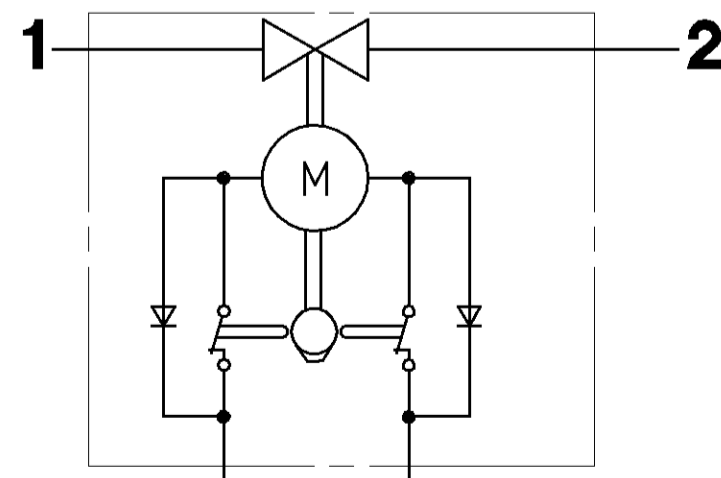
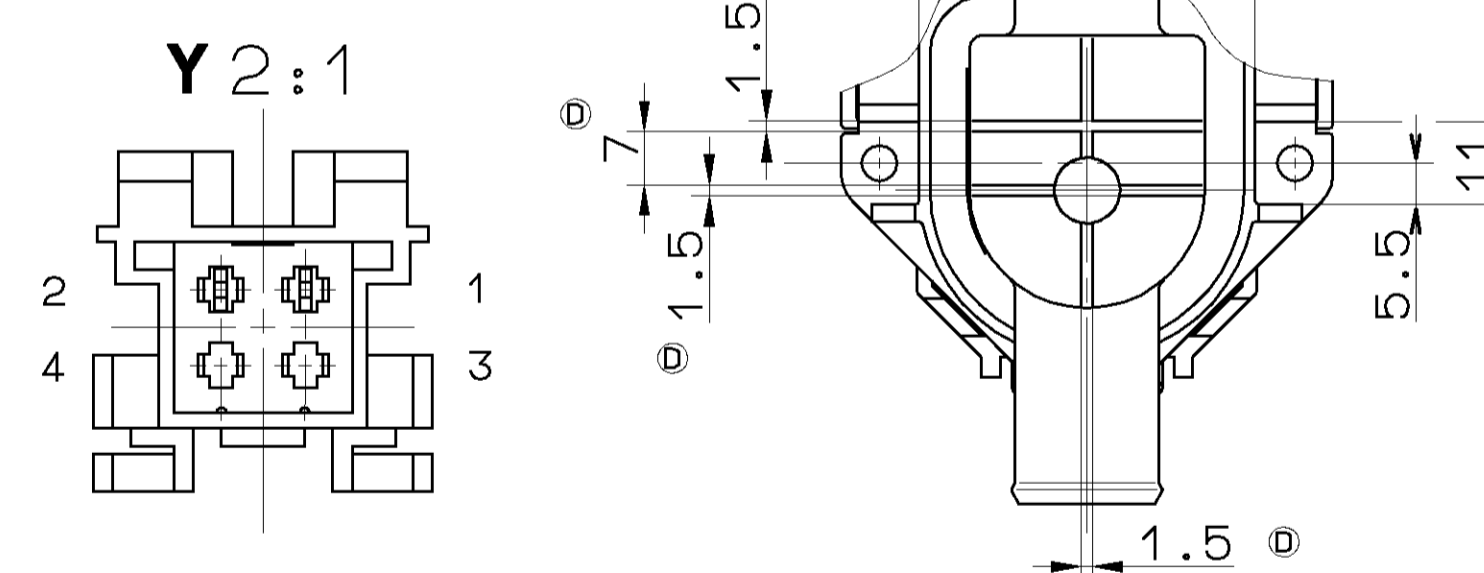
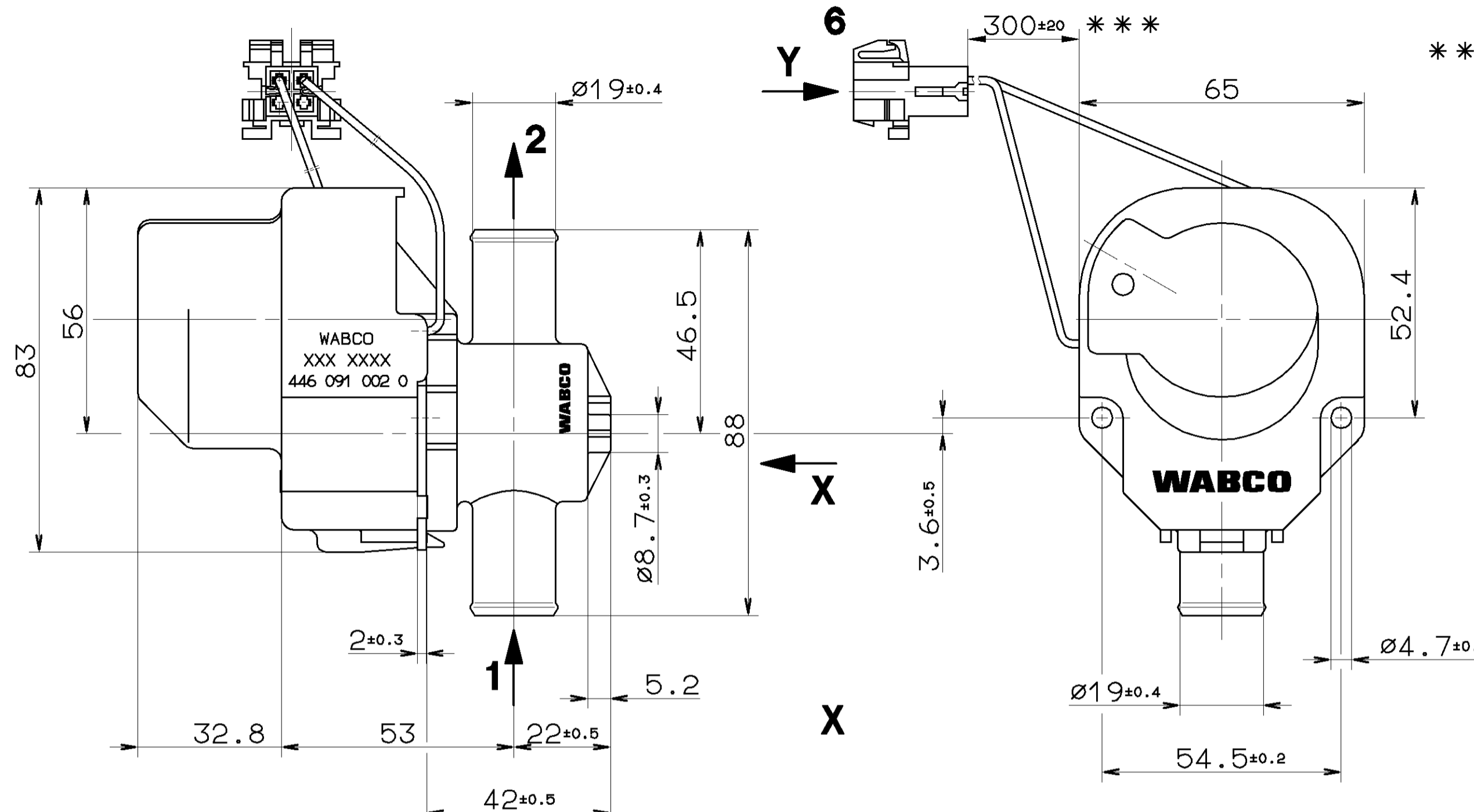


NON È PERMESSO CONSERVARE A TERZI O RIPRODURRE QUESTO DOCUMENTO. NE UTILIZZARE IL CONTENUTO O RES-  
 TARE I DIRITTI DI PROPRIETÀ IN QUALSIASI MODO. TUTTI I DIRITTI RISERVATI. E' FATTA RISERVA SU TUTTI I DIRITTI RISERVATI DA  
 BREVETTI O MODELLI.  
 COPIING OF THIS DOCUMENT AND GIVING IT TO OTHERS AND THE USE OF COMMUNICATION OF THE CONTENTS THEREOF,  
 WITHOUT THE WRITTEN PERMISSION OF WABCO, IS PROHIBITED. ALL RIGHTS ARE RESERVED IN THE EVENT OF THE  
 ABUSE AND RESULT IN A LIABILITY TO THE PAYMENT OF DAMAGES. ALL RIGHTS ARE RESERVED IN THE EVENT OF THE  
 GRANT OF PATENT OR REGISTRATION OF A UTILITY MODEL OR DESIGN. THIS DOCUMENT IS THE SUBJECT OF COPYRIGHT.  
 TOUTE COMMUNICATION OU REPRODUCTION DE CE DOCUMENT, TOUTE EXPLOITATION OU COMMUNICATION DE SON CONTE-  
 NUT, SANS LE PERMIS ECRIT DE WABCO, EST PROHIBEE. TOUS DROITS DE PROPRIETE  
 INDUSTRIELLE RESERVEES. NOTAMMENT EN MATIERE DE BREVETS ET DE MODELES.  
 WEITERGABE SOWIE VERWERTUNG ODER NACHVERWERTUNG UNTER AUSSCHLIESSLICHKEIT VON WABCO IST VERBODEN. ALLE RECHTE FÜR DEN FALL DER PATENTIERUNG ODER  
 NACHVERWERTUNG VON NUTZMUSTERN SIND VORBEHALTEN. ALLE RECHTE FÜR DEN FALL DER PATENTIERUNG ODER  
 GEBRAUCHSREGISTER-EINTRAGUNG VORBEHALTEN.



|                      |   |   |
|----------------------|---|---|
| VENTIL OEFFNEN *     | + | - |
| VENTIL SCHLIESSEN ** | - | + |

- 1** INFLOW  
ZUFLUSS  
AFFLUX  
AFFLUSSO
- 2** OUTFLOW  
ABFLUSS  
SORTIE  
DEFLUSSO
- 6** ELECTRIC TERMINALS  
ELEKTRISCHE ANSCHLUESSE  
BORNEE ELECTRIQUES  
MORSETTI ELETTRICI

DEVELOPED LENGTH  
GESTRECKTE LAENGE  
LONGUEUR DEVELOPEE  
LUNGHEZZA DELLO SVILUPPO

AMBIENT TEMPERATURE :  
UMGEBUNGS TEMPERATUR : -40° ... +80° C  
TEMPERATURE AMBIANTE :  
TEMPERATURA AMBIENTE :

PROTECTION CLASS :  
SCHUTZKLASSE : III  
CLASSE DE PROTECTION :  
CLASSE DI PROTEZIONE :

TYPE OF PROTECTION ACCORD TO IEC 529 :  
SCHUTZART NACH IEC 529 : IP 54  
MODE DE PROTECTION SUIVANT IEC 529 :  
TIPO DI PROTEZIONE SECONDO IEC 529 :

MEDIUM : ANTI-FREEZE-WATER-MIXTURE  
MEDIUM : FROSTSCHUTZMITTEL-WASSER-GEMISCH } MAX. 1:1  
FLUIDE : ANTIGEL-EAU-MELANGE  
FLUIDO : ANTIGELO-AQUA-MISCELA

MEDIUM TEMPERATURE :  
MEDIUMTEMPERATUR : -40° ... +120° C  
TEMPERATURE DU FLUIDE :  
TEMPERATURA DEL FLUIDO :

PERMISSIBLE EXCESS PRESSURE :  
ZULAESSIGER UEBERDRUCK : MAX. 2 bar  
ADMISSIBLE SURPRESSION :  
AMMISSIBLE SURPRESSIONE MANOMETRICA :

FLOW RATE :  
DURCHFLOESMENGE : MAX. 1400 l/h Δp=0.02 bar  
DEBIT :  
PORTATA :

NOMINAL CURRENT :  
NENNSTROM : I<sub>n</sub>(M<sub>n</sub>, U<sub>n</sub>) ≤ 100 mA  
COURANT NOMINAL : I<sub>max</sub> = 150 mA  
CORRENTE NOMINALE :

OPERATING VOLTAGE :  
BETRIEBSSPANNUNG : 24%V; 20% ED  
TENSIONE DE SERVICE : 26%V; 15% ED  
TENSIONE DI SERVIZIO :

\* OPEN  
OFFEN  
OUVERT  
APERTO  
  
\*\* CLOSED  
GESCHLOSSEN  
FERME  
CHIUDATO

|   |  |  |                              |  |                            |  |
|---|--|--|------------------------------|--|----------------------------|--|
| GENERAL SPECIFICATION: JED-334                |  |  | CADAM-DRAWING COPYRIGHT      |  | <b>WABCO</b>               |  |
| FURTHER TECHNICAL DATA:                       |  |  | DATE: _____ SIGNATURE: _____ |  | DRAWN: _____               |  |
| DOC. CODE: _____ SHEET: _____ TO _____        |  |  | 93-02-02 KNOKE               |  | CHECKED: _____             |  |
| GENERAL TOLERANCES                            |  |  | 93-02-02 TEICHMANN           |  | STANDARDIZATION: _____     |  |
| CLASS 1) RANGE OF NOMINAL DIMENSIONS ( ± mm ) |  |  | 93-05-27 PANTZER             |  | PRODUCT IDENTIFICATION NO. |  |
| FINE  |  |  | 065107 4×D 97-10-30          |  | MASS                       |  |
| > 50 ≤180 ≤400 >400                           |  |  | 062754 3×C 97-07-18          |  | SCALE 1:1 (2:1)            |  |
| MEDIUM  |  |  | 058356 2×B 95-11-17          |  | 0.23 KG                    |  |
| COARSE  |  |  | 054889 6×A 94-09-23          |  | SIZE T.R.I.                |  |
| TAPPED HOLES ACC. ISO 4039 / JED-182          |  |  | DCN-NO. REV. DATE            |  | 446 091 002 0              |  |
| 1) TOLERANCE CLASS APPLIED CROSSMARKED        |  |  | A 2 142                      |  | DOC. CODE SHEET            |  |
|   |  |  |                              |  | 605 1/1                    |  |
|   |  |  |                              |  | REPLACEMENT FOR            |  |
|   |  |  |                              |  | SHAPE CODE                 |  |
|   |  |  |                              |  | EXPERT CODE 781            |  |
|   |  |  |                              |  | PRODUCT TYPE 02X           |  |