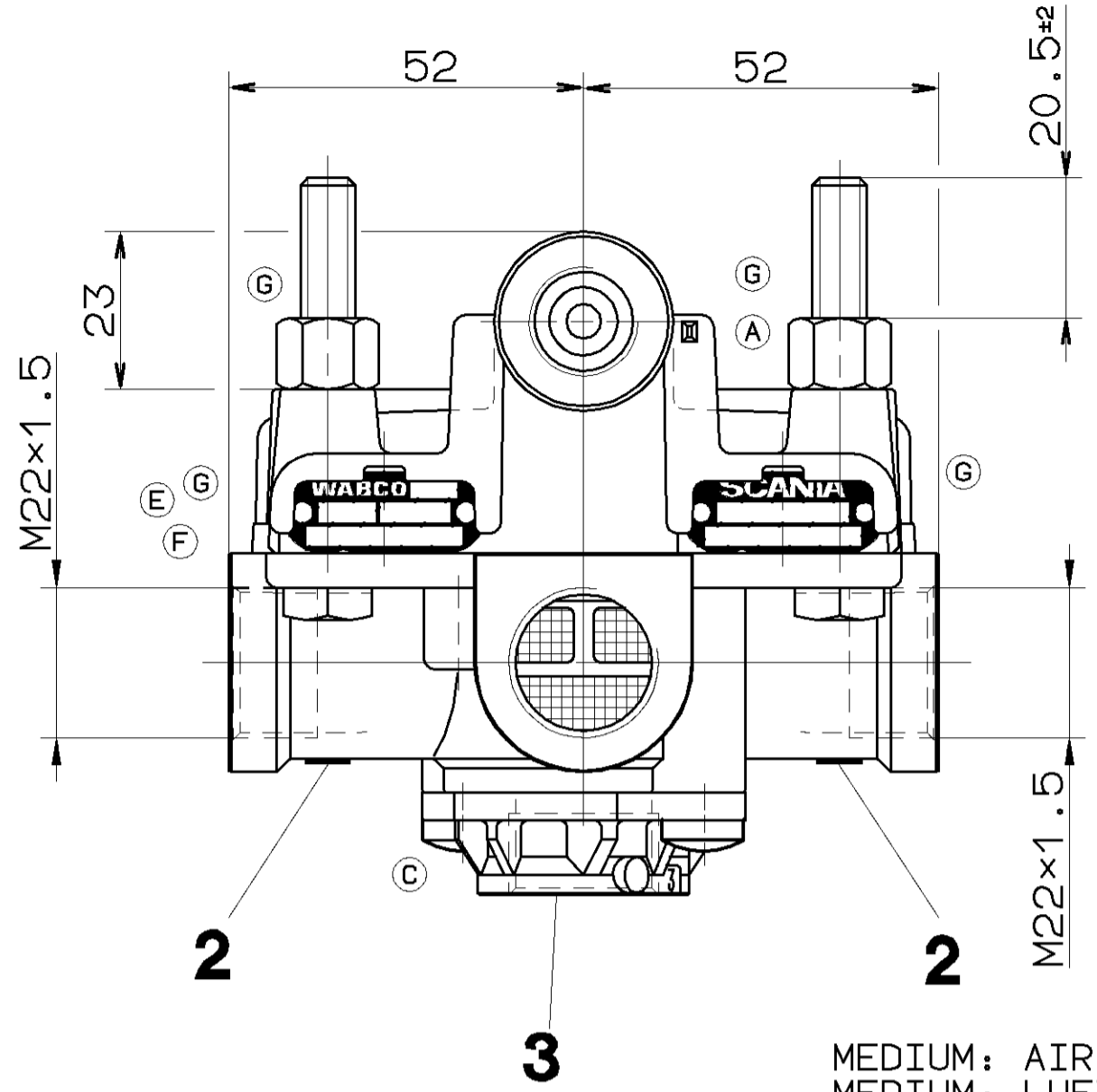
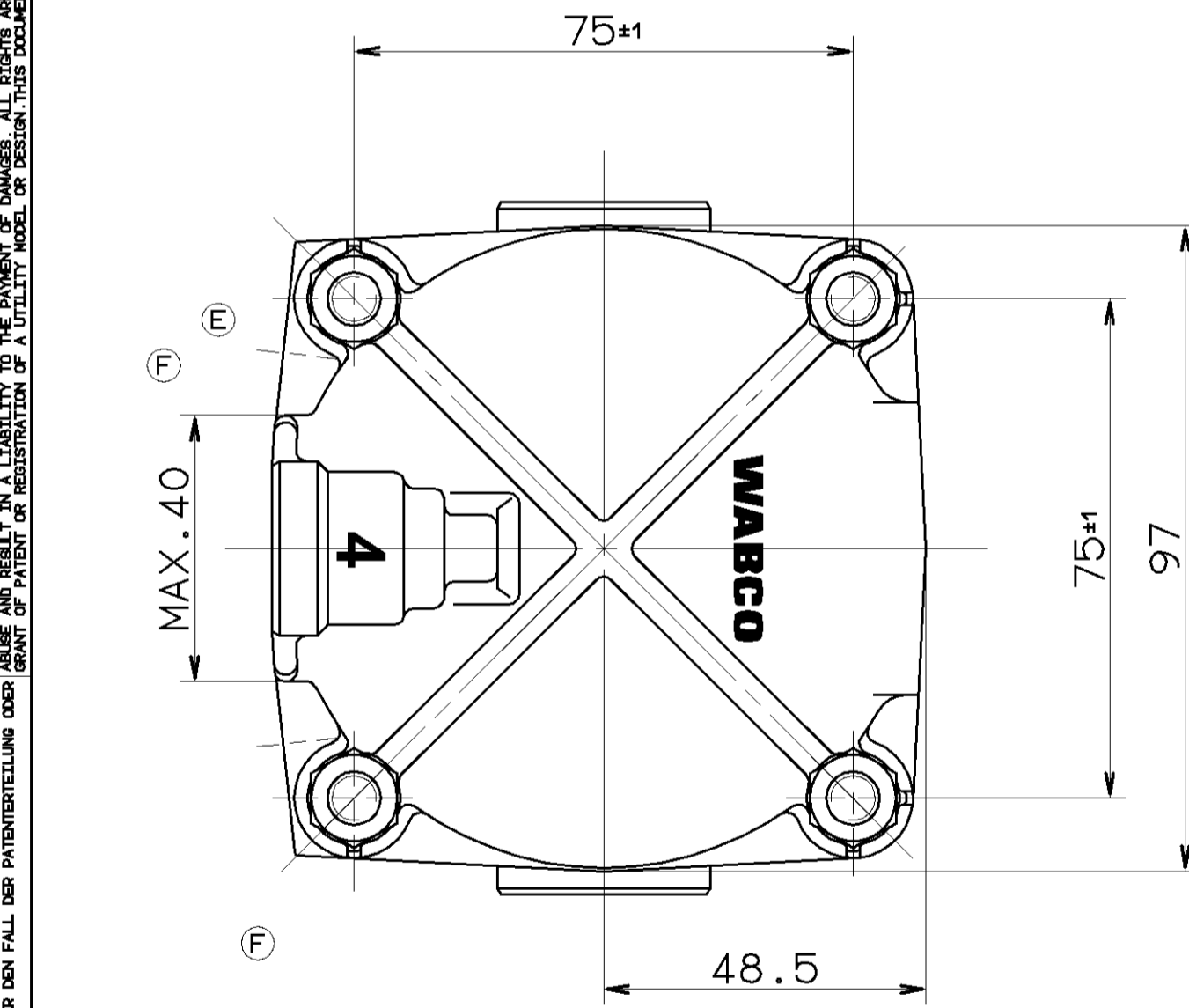
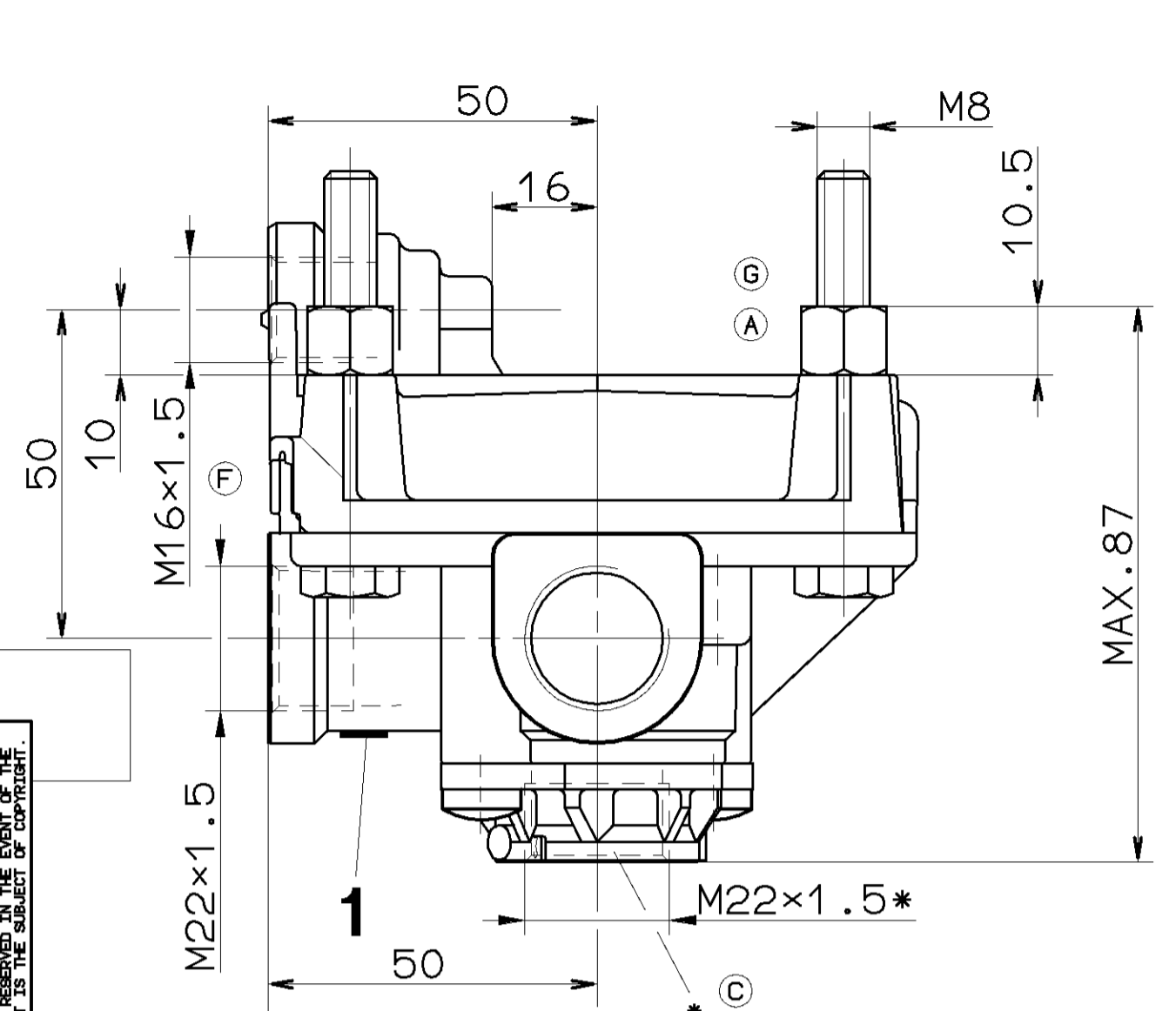


NON È PERMESSO CONSERVARE A TERZI O RIPRODURRE QUESTO DOCUMENTO. NE UTILIZZARE IL CONTENUTO O RES-
 ABBIO E CONSERVARE IL RESGAMENTO DEL DANNO SUBITO. È FATTA RISERVA DA TUTTI I DIRITTI DERIVANTI DA
 BREVETTI O MODELLI.
 COPIING OF THIS DOCUMENT AND GIVING IT TO OTHERS AND THE USE OF COMMUNICATION OF THE CONTENTS THEREOF,
 WITHOUT THE WRITTEN PERMISSION OF WABCO, IS PROHIBITED. WABCO ASSUMES NO LIABILITY FOR DAMAGES OF ANY KIND
 ARISING FROM THE USE OF THIS DOCUMENT. ALL RIGHTS ARE RESERVED IN THE EVENT OF THE
 GRANT OF PATENT OR REGISTRATION OF A UTILITY MODEL OR DESIGN.
 THIS DOCUMENT IS THE SUBJECT OF COPYRIGHT.



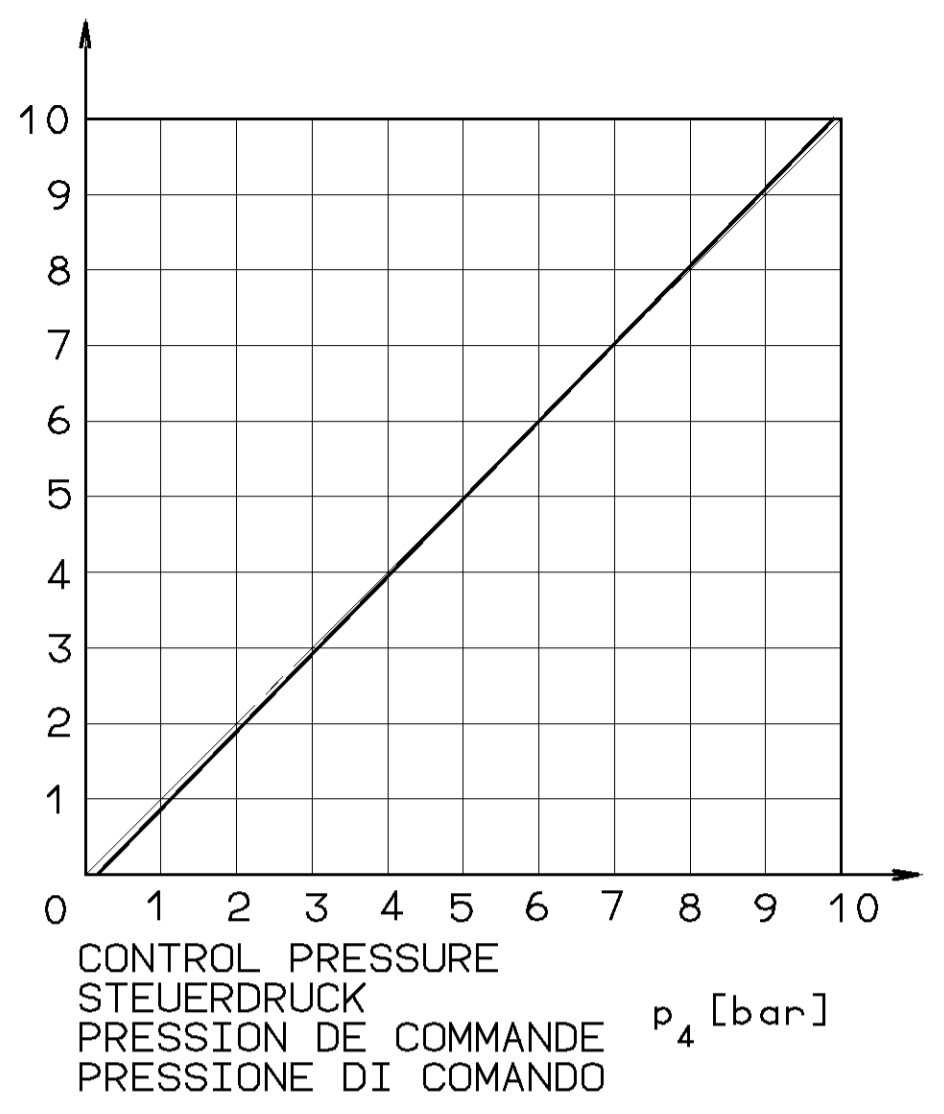
- 1** SUPPLY
VORRAT
ALIMENTATION
ALIMENTAZIONE
- 2** DELIVERY PRESSURE
AUSGESTEUERTER DRUCK
PRESSION DELIVREE
PRESSIONE EROGATA
- 3** EXHAUST
ENTLUEFTUNG
ECHAPPEMENT
SCARICO
- 4** CONTROL PRESSURE
STEUERDRUCK
PRESSION DE COMMANDE
PRESSIONE DI COMANDO

MEDIUM: AIR
 MEDIUM: LUFT
 FLUIDE: AIR
 FLUIDO: ARIA

WORKING PRESSURE:
 BETRIEBSDRUCK: MAX. p_e = 10 bar
 PRESSION DE SERVICE:
 PRESSIONE D'ESERCIZIO:

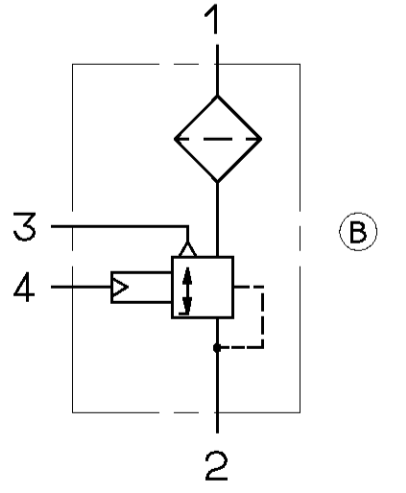
SUPPLY PRESSURE:
 VORRATSDRUCK: MAX. p_e = 13 bar
 PRESSION D'ALIMENTATION:
 PRESSIONE DI ALIMENTAZIONE:

PERMISSIBLE INSTALLATION
 ZULAESSIGE EINBAULAGE ±90°
 POSITION D'INSTALLATION ADMISE
 POSIZIONE DI MONTAGGIO AMMESSA



THERMAL RANGE OF APPLICATION:
 THERMISCHER ANWENDUNGSBEREICH: -40° ... +80° C
 GAMME D'APPLICATION THERMIQUE:
 CAMPO DI APPLICAZIONE TERMICA:

TORQUE FOR CONNECTIONS:
 ANZUGSMOMENT FUER EINSCHRAUBSTUTZEN: M16x1.5: M_{max.} = 34 Nm
 COUPLE DE SERRAGE DES RACCORDS: M22x1.5: M_{max.} = 53 Nm
 COPPIA DI SERRAGGIO DEI RACCORDI: * M22x1.5: M_{max.} = 25 Nm



GENERAL SPECIFICATION: JED-334		CADAM-DRAWING COPYRIGHT		WABCO	
FURTHER TECHNICAL DATA:		DATE: 90-01-16		SIGNATURE: BRINK/ME.	
DOC. CODE: SHEET: TO:		DRAWN: 90-01-17		CHECKED: KIEL/DEI.	
GENERAL TOLERANCES		STANDARDIZATION: 90-01-17		THIELE	
CLASS 1)	RANGE OF NOMINAL DIMENSIONS (± mm)			MASS: 0.6 KG	
	≤50	>50 ≤180	>180 ≤400	>400	SCALE: 1:1 (2:1)
FINE	0,5	1,0	1,5	2,0	PRODUCT IDENTIFICATION NO.: 973 011 002 0
MEDIUM X	1,0	2,0	3,0	4,0	
COARSE	2,0	3,5	5,0	6,5	DOC. CODE: 605
TAPPED HOLES ACC. ISO 4039 / JED-182		045413 2× A 90-03-06		SHEET: 1/1	
1) TOLERANCE CLASS APPLIED CROSSMARKED		DCN-NO. REV. DATE		REPLACEMENT FOR	

1899/012/204_93 605/603