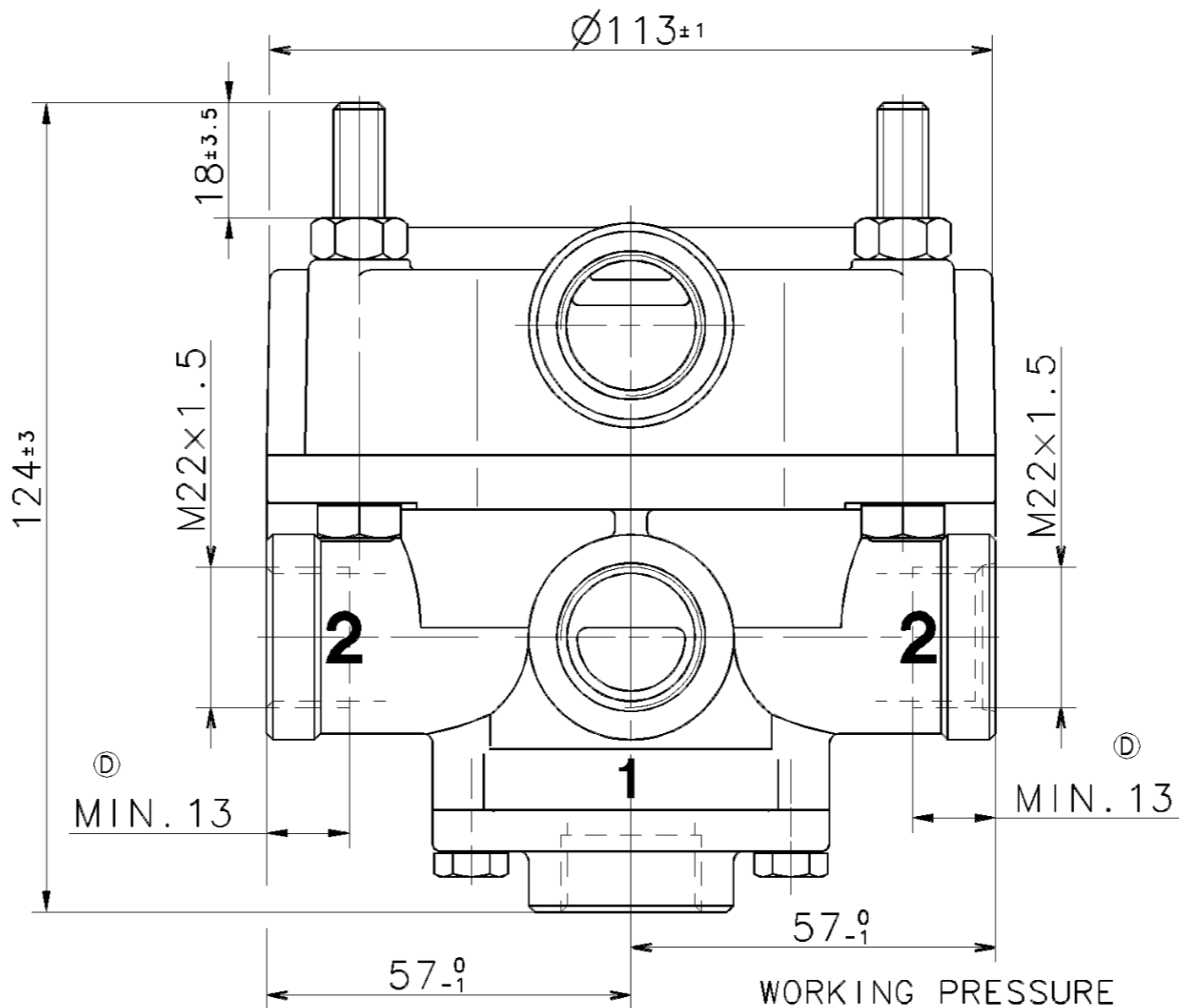
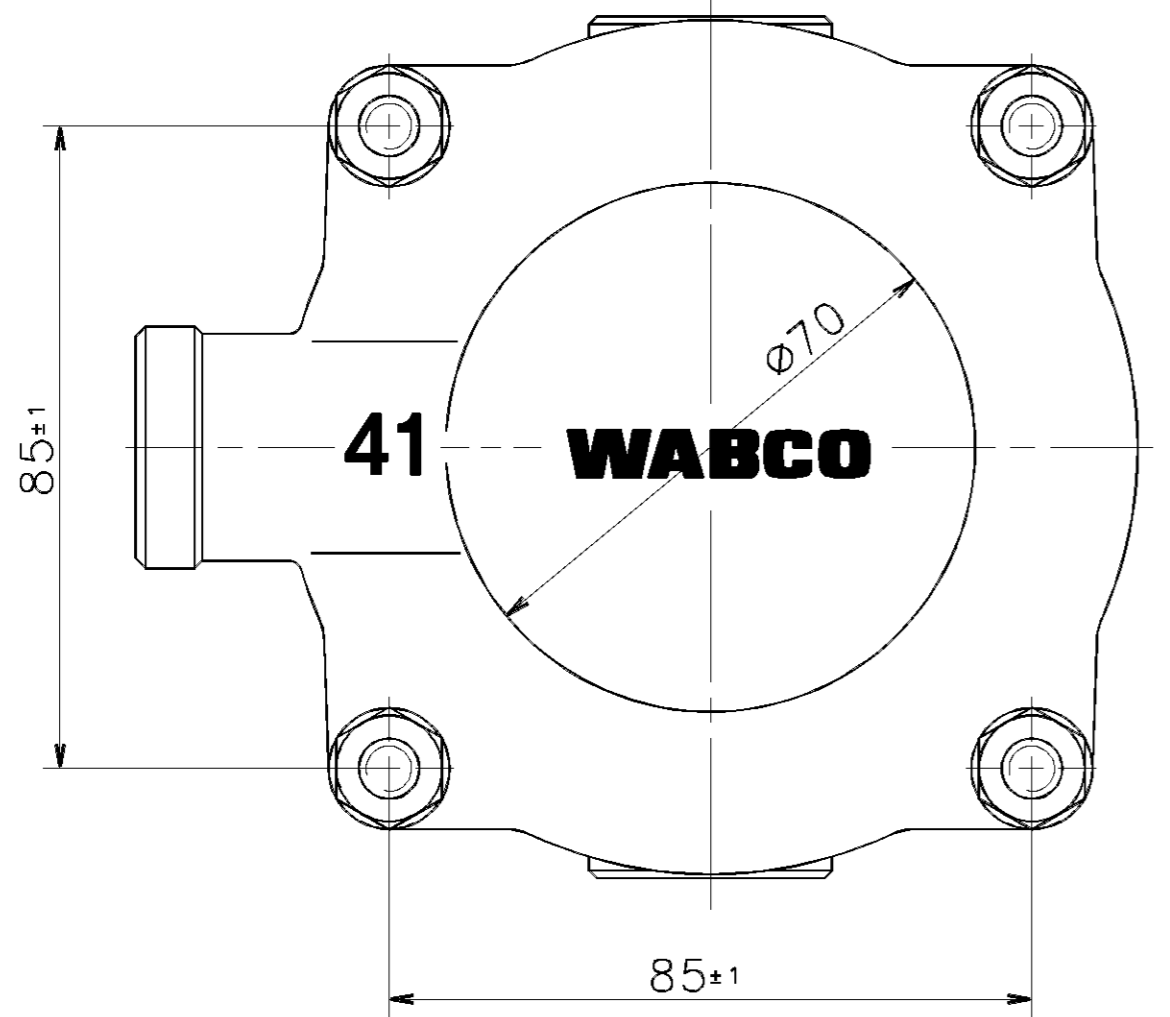
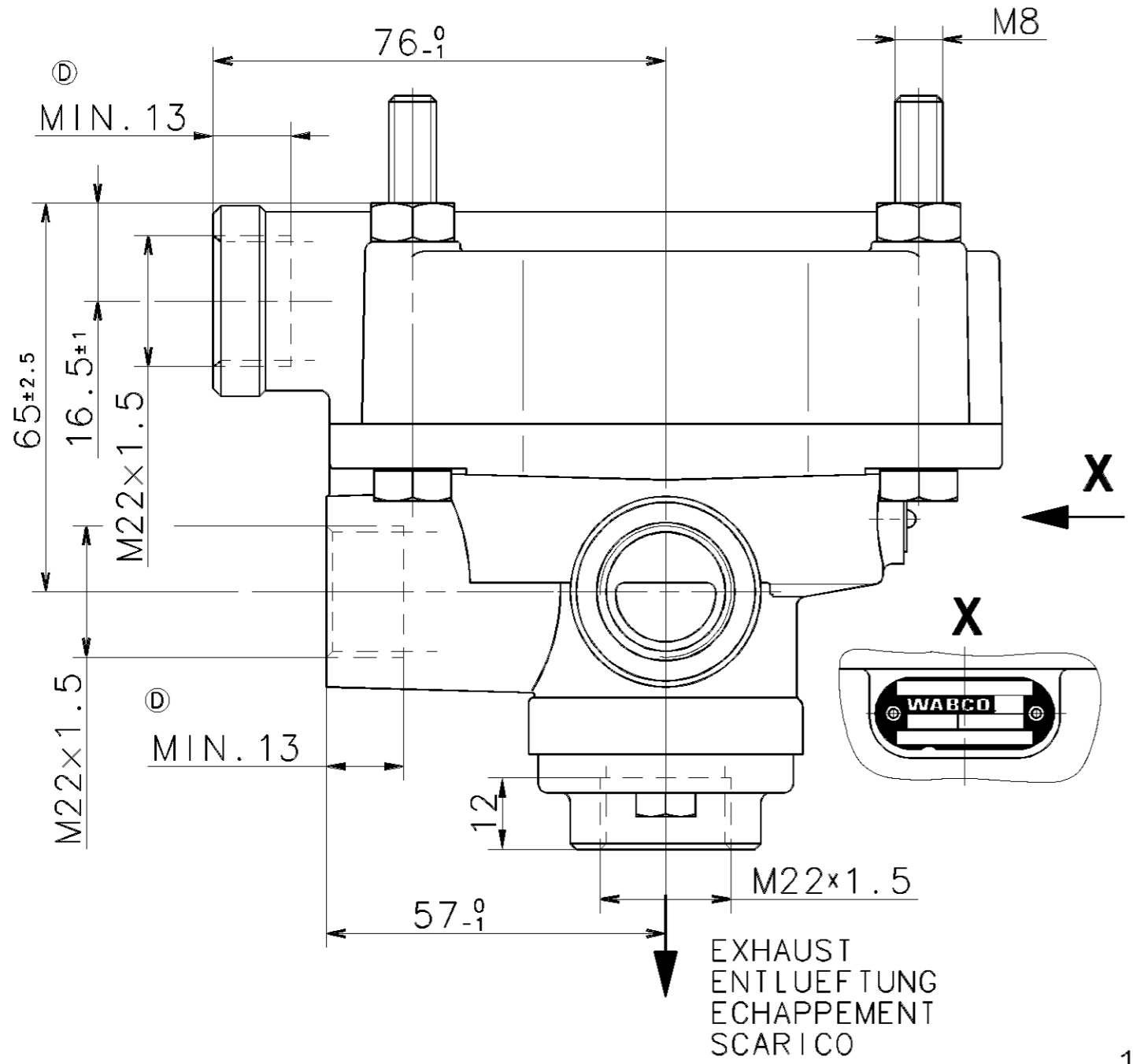
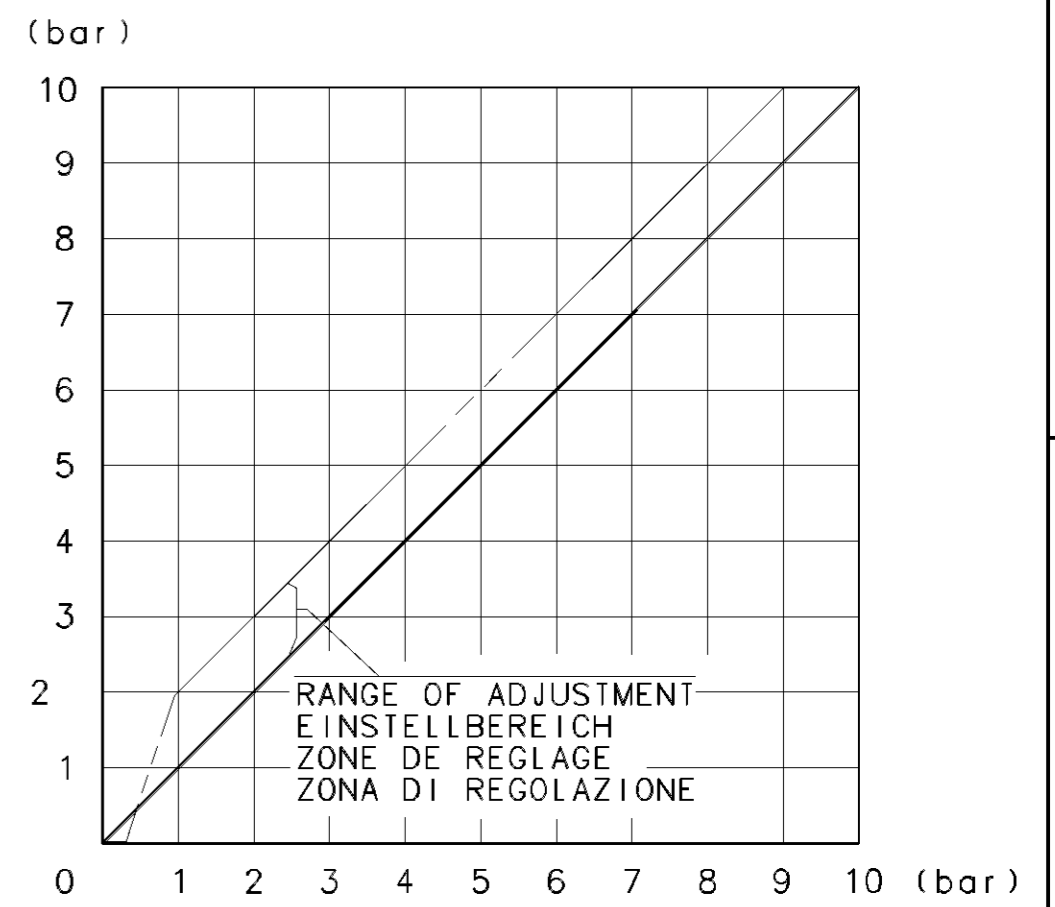


NON È PERMESSO CONCESSIONE A TERZI O RIPRODURRE QUESTO DOCUMENTO. NE UTILIZZARNE IL CONTENUTO O RENDERSI RESPONSABILI PER QUALSIASI DANNI SUBITI. È FATTA RISERVA DI TUTTI I DIRITTI DERIVANTI DA BREVETTI O MODELLI.  
 COPIING OF THIS DOCUMENT AND ITS USE OR COMMUNICATION OF ITS CONTENTS THEREOF, WITHOUT THE WRITTEN PERMISSION OF WABCO, IS PROHIBITED. ALL RIGHTS ARE RESERVED IN THE EVENT OF THE ABUSE AND RESULT IN A LIABILITY TO THE PAYMENT OF DAMAGES. A GRANT OF PATENT OR REGISTRATION OF A UTILITY MODEL OR DESIGN, THIS DOCUMENT IS THE SUBJECT OF COPYRIGHT.  
 TOUPE COMMUNICATION OU REPRODUCTION DE CE DOCUMENT, TOUTE EXPLOITATION OU COMMUNICATION DE SON CONTENU, SANS LE CONSENTEMENT ÉCRIT DE WABCO, EST INTERDITE. TOUS DROITS DE PROPRIÉTÉ INDUSTRIELLE RÉSERVÉS, NOTAMMENT EN MATIÈRE DE BREVETS ET DE MODÈLES.  
 WELLEGABE SOWIE VERWEIFELTUNG DIESER UNTERLAGE, WERBUNG UND MITTEILUNG IHRES INHALTS NICHT OHNE SCHRIFTLICHE ZULASSUNG VON WABCO. ALLE RECHTE WERDEN FÜR DEN FALL DER PATENTIERUNG ODER GEBRAUCHSMUSTER-EINTRAGUNG VORBEHALTEN.



OUTLET PRESSURE  
 AUSGESTEUERTER DRUCK  
 PRESSIONE DE SORTIE pe2  
 PRESSIONE DI USCITA



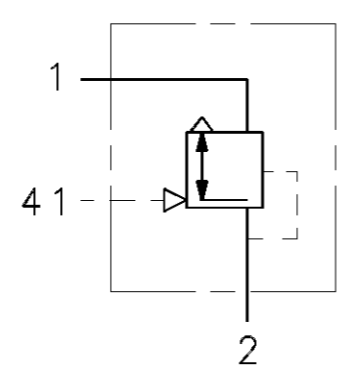
INLET PRESSURE  
 EINGESTEUERTER DRUCK  
 PRESSION D'ALIMENTATION pe41  
 PRESSIONE DI ALIMENTAZIONE

- 1 SUPPLY VORRAT ALIMENTATION (pe 1) ALIMENTAZIONE
- 2 OUTLET PRESSURE AUSGESTEUERTER DRUCK PRESSION DE SORTIE PRESSIONE EROGATA (pe 2)
- 4 1 CONTROL PRESSURE STEUERDRUCK PRESSION DE COMMANDE PRESSIONE DI COMANDO (pe 41)

WORKING PRESSURE : \*pe1=10 bar ; \*\*pe1=12,5 bar  
 BETRIEBSDRUCK :  
 PRESSION DE SERVICE : pe41=10 bar  
 PRESSIONE DI SERVIZIO:  
 PERMISSIBLE PRESSURE : pe1 =MAX. 14 bar TEMPORARILY  
 ZULAESSIGER DRUCK : KURZZEITIG  
 PRESSION ADMISSIBLE : pe41=MAX. 12 bar DE COURTE DUREE  
 PRESSIONE AMMISSIBILE : BREVE TEMPO SOLO

\* THERMAL RANGE OF APPLICATION:  
 THERMISCHER ANWENDUNGSBEREICH: -40°C...+80°C  
 APPLICATION THERMIQUE:  
 CAMPO DI APPLICAZIONE TERMICA:  
 \*\* THERMAL RANGE OF APPLICATION:  
 THERMISCHER ANWENDUNGSBEREICH: -30°C...+80°C  
 APPLICATION THERMIQUE:  
 CAMPO DI APPLICAZIONE TERMICA:

MEDIUM: AIR  
 MEDIUM: LUFT  
 FLUIDE: AIR  
 FLUIDO: ARIA



INSTALLATION POSITION: EXHAUST SHOWN AT BASE (AXIS CENTRE OF THE DEVICE DEVIATES MAX 90° FROM VERTICAL)  
 EINBAULAGE: ENTLUEFTUNG NACH UNTEN (MITTELACHSE DES GERÄTES MAX 90° VON DER SENKRECHTEN ABWEICHEND)  
 POSITION D'INSTALLATION: ECHAPPEMENT VERS LE BAS (ÉCART DE L'AXE MEDIAN DE L'APPAREIL PAR RAPPORT A LA VERTICALE: 90° MAX.)  
 POSIZIONE DI MONTAGGIO: SCARICO VERSO IL BASSO (DEVIAZIONE ASSE APPARECCHIO RISPETTO ALLA VERTICALE: MAX.90°)

GENERAL SPECIFICATION: JED-334		CADAM-DRAWING COPYRIGHT		<b>WABCO</b>	
FURTHER TECHNICAL DATA:		DATE: 00-04-19		DRAWN: MEINKING	
DOC. CODE: SHEET: TO		SIGNATURE:		CHECKED: 00-04-19 FABIAN	
GENERAL TOLERANCES		STANDARDIZATION:		PRODUCT IDENTIFICATION NO. 973 003 002 0	
CLASS 1)	RANGE OF NOMINAL DIMENSIONS ( ± mm )	MASS 1.2 KG	SCALE 1:1	DOC. CODE 605	SHEET 1/1
FINE	≤50 >50 ≤180 >180 ≤400 >400	SIZE	T.R.I.	REPLACEMENT FOR 973 003 002 0 OF 86-09-25	
MEDIUM	± 3'	TAPPED HOLES ACC. ISO 4039 / JED-152		SHAPE CODE	
COARSE		083220 4xD 02-04-22		REPLACEMENT FOR 973 003 002 0 OF 86-09-25	
		069798 1xC 00-08-09		EXPERT CODE 2 2 2	
		059697 1xB 00-04-19		PRODUCT TYPE 0 0 X	
1) TOLERANCE CLASS APPLIED CROSSMARKED		DCN-NO. REV. DATE			

1609/012/3/04-.93 605.653