

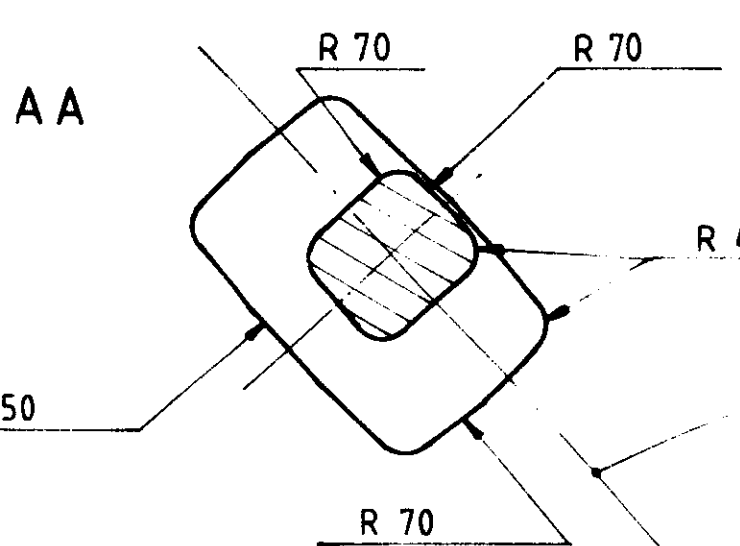
-COLOUR
-FARBE
-COULEUR
-COLORE

7007

-SURFACE APPEARANCE
-OBERFLÄCHENANBLICK
-ASPECT DE SURFACE
-ASPETTO DI SUPERFICIE

DBL 5300.35
Rz = 9-13 µm

-SECTION
-SCHNITT
-COUPE
-SEZIONE



-TRAVELLING POSITION
-FAHRSTELLUNG
-POSITION ROUTE
-POSIZIONE DI MARCIA

-AUTOMATIC RETURN
-AUTOMATISCHER RUECKLAUF
-RETOUR AUTOMATIQUE
-RITORNO AUTOMATICO

-PARKING POSITION
-RASTSTELLUNG
-POSITION PARKING
-POSIZIONE DI STAZIONAMENTO

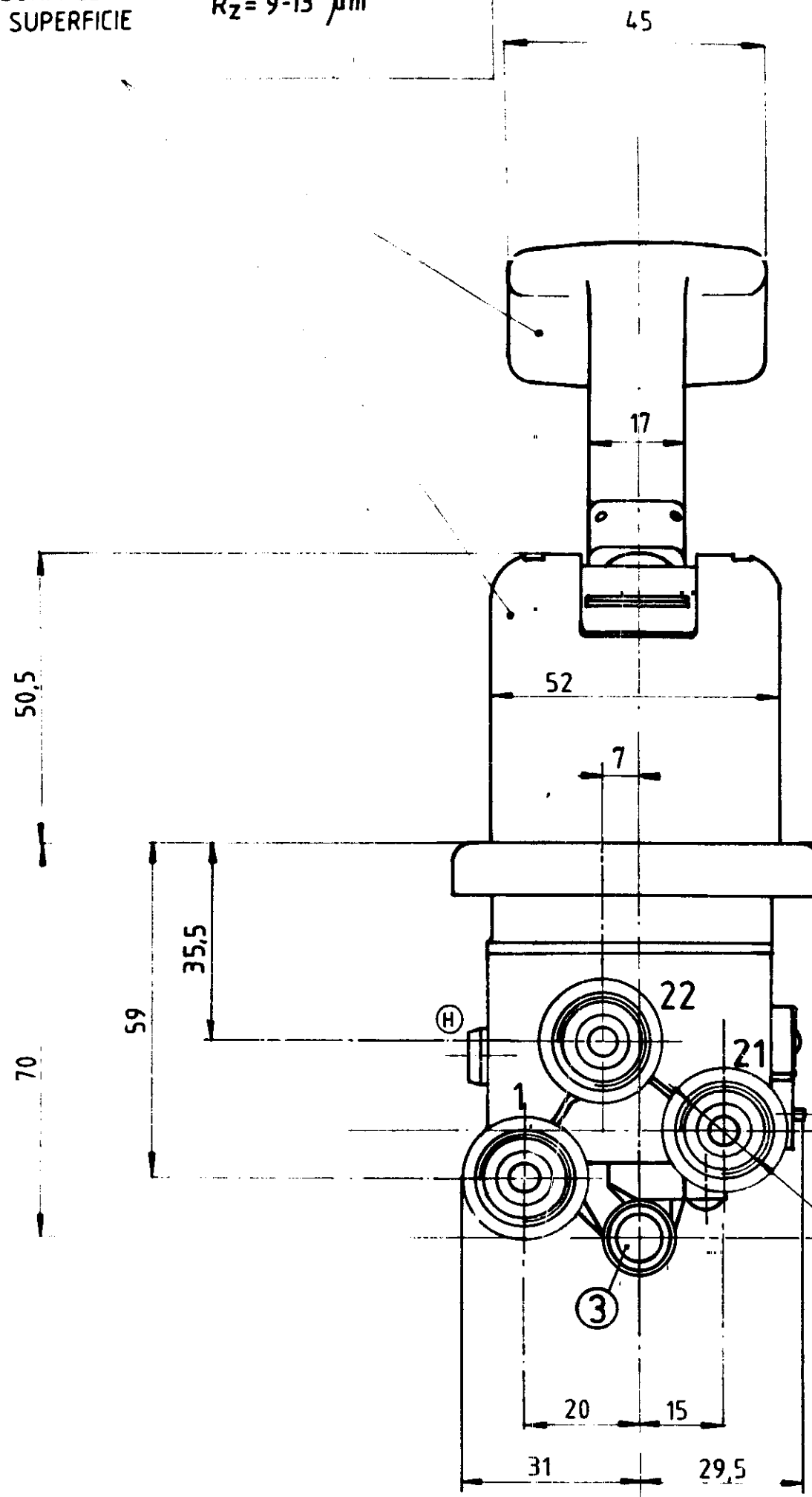
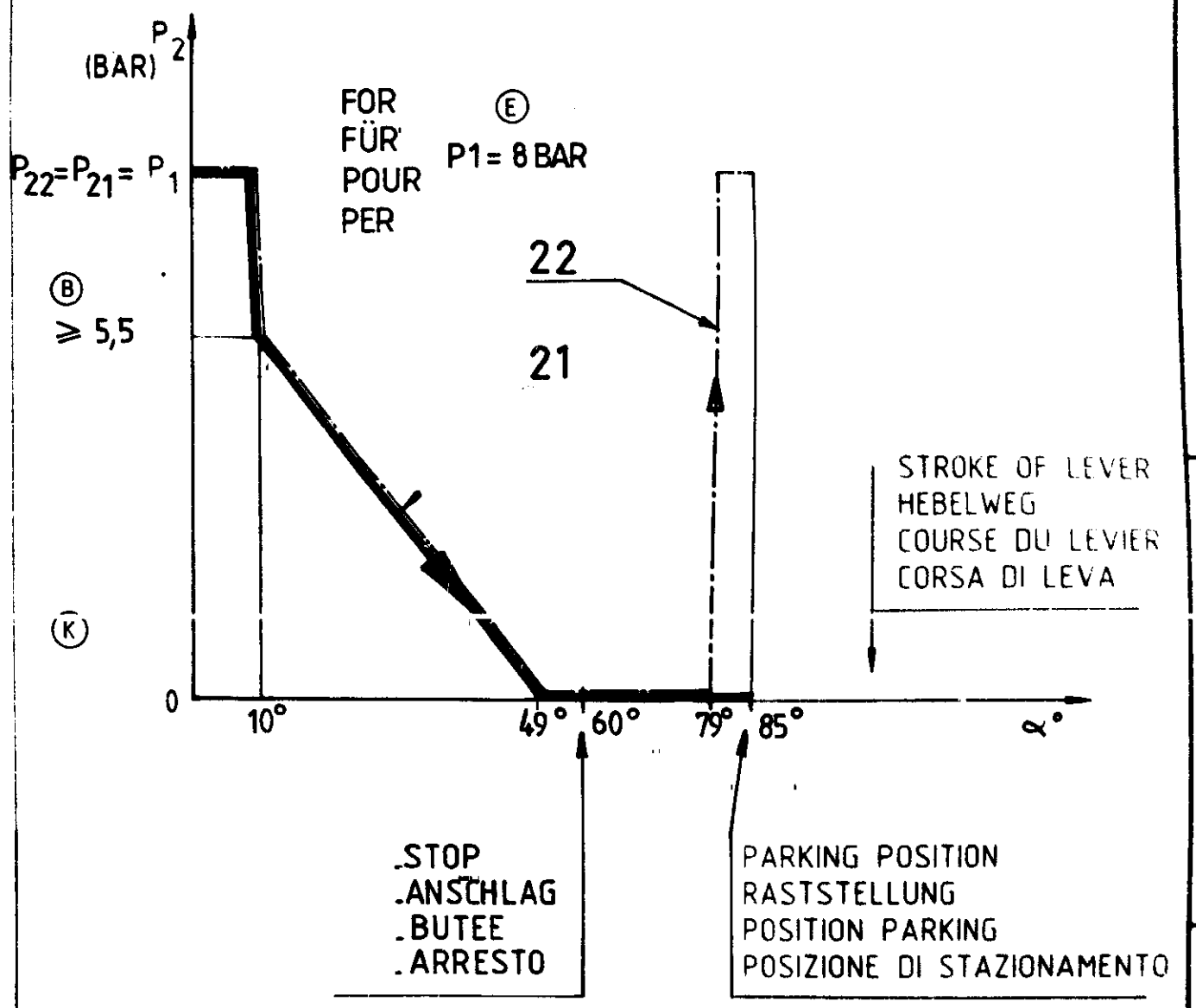
STOP
ANSCLAG
BUTEE
ARRESTO

TORQUE
-ANZUGSMOMENT
-COUPLE DE SERRAGE
-COPPIA DI SERRAGGIO

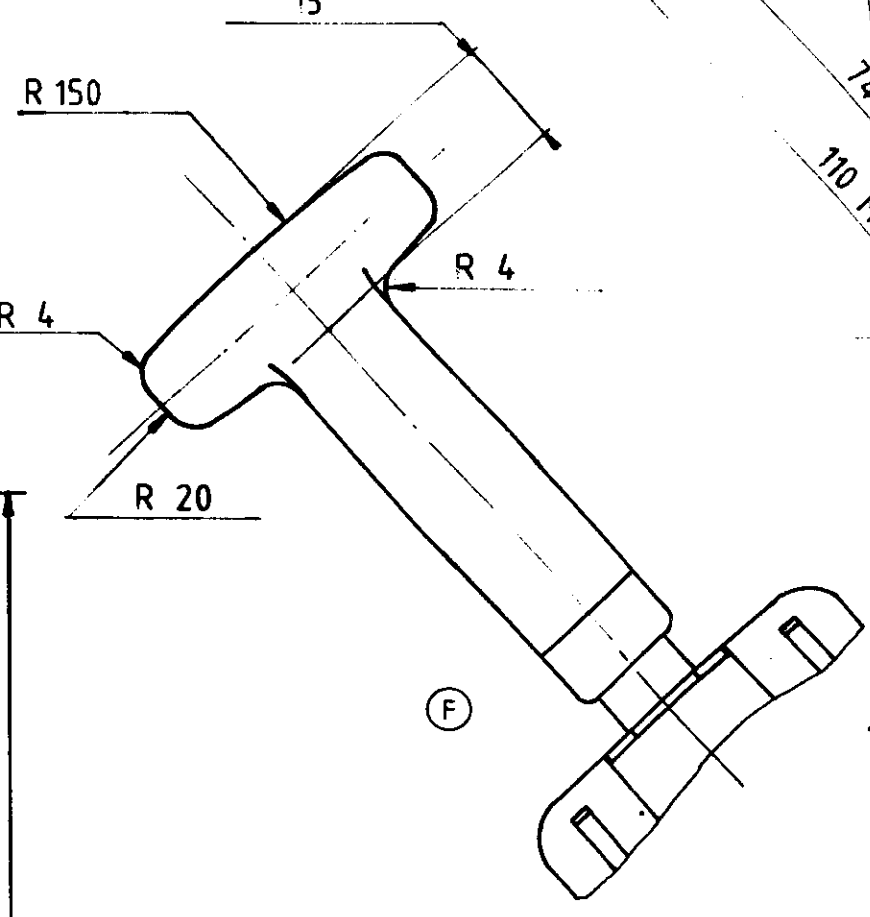
10 Nm MAX.

3 x M16x1,50
JED 388
TORQUE
ANZUGSMOMENT
COUPLE DE SERRAGE
COPPIA DI SERRAGGIO

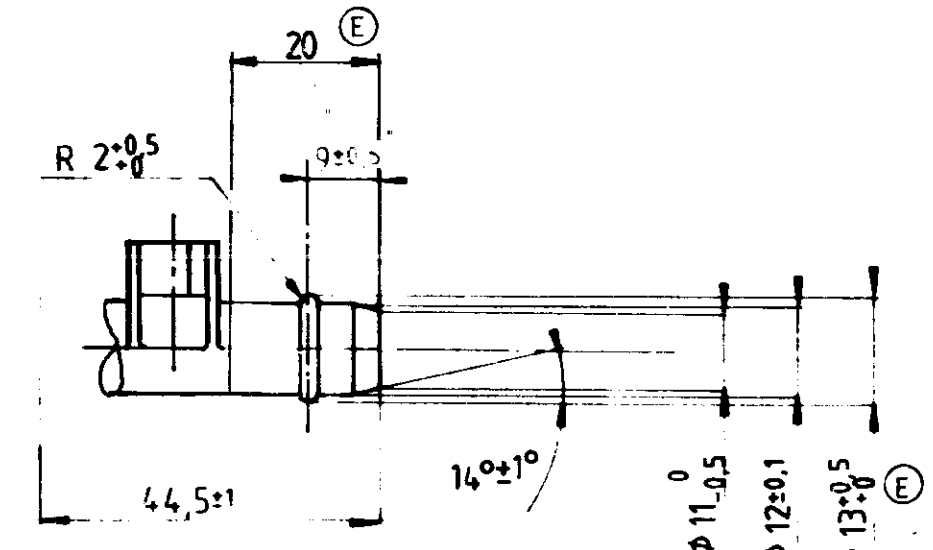
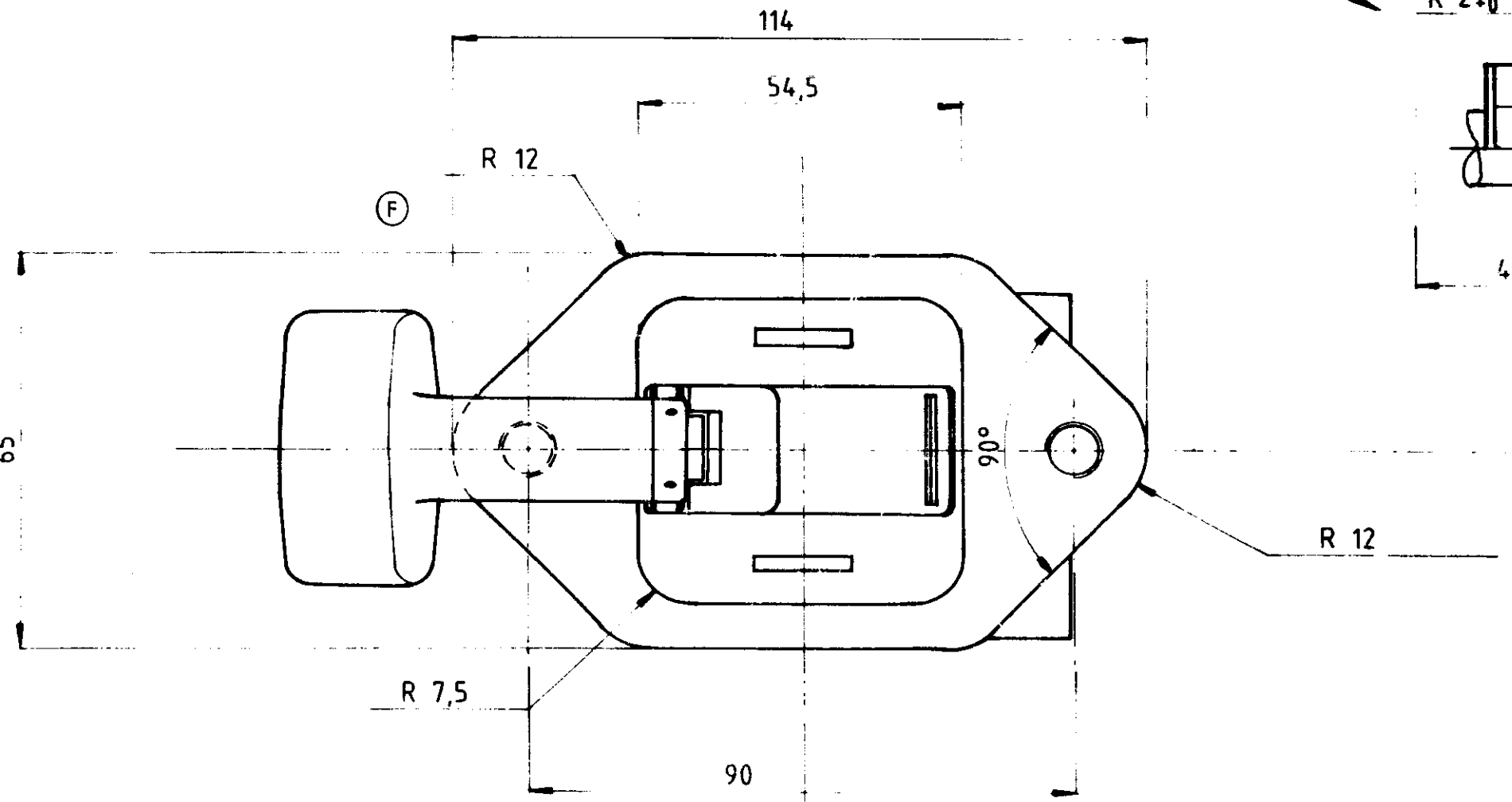
34 Nm MAX.



VIEW ANSICHT
VUE
VISTA

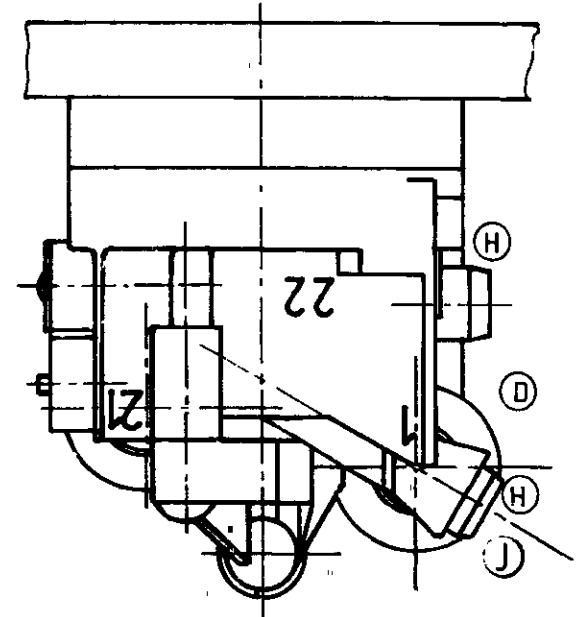


VIEW ANSICHT
VUE
VISTA



A 11 DIN 74 325

VIEW ANSICHT
VUE
VISTA



SHORT TERM RESISTANCE TO HEAT
KURZZEITIGE WÄRMEBESTÄNDIGKEIT
RESISTANCE A LA CHALEUR A COURTE DUREE
RESISTANZA AL CALORE BREVE TEMPO SOLO

MAX. 200h. +90°C

- 1 SUPPLY
VORRAT
ALIMENTATION
ALIMENTAZIONE
- 21 SPRING BRAKE CYLINDER
FEDERSPEICHERZYLINDER
CYLINDRE A RESSORT
CILINDRO A MOLLA
- 22 TRAILER CONTROL VALVE
ANHAENGER STEUERVENTIL
VALVE DE CONTROLE DE REMORQUE
VALVOLA DI CONTROLLO DI RIMORCHIO
- 3 EXHAUST
ENTLUEFTUNG
ECHAPPEMENT
SCARICO

MEDIUM : AIR
MEDIUM : LUFT
FLUIDE : AIR
FLUIDO : ARIA

THERMICAL RANGE
THERMISCHER ANWENDUNGSBEREICH
TEMPERATURE D'UTILISATION
TEMPERATURA DI UTILIZZAZIONE

-40°C.....+80°C

⑤ P₁ = 10 BAR MAX.

FURTHER TECHNICAL DATA SEE		92 101	1 = 9204.02	COPYRIGHT BY WABCO	
IDENTIFICATION No	605	90 019	2 x 881205	DATE	SIGNATURE
CODE FOR DOCUMENT	605 SHEET TO	88 168	5 x 881114	87-04-09	LEMAITRE
GENERAL TOLERANCES		88 105	2 x 88.09.15	87-05-14	BION
RANGE OF NOMINAL DIMENSIONS (± mm)		87 329	4 x 87.12.21	STANDARDIZATION	
CLASS	II	87 243	2 x 87.09.29	87.05.15	
I	≤ 50	87 186	4 x 87.07.28	MASS	
II	> 50	87 163	1 x 87.05.27	SCALE	
III	> 100	87 068	A 87-04-15	1/1	
IV	> 400			SIZE	
TAPPED HOLES ACC JED 388		DCN No	REV	DATE	
① TOLERANCE CLASS APPLIED CROSSMARKED				A 1 210	

WABCO
HAND BRAKE VALVE
HANDBREMSVENTIL
ROBINET DE FREINAGE A MAIN
ROBINETTO DI COMANDO A MANO

961 723 201 0
605 1/1
DRAWING OF 86-11-27