

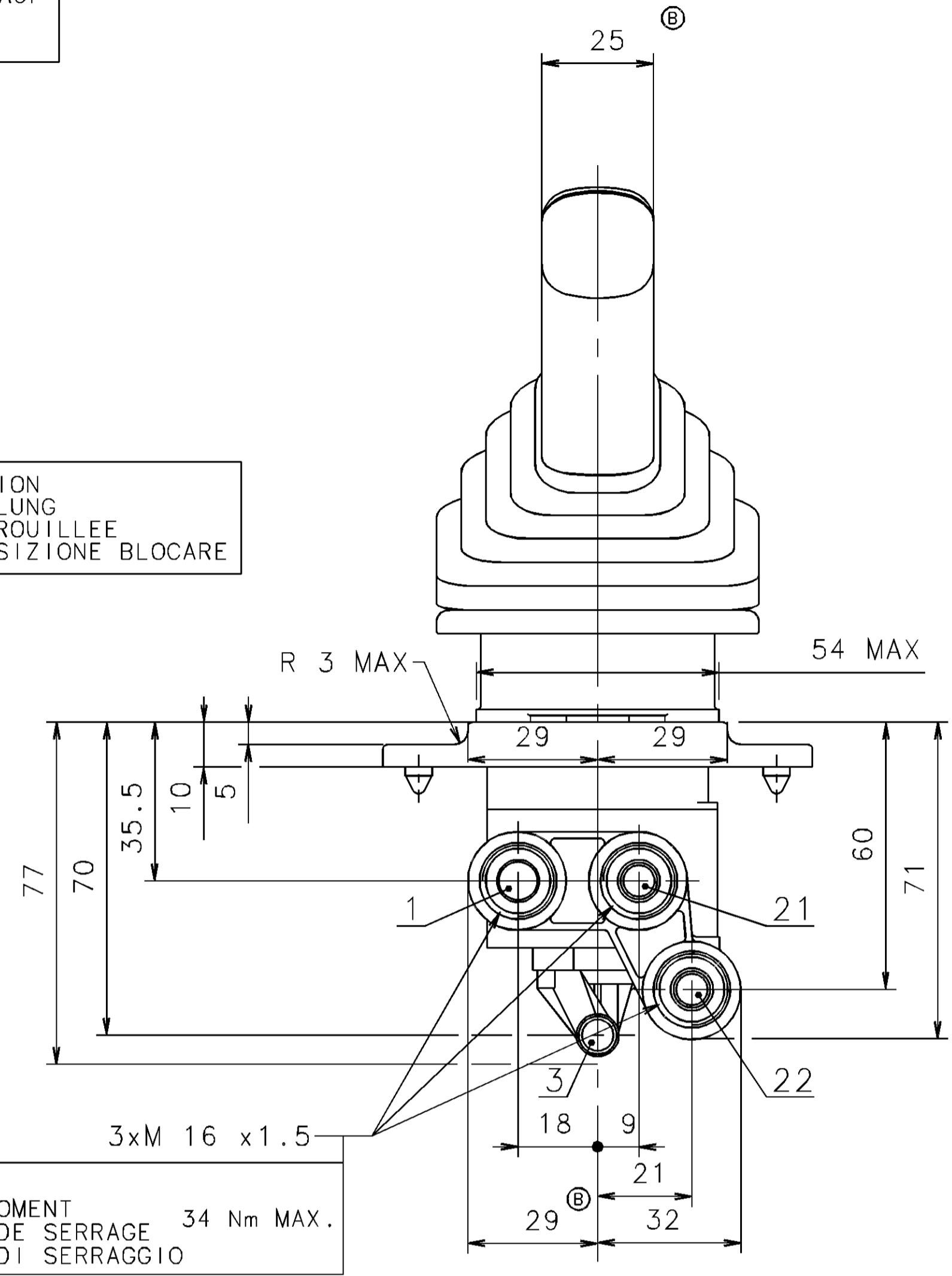
EMERGENCY BRAKING
HILFBREMSE
FREIN DE SECOURS
FREINO DI SOCCORSO

AUTOMATIC RETURN
AUTOMATISCHER RUECKLAUF
RETOUR AUTOMATIQUE
RITORNO AUTOMATICO

TEST POSITION
PRUEFUNGSTELLUNG
POSITION TEST
POSIZIONE TEST

PARKING POSITION: LOCKED POSITION
PARKSTELLUNG: VERRIEGELTE STELLUNG
POSITION PARKING: POSITION VERROUILLEE
POSIZIONE DI STAZIONAMENTO: POSIZIONE BLOCARE

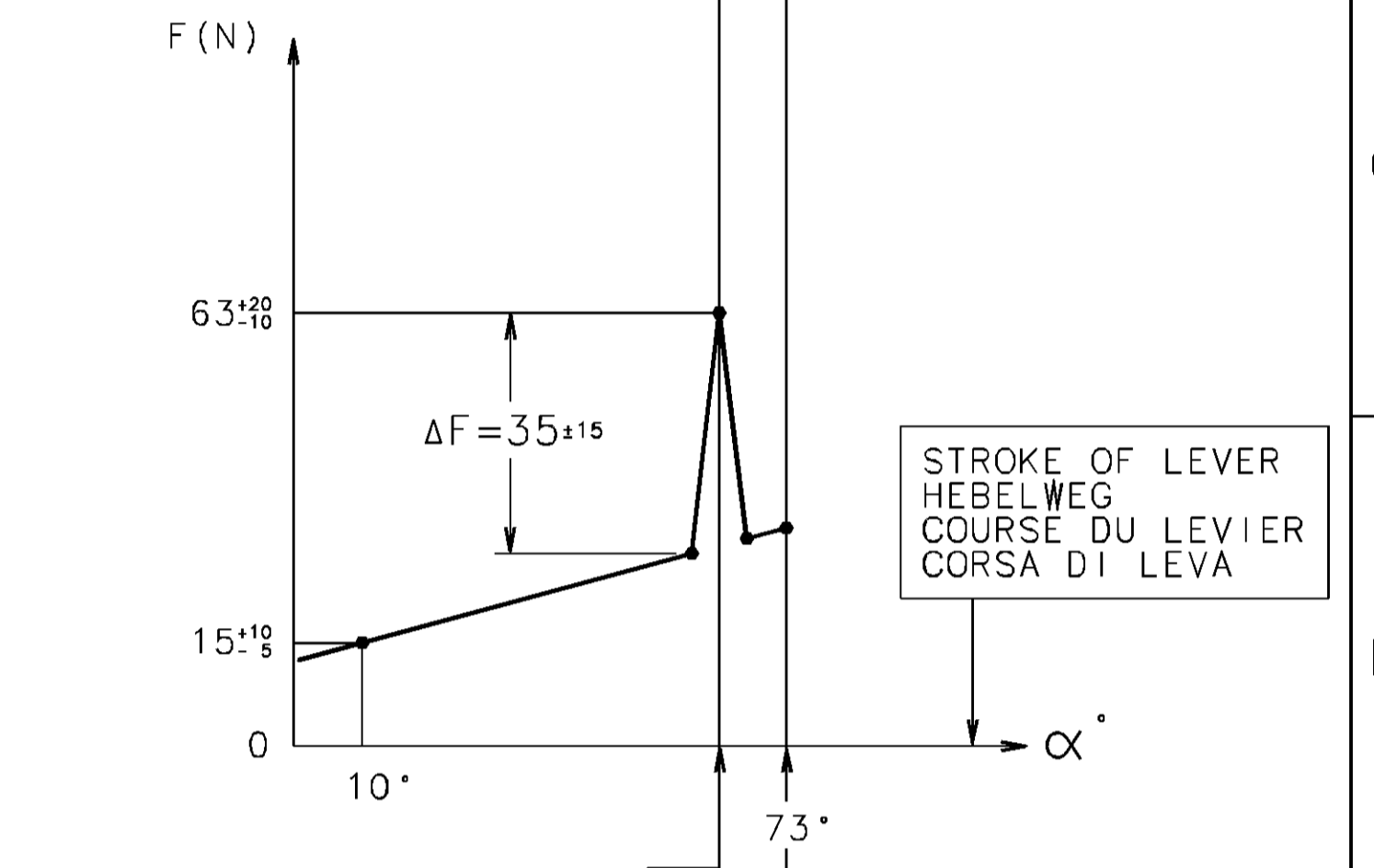
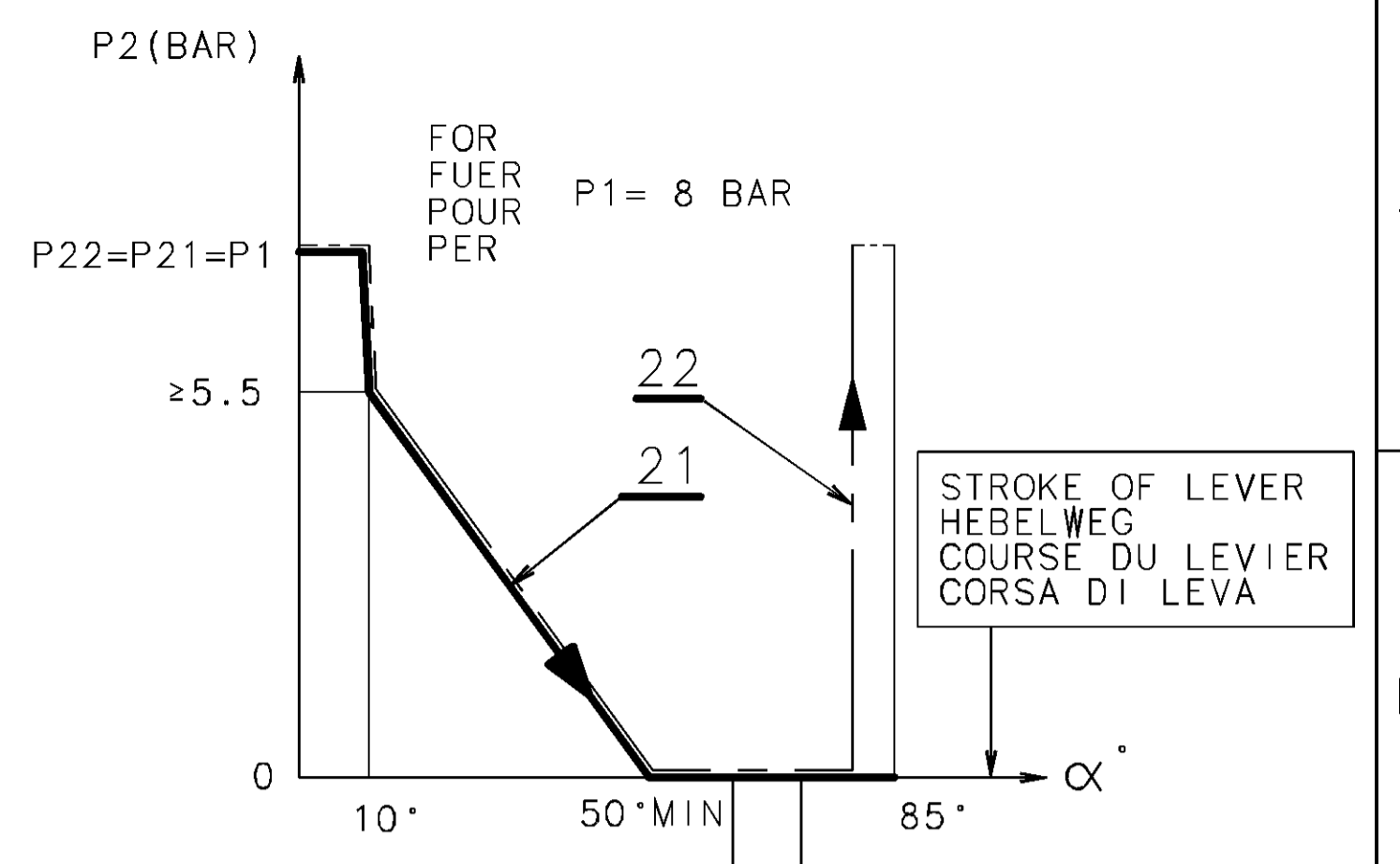
FIRST PRESSURE POINT
DRUCKPUNKT
POINT DUR
PUNTO DI RESISTENZA



TORQUE
ANZUGSMOMENT
COUPLE DE SERRAGE
COPPIA DI SERRAGGIO 34 Nm MAX.

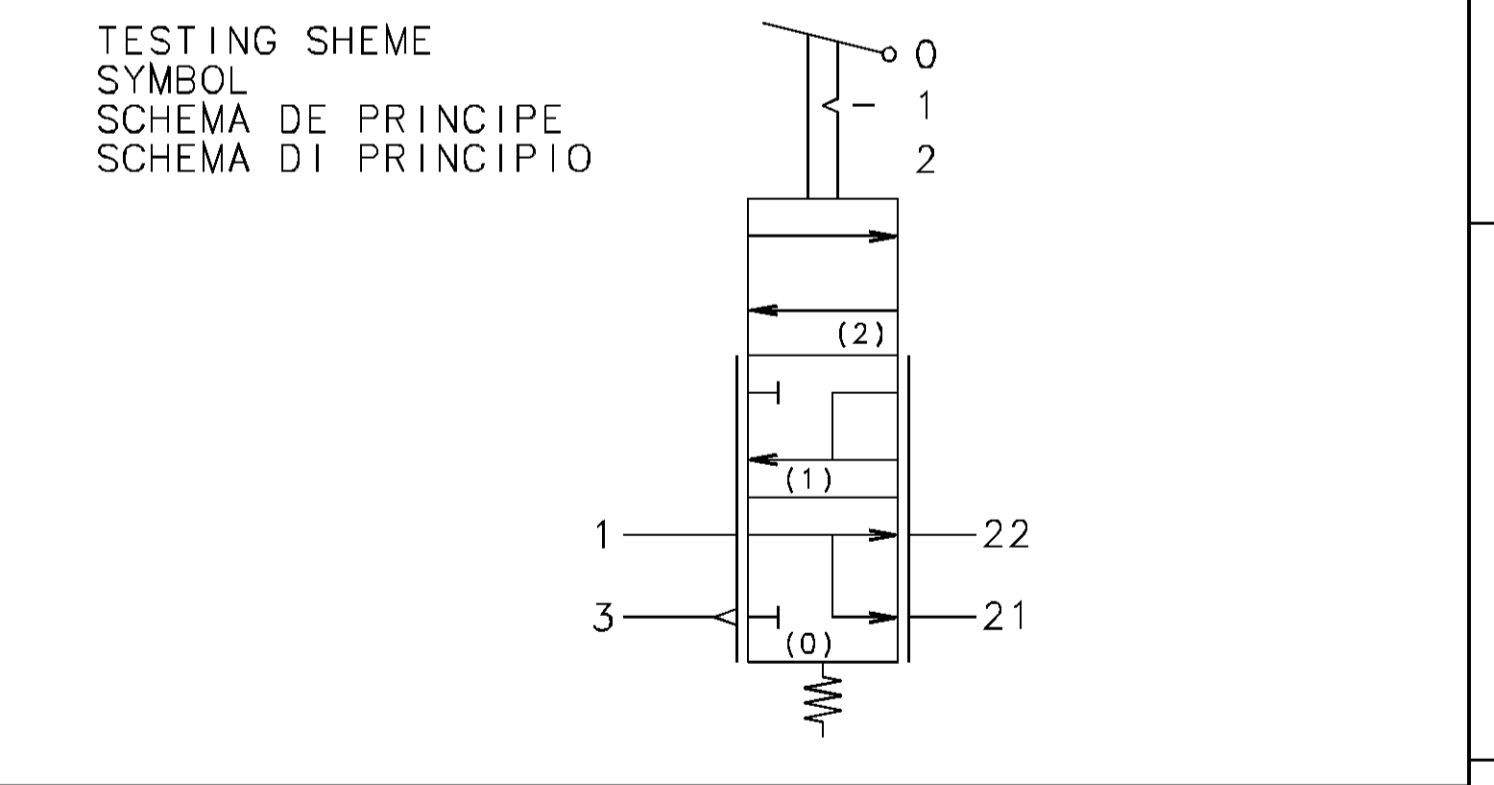
VIII	JED 679.0/Fe	JED 206.0
VII	JED 051 M4/Fe	JED 378
VI	JED 005 M2/POM	
V	JED 005 M3/POM +PVC	
IV	EPDM	
III	JED 029 M3/Al	JED 259
II	JED 004 M/Z	JED 260
I	JED 004 M/Z	JED 260
Ⓟ	- MATERIAL - MATIERE	- SURFACE PROTECTION - PROTECTION DE SURFACE

1	SUPPLY VORRAT ALIMENTAZIONE	
21	SPRING BRAKE CYLINDER FEDERSPEICHERZYLINDER CYLINDRE A RESSORT CILINDRO A MOLLA	MEDIUM : AIR MEDIUM : LUFT FLUIDE : AIR FLUIDO : ARIA
22	TRAILER CONTROL VALVE ANHAENGER STEURVENTIL VALVE DE CONTROLE DE REMORQUE VALVOLA DI CONTROLLO DI REMORCHIO	THERMAL RANGE THERM. ANWENDUNGSBEREICH TEMPERATURE D'UTILISATION TEMPERATURA DI UTILIZZAZIONE -40°...+80°C
3	AIR EXHAUST ENTLUEFTUNG ECHAPPEMENT SCARICO	SUPPLY PRESSURE VORRATSDRUCK PRESSION PNEUMATIQUE D'ALIMENTATION PRESSIONE PNEUMATICA DI ALIMENTAZIONE P1= 10 BAR MAX.



FIRST PRESSURE POINT
DRUCKPUNKT
POINT DUR
PUNTO DI RESISTENZA

PARKING POSITION
PARKSTELLUNG
POSITION PARKING
POSIZIONE DI STAZIONAMENTO



THE LEVER MUST GO DOWN BETWEEN 2 AND 3mm IN THE GROOVE AT THE PARKING POSITION

LE LEVIER DOIT DESCENDRE DE 2 A 3mm DANS LA RAINURE EN POSITION PARKING

FURTHER TECHNICAL DATA SEE

IDENTIFICATION NO.:
CODE FOR DOCUMENT: 605 SHEET: TO

GENERAL TOLERANCES
RANGE OF NOMINAL DIMENSIONS (± mm)

CLASS	1)	≤50	>50 ≤180	>180 ≤400	>400
I	±	0,5	1,0	1,5	2,0
II	±	1,0	2,0	3,0	4,0
III	±	2,0	3,5	5,0	6,5

TAPPED HOLES ACC. ISO 4039 / JED-152

1) TOLERANCE CLASS APPLIED CROSSMARKED

DATE: 10/06/97
DATE: 04/04/95
DATE: 30/08/94

MASS SCALE: 0,83kg
SIZE: 1:1

PRODUCT IDENTIFICATION NO.: 961 723 122 0
CODE FOR DOCUMENT SHEET: 605 1/1

REPLACEMENT FOR: 884 610 001 0 (A)

EXPERT CODE: [] TYPE OF PRODUCT: []

THIS DOCUMENT IS THE PROPERTY OF WABCO. IT IS TO BE USED ONLY FOR THE PURPOSES OF THE PROJECT FOR WHICH IT WAS PREPARED. IT IS NOT TO BE REPRODUCED, COPIED, OR TRANSMITTED IN ANY FORM OR BY ANY MEANS, ELECTRONIC OR MECHANICAL, INCLUDING PHOTOCOPYING, RECORDING, OR BY ANY INFORMATION STORAGE AND RETRIEVAL SYSTEM. WITHOUT THE WRITTEN PERMISSION OF WABCO, THIS DOCUMENT IS TO BE DESTROYED. ALL RIGHTS ARE RESERVED. WABCO AND THE WABCO LOGO ARE TRADEMARKS OF WABCO. ALL OTHER TRADEMARKS AND REGISTERED TRADEMARKS ARE THE PROPERTY OF THEIR RESPECTIVE OWNERS. WABCO IS NOT RESPONSIBLE FOR THE CONTENTS OF THIS DOCUMENT. WABCO IS NOT RESPONSIBLE FOR THE CONSEQUENCES OF THE USE OF THIS DOCUMENT. WABCO IS NOT RESPONSIBLE FOR THE CONSEQUENCES OF THE USE OF THIS DOCUMENT. WABCO IS NOT RESPONSIBLE FOR THE CONSEQUENCES OF THE USE OF THIS DOCUMENT.