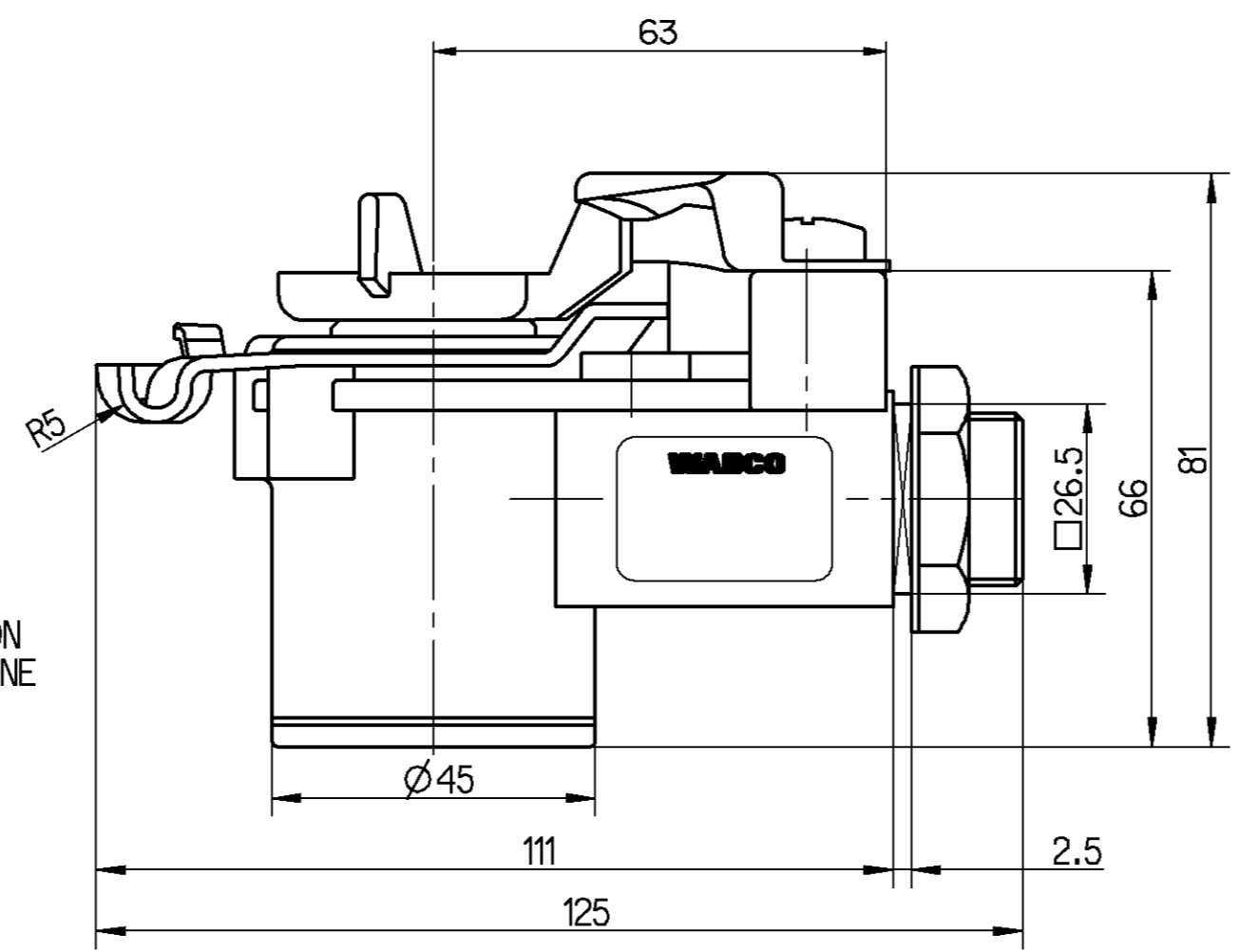
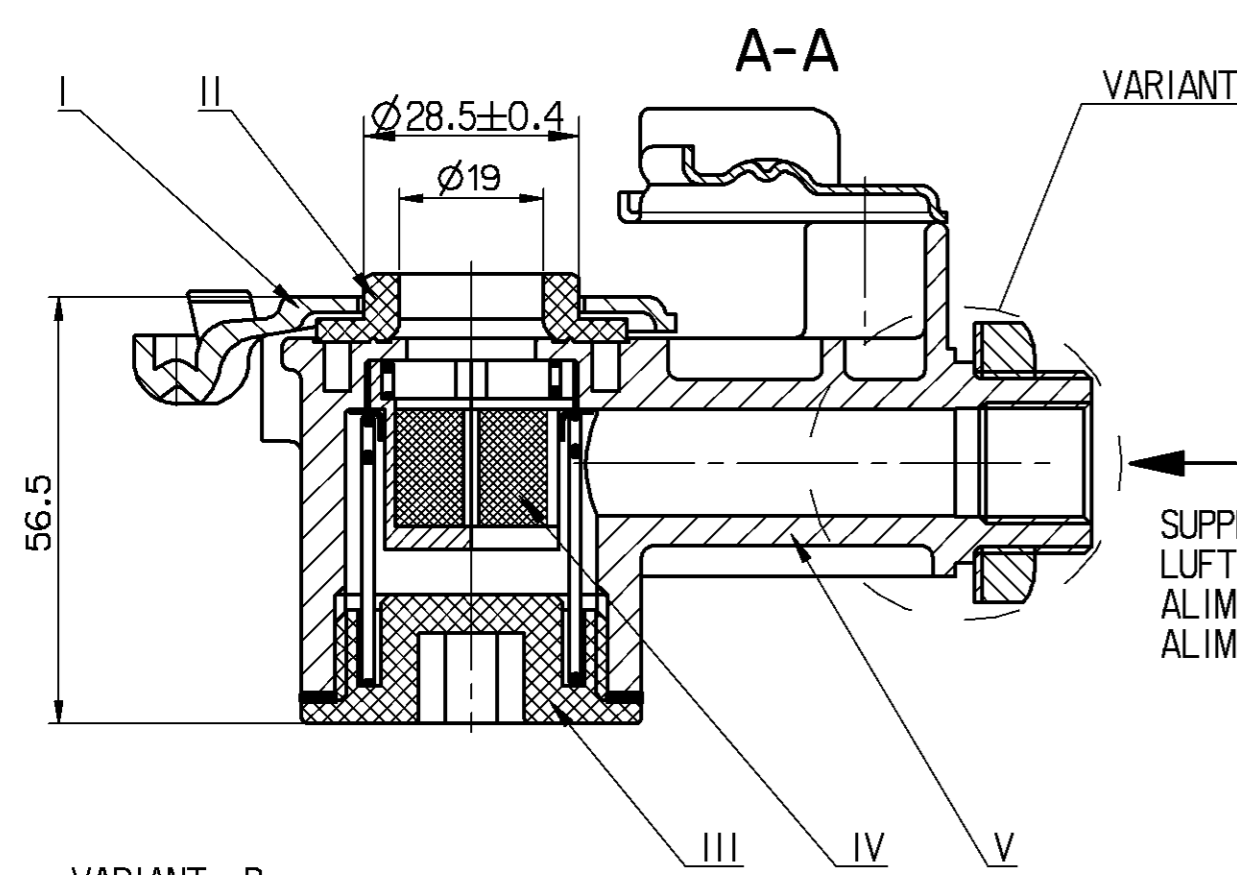


MATERIAL AND SURFACE PROTECTION OF ELEMENT			
I	JED-475-2	JED-257	GUIDE, FUEHRUNG, GUIDE, GUIDA
II	JED-7080M	-	SEALING, DICHTEN, ETANCHEITE, IMPERMEABILIT
III	PA 6.6 PE	-	SCREW-PLUG, EINSCHRAUB-STOPFEN
IV	JED-330	-	INNER SIEVE, FILTEREINSATZ, TAMIS, SETACCIO
V	JED-029M1	JED-259	BODY, GEHAEUSE, CORPO, CORPS USINE
VI	POM	-	COVER, DECKEL, COUVERCLE, COPERCHIO
VII	8	JED-257	NUT, MUTTER, ECROU, DADO
VIII	8.8	JED-257	SCREW, SCHRAUBE, VIS, VITE

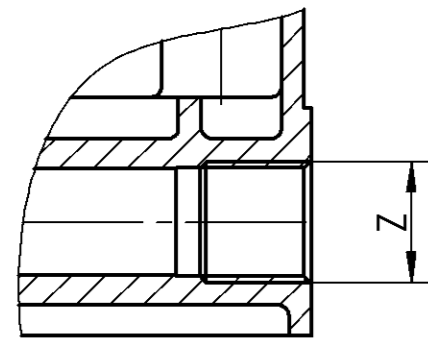


SYMBOL SYMBOL SYMBOLE SIMBOLO	
WORKING POSITION EINBAULAGE POSITION DE FONCTIONNEMENT POSIZIONE DI FUNZIONAMENTO	UNIMPORTANT BELIEBIG INDIFFERENTE INDIFFERENTE
WORKING MEDIUM ARBEITSMEDIUM FLUIDE D'UTILISATION FLUIDO DI ESERCIZIO	COMPRESSED AIR DRUCKLUFT AIR COMPRIME ARIA COMPRESSA
NORM NORM NORME NORMA	EMERGENCY BRAKING AUTOMATISCHE BREMSUNG FREINAGE AUTOMATIQUE FREINO AUTOMATICO
AMBIENT MEDIUM UMGEBUNGSMEDIUM FLUIDE AMBIANT FLUIDO AMBIENTE	AIR (CONTAINING WATER DUST AND OIL) LUFT (WASSER-, STAUB- UND OELHALTIG) AIR (HUMIDE, HUILEUX POUSSIEREUX) ARIA (ACQUA, POLVERE ED OLIO INQUINATO)
WORKING TEMPERATURE THERMISCHER ARBEITSBEREICH TEMPERATURE DE FONCTIONNEMENT TEMPERATURA DI UTILIZZAZIONE	-40°+80°C
MAX INLET PRESSURE MAX BETRIEDSDRUCK PRESSION D'ALIMENTATION MAXI PRESSIONE MASSIMA D'ALIMENTAZIONE	8.5 BAR

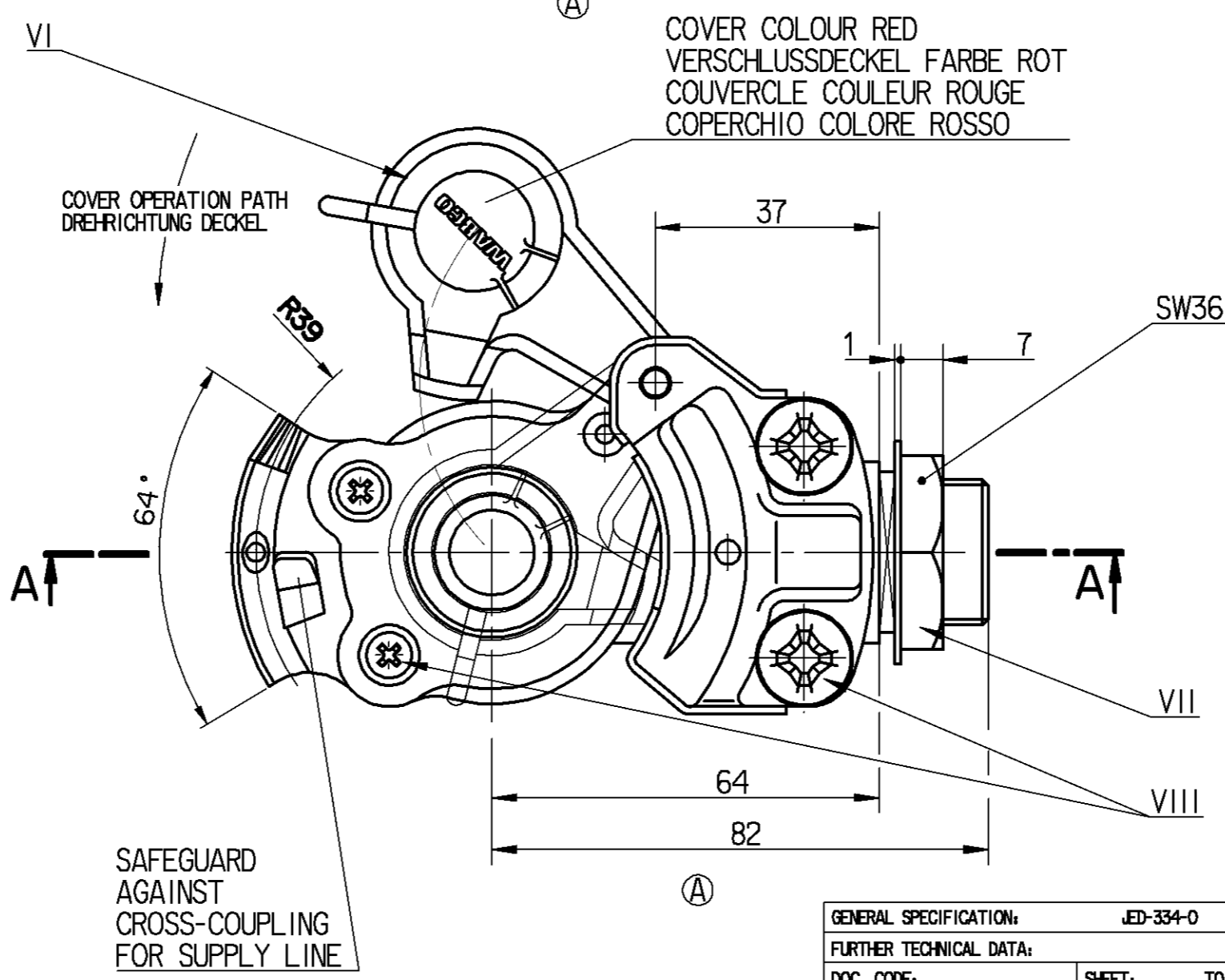
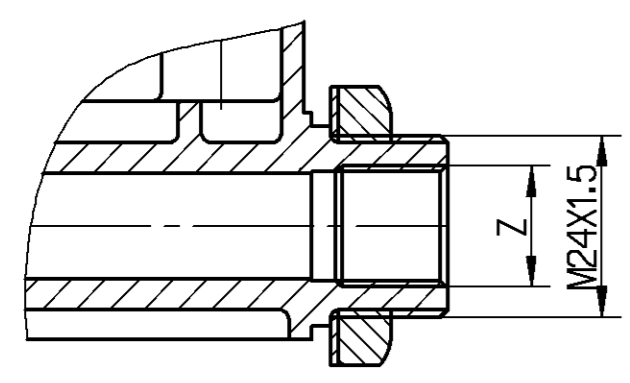
NON E' PERMESSO CONSERVARE A TERZI O RIPRODURRE QUESTO DOCUMENTO, NE UTILIZZARNE IL CONTENUTO O RENDERSI RESPONSABILI PER QUALSIASI PERDITA O DANNO. TUTTI I DIRITTI RISERVATI DA WABCO E' UN MARCHIO REGISTRATO. E' FATTA RISERVA SU TUTTI I DIRITTI BREVETTI, PATENTI, O MODELLI.

TOUTE COMMUNICATION DE REPRODUCTION DE CE DOCUMENT, TOUTE EXPLOITATION DE COMMUNICATION DE SON CONTENU, EST INTERDITE ET EXPOSE SON AUTEUR A UN VERSEMENT DE DOMMAGES ET INTERETS. TOUTS DROITS DE PROPRIETE INDUSTRIELLE RESERVES. NOTAMMENT EN MATIERE DE BREVETS ET DE MODELES.

VARIANT B
ONLY FOR 952 201 004 0
NUR FUR 952 201 004 0



VARIANT A
ONLY FOR 952 201 002 0
NUR FUR 952 201 002 0



COVER COLOUR RED
VERSCHLUSSDECKEL FARBE ROT
COUVERCLE COULEUR ROUGE
COPERCHIO COLORE ROSSO

Z: TORQUE
Z: ANZUGSMOMENT
Z: COUPLE DE SERRAGE
Z: COPPIA DI SERRAGGIO

30±2 Nm

952 201 004 0	M16x1.5	B	-
952 201 002 0	M16x1.5	A	-
IDENTIFICATION BENENNUNG DENOMINATION DENOMINAZIONE	Z	VARIANT ABWANDLUNG VARIANTE VARIANTE	REMARKS BEMERKUNGEN REMARQUES NOTE

GENERAL SPECIFICATION: JED-334-0		Pro/ENGINEER DRAWING COPYRIGHT		WABCO	
FURTHER TECHNICAL DATA:		DATE SIGNATURE		HOSE COUPLING WITH INTEGRATED FILTER	
DOC. CODE: SHEET: TO		DRAWN		KUPPLUNGSKOPF MIT INTEG. FILTER	
GENERAL TOLERANCES		CHECKED		TETE D'ACCOUPEMENT AVEC FILTRE	
RANGE OF NOMINAL DIMENSIONS (± mm)		EXPERT CODE		TESTA D'ACCOPIAMENTO CON FILTRO	
CLASS	1) < 50 > 50 > 180 > 400 > 400	817		PRODUCT IDENTIFICATION NO.	
FINE	0.5 1.0 1.5 2.0	MASS SCALE		952 201 006 0	
MEDIUM	x 1.0 2.0 3.0 4.0	KG 1:1		DOC. CODE SHEET	
COARSE	2.0 3.5 5.0 6.5	SIZE TRI		653 1/1	
TAPPED HOLES ACC. ISO 4039 / JED-152		087158 2x A 03-08-29		FUNCTION CODE SHAPE CODE PRODUCT TYPE	
1) TOLERANCE CLASS APPLIED CROSSMARKED		DCI-NO. REV. DATE		REPLACEMENT FOR	

Dwg.: 9522010060_653