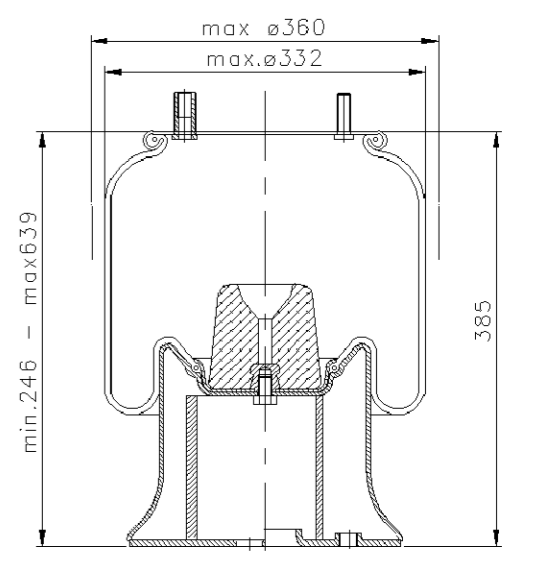


Installation view  
M 1:5



Characteristics:

- Loading capacity at 5bar.....24kN
- Max. Loading capacity (at 7bar)...34.5kN
- Working pressure.....5bar
- Burst pressure.....21bar
- Design height.....385mm
- Volume (at 5bar and DH).....19.4dm<sup>3</sup>

Resistance to air and ozone:

- Ozone ageing 50pphm/48h as per DIN53509...Estimate 0
- Ageing in air at 100(C.....3days

Measurement results of outer coating changes

- Hardness.....+5ShA
- Modulus 100%.....+60%

Coating Dynamic fatigue

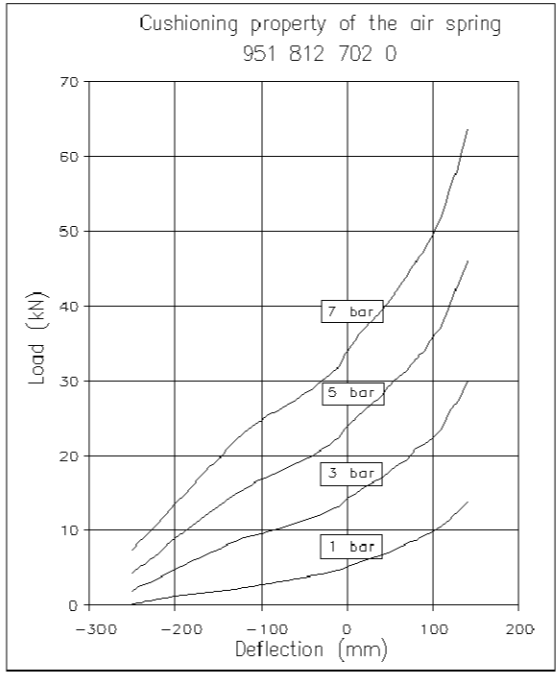
De MATTIA.....>1.000.000

Dynamical durability test

- Pressure.....5bar
- Amplitude.....60% dHmax
- Frecuence.....3±0.25Hz
- Persistance.....5.000.000 cycles

Resistance to external effects

- The air spring is resistant to:
- parafin oils,
  - naphthene oils,
  - party aromatic oils,
  - 5% NaCl solution,
  - vehicle cleaning agent,
  - temperatures: -40° C to +50° C  
(test: 7days/100° C, 45°/120° C).



Drawing editioned by.....date.....20.....for MACHINING— ASSEMBLING— INFORMATION								
Dimensions without tolerances according to ISD 2768 mid	2000	Date	Name	Signature				
	Constr.by	jul.00	U.Mattweber					
	Drawn by:	jul.00	U.Mattweber					
Scale:	Checked by:	jul.00	M. Košir					
~	Revision:	D1	D2	D3	D4	D5	D6	D7
	Date:	24.07.00	24.08.00	10.09.02				
Weight(kg): 13.72	Signature:							
	Belong to:	56624273360000_(wabco 9518127020).dwg						
Title:	WABCO 951 812 702 0 (Goodyear 1R12-702)							



GOODYEAR ENGINEERED PRODUCTS EUROPE  
Družba za proizvodnjo gumnih tehnoloških izdelkov, d.o.o.

This drawing is property of the GY EPE Kranj and can be used only as authorized by it in writing.

K566242 733  
Drawing number Page