

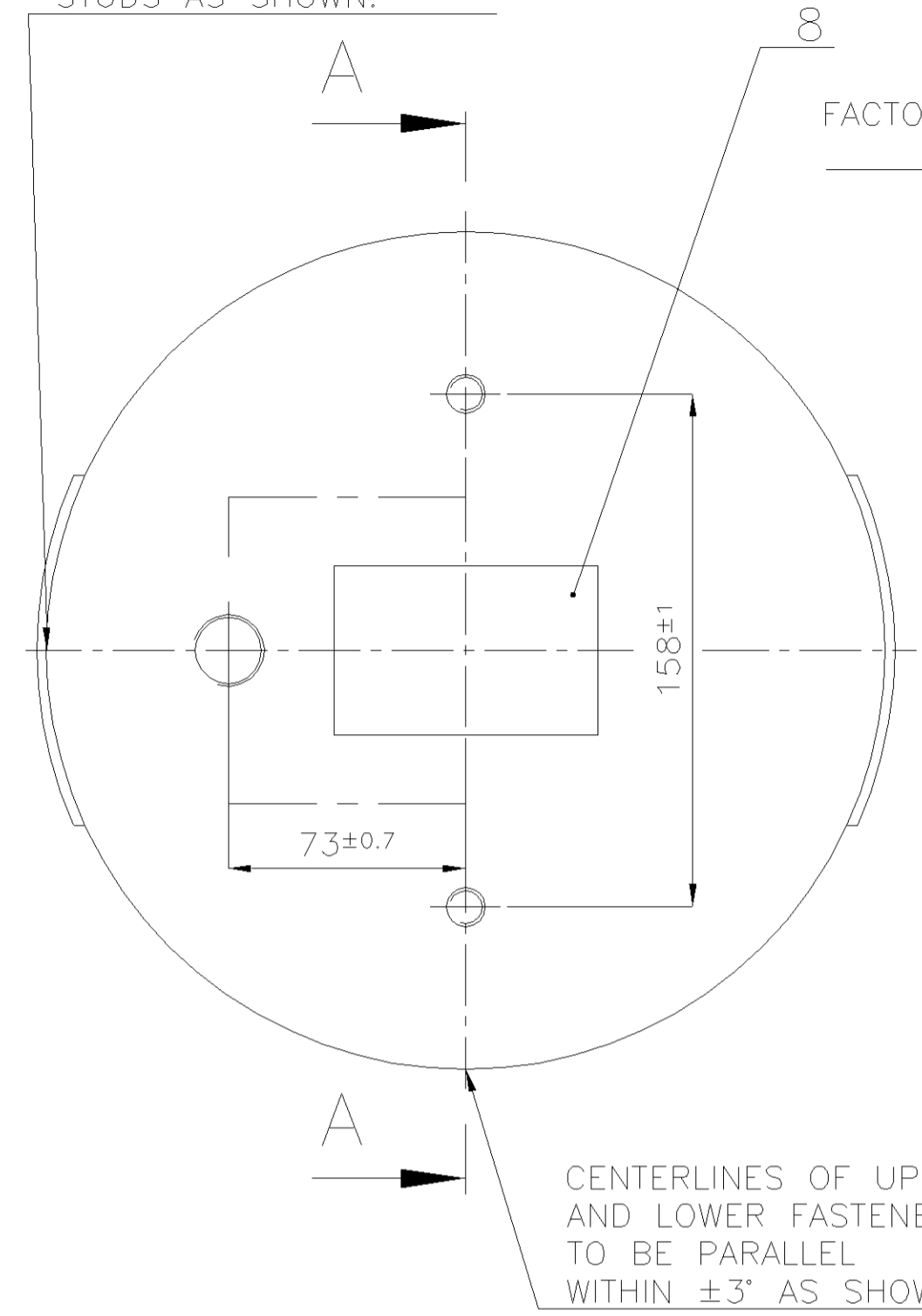
566-22-2-733

WABCO LOGO ALIGNED WITH UPPER BEAD PLATE STUDS AS SHOWN.

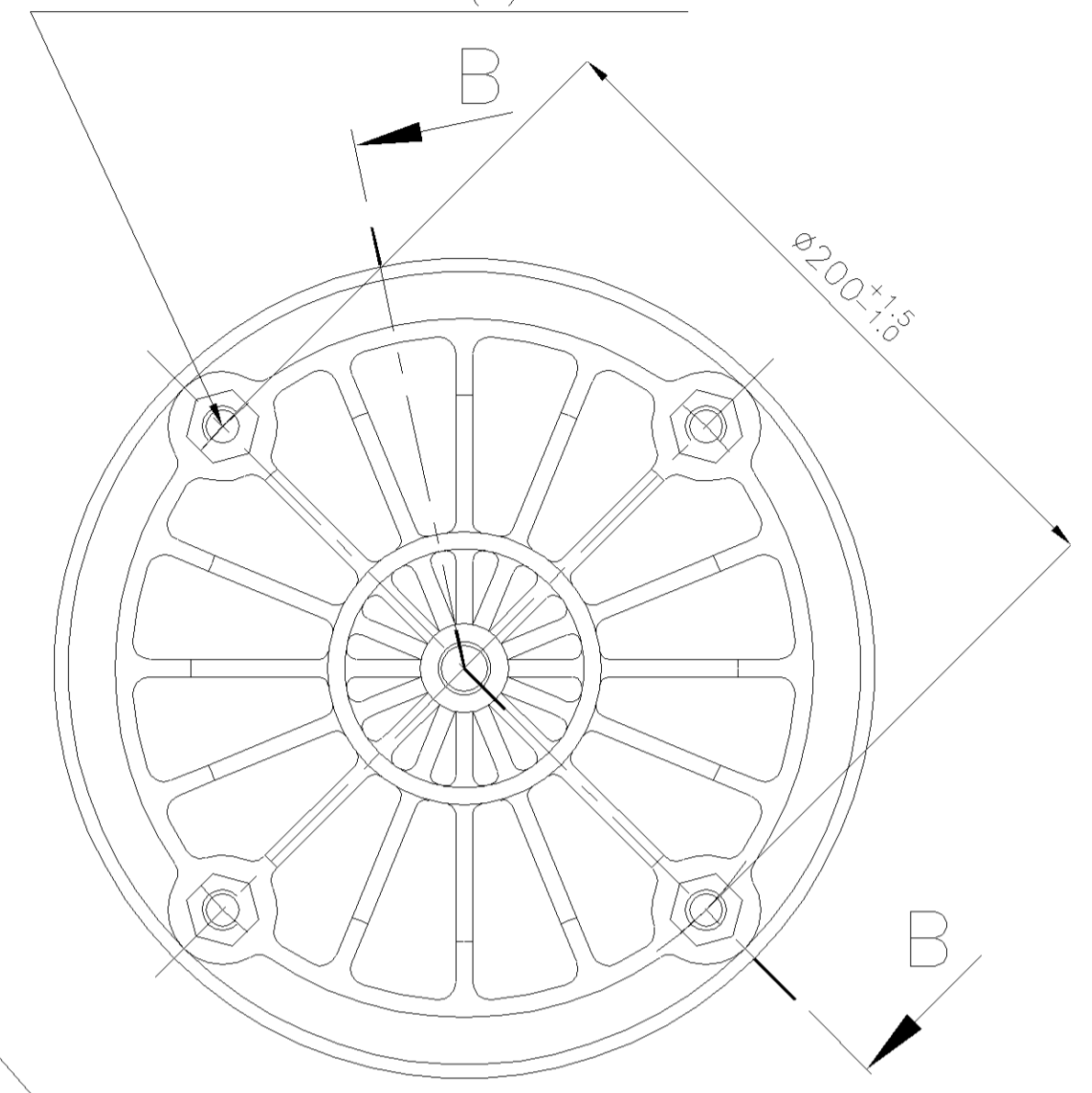
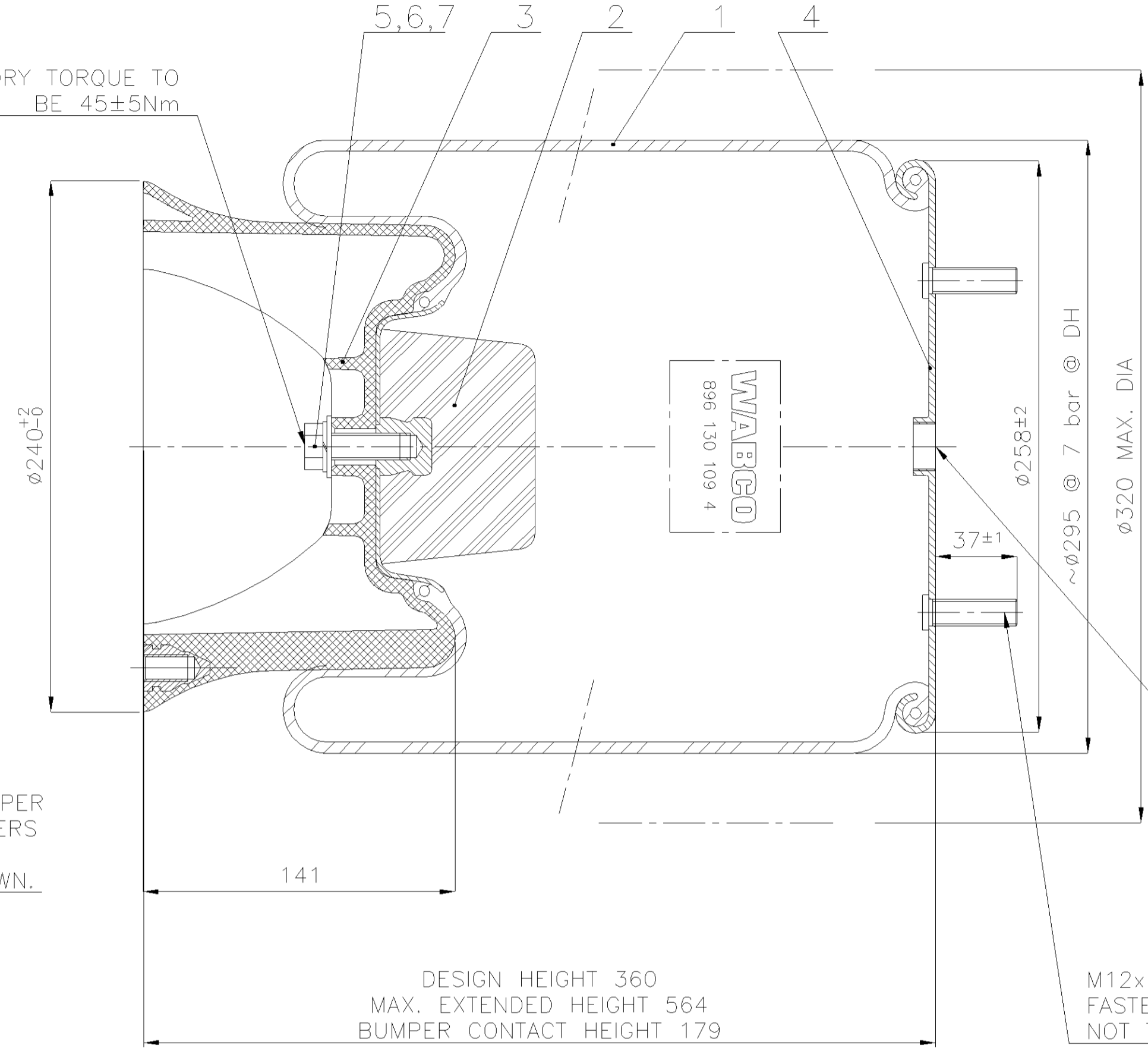
SECTION B-B

SECTION A-A

M12x1.75 6H x18 M.E.T.  
FASTENER TORQUE AT INSTALLATION  
NOT TO EXCEED 45Nm  
TYP (4) PLACES



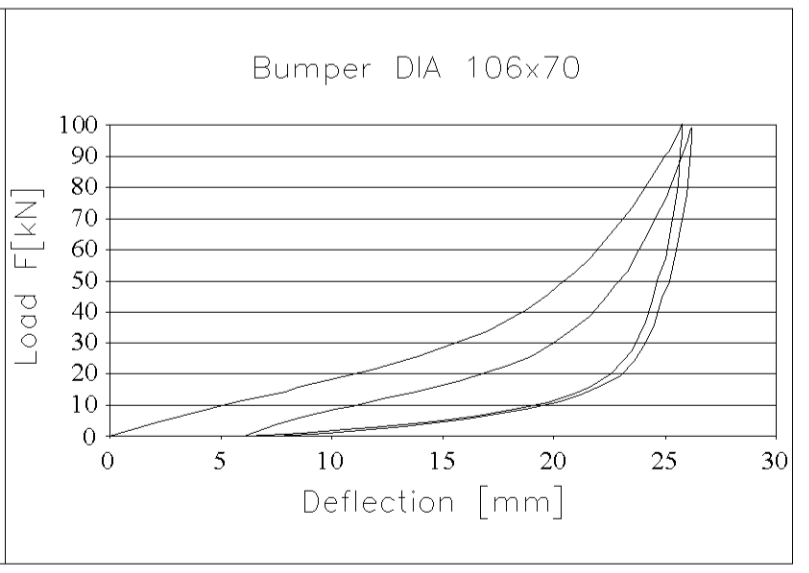
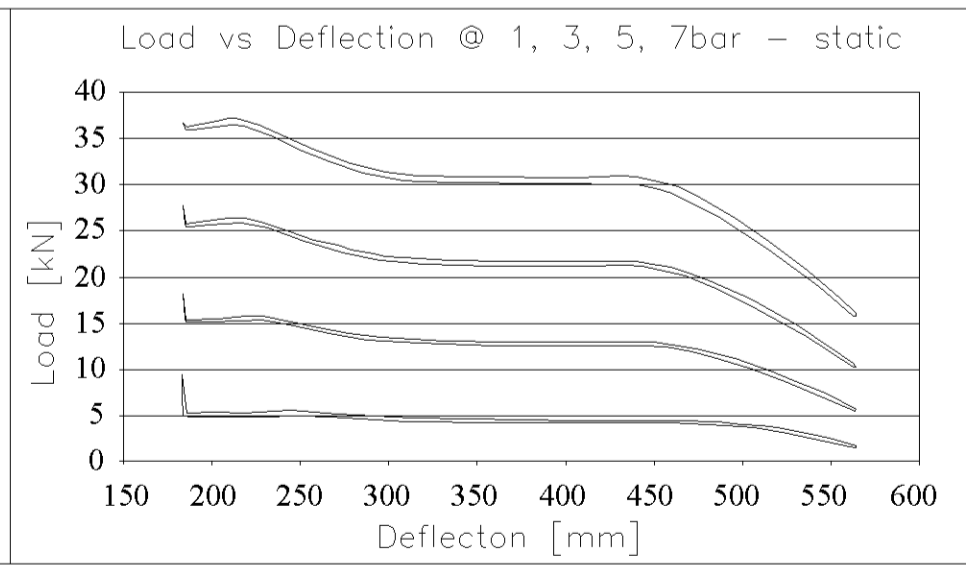
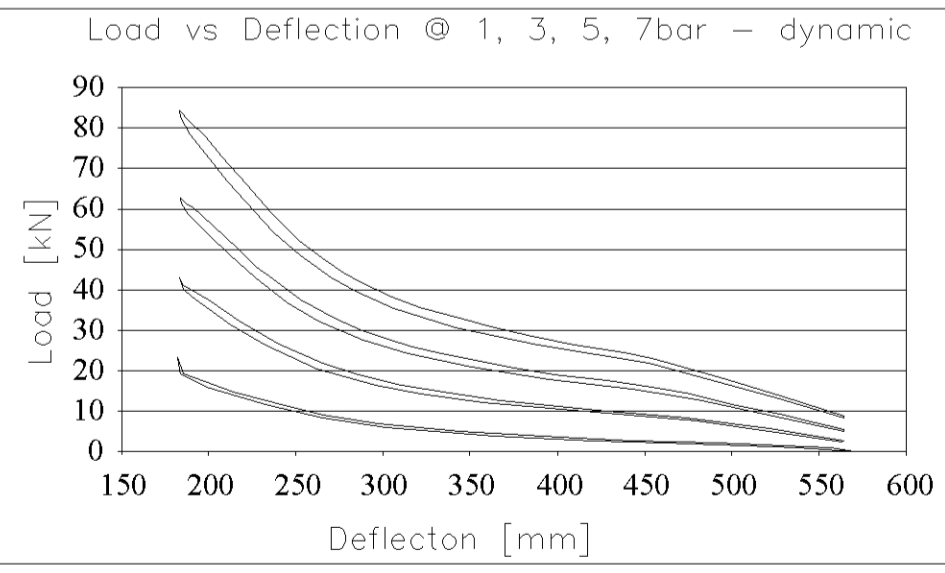
FACTORY TORQUE TO BE 45±5Nm



M22x1.5 6H  
FASTENER TORQUE AT INSTALLATION  
NOT TO EXCEED 70Nm

M12x1.75 6g  
FASTENER TORQUE AT INSTALLATION  
NOT TO EXCEED 45Nm

DESIGN HEIGHT 360  
MAX. EXTENDED HEIGHT 564  
BUMPER CONTACT HEIGHT 179



**SURFACE TREATMENT:**  
- UPPER BEAD PLATE: DIN 50961 Fe/Zn  
- PISTON: COMPOSITE, BLACK COLOR

NOTES:

1. MINIMUM PRESSURE AT MAXIMUM EXTENSION IS NOT TO BE LESS THEN 0.5bar.
2. ASSEMBLY PRESSURE TESTED PER GMS XIII-310.
3. ASSEMBLY DESIGNED TO OPERATE BETWEEN -40° AND +70°.
4. CUSTOMER TO PROVIDE MECHANICAL DEVICE TO LIMIT MAXIMUM EXTENSION TO MAX. EXTENDED HEIGHT.
5. WARNING: DO NOT INFLATE UNLESS FULLY SECURED IN THE SUSPENSION OR OTHER ADEQUATE STRUCTURE. DO NOT INFLATE TO MORE THEN 7bar AT ANY HEIGHT. OTHERWISE BODILY INJURY COULD RESULT

8	1	WARNING & IDENT. NUMBER			
7	1	SPRING WASHER A12			DIN127B
6	1	WASHER F128/14x2.5			N240799/1
5	1	SCREW M12x35			DIN933
4	1	UPPER BEAD PLATE	US1 13		20178171
3	1	PISTON	PA66-GF30		20236931
2	1	BUMPER DIA 106x70			N87790
1	1	FLEXIBLE MEMBER	NR-BR		896 130 109 4
Poz.	No.	Object and dimension	Page	Material	Drawing no. - standard Note
		2004	Date	Name	Signature
		Designed	07.05	M. Sivec	
		Checked	07.05	M. KOŠIR	
		Approved	07.05	M. KOŠIR	
Scale:	Weight(kg):	Belong to:	Projection	Drawing number:	
1:2(A2)	6.62	AIR SPRINGS	☐	566-22-2-733	
Title:	WABCO 951 811 713 0 (GOODYEAR 1R11-713)			Revision:	Signature:
				02	07.05.2004

02	07.05.04	M. Sivec	New piston. Old piston was 20213380.
01	24.07.00	U. Matteweber	Drawing created.
Revision	Date	Name	Reason, note

This drawing and the subject matter herein are the property of The Goodyear Tire & Rubber Company, Akron, Ohio, and contains confidential information and may not be copied, used or divulged without express written consent of Goodyear. All drawings and all partial or complete copies thereof will be returned or destroyed on request.