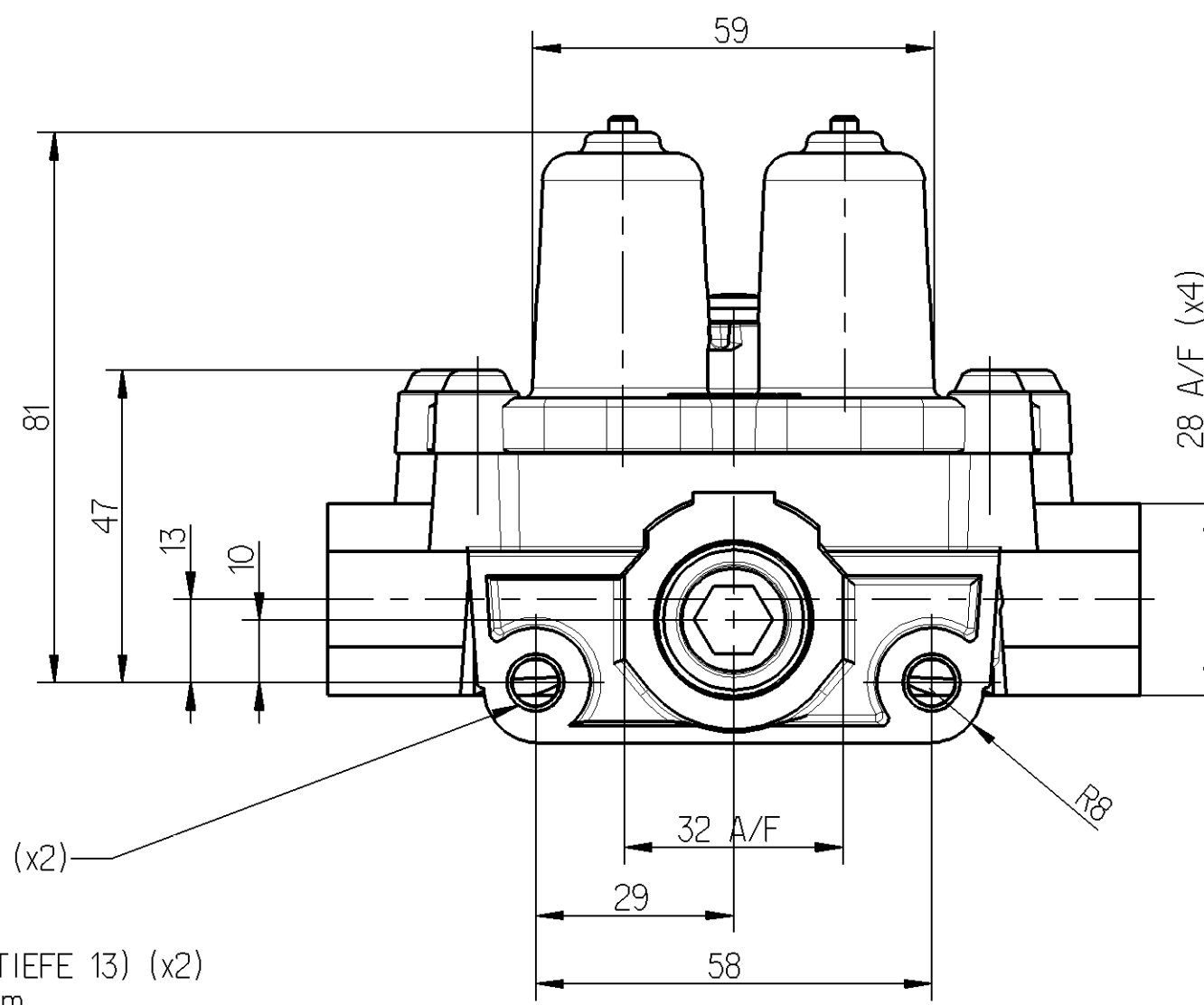
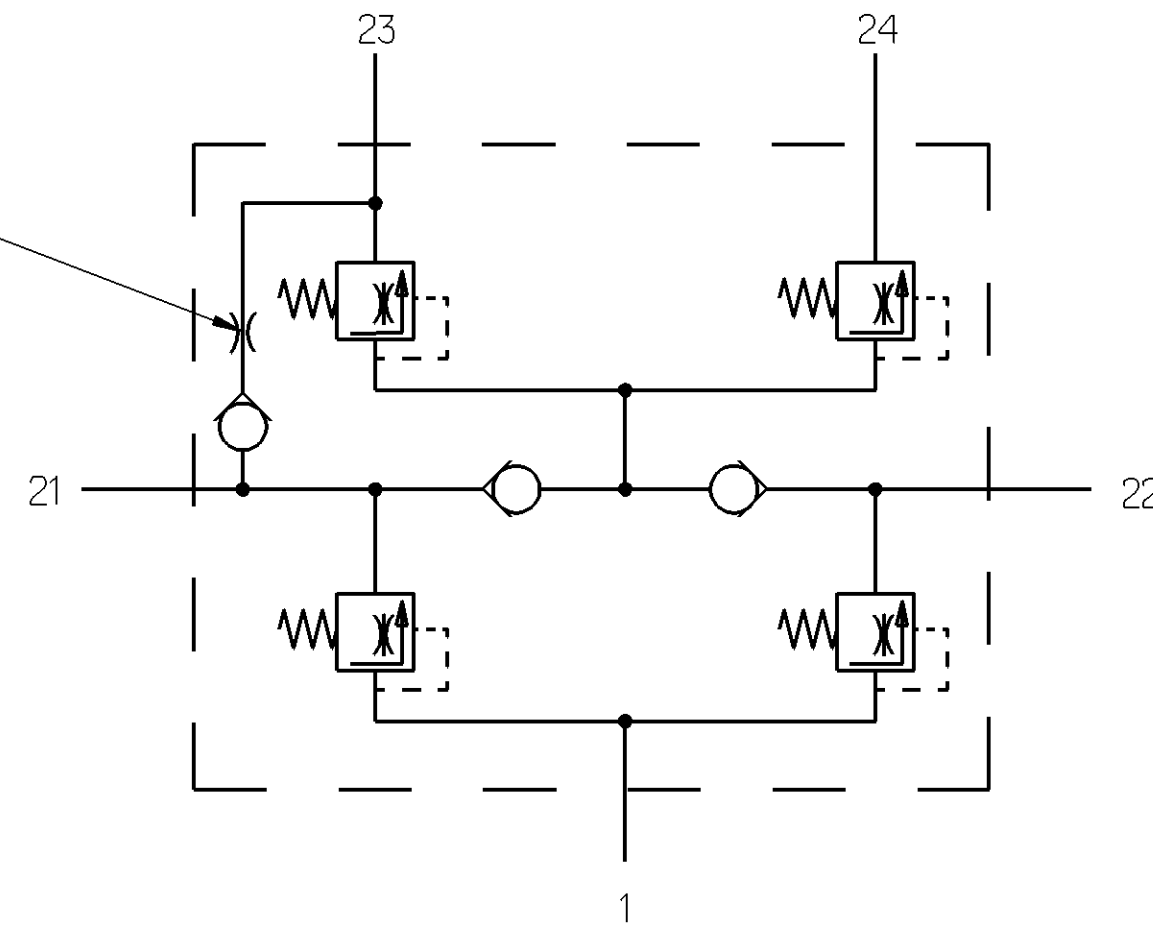
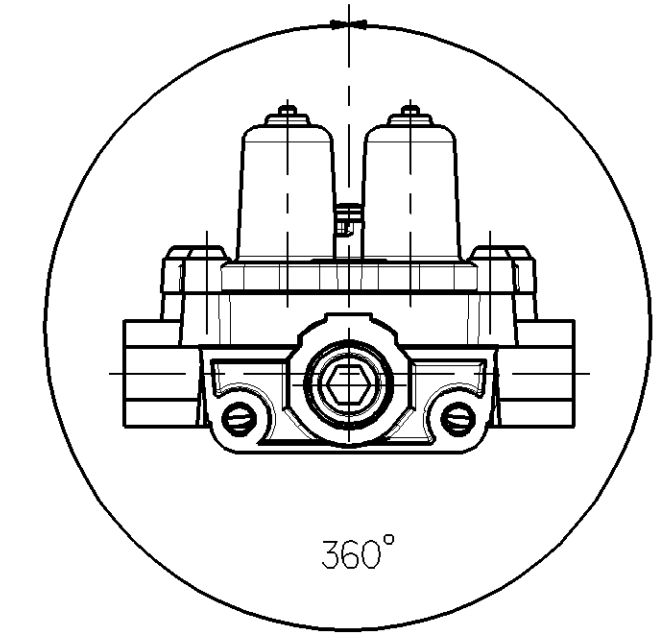


- # FLOW RATE = 16-35 l/min
AT P23 = 8, P21 = 0 bar
WHEN P21 DROPS TO ZERO
RETAINED P23 = 1bar MAX
- # DURCHFLOßMENG E = 16-35 l/min
BEI P23 = 8, P21 = 0 bar
WENN P21 AUF NULL ABFALLT
GESICHERTER DRUCK P23 = 1bar MAX
- # DEBIT = 16-35 l/min
SCUS P23 = 8, P21 = 0 bar
SI P21 TOMBE A ZERO
LA PRESSION MAINTENUE A P23 = 1bar MAX
- # PORTATA = 16-35 l/min
PER P23 = 8, P21 = 0 bar
SE P21 CALCA A ZERO
LA PRESSIONE MANTENUTA A P23 = 1bar MAX



- M8x1.25 THRO'(13 DEEP) (x2)
TORQUE 25-30 Nm
- M8x1.25 DURCHGEHEND (TIEFE 13) (x2)
ANZUGSMOMENT 25-30 Nm
- M8x1.25 FILET (PROFONDEUR 13) (x2)
COUPLE DE SERRAGE 25-30 Nm
- M8x1.25 ATTRAVERSO (PROFONDITA 13) (x2)
COPPIA DI SERRAGGIO 25-30 Nm

SCALE
MASSTAB
ECHELLE
SCALA



CORROSION PROTECTION
ALUMINIUM PARTS CHROMATED
TO JED-259
SCREWS MECHANICALLY ZINC
PLATED TO JED-256-1

KORROSIONSSCHUTZ
ALUMINIUMTEILE CHROMIERT
GEMASS JED-259
SCHRAUBEN MECHANISCH VERZINKT
GEMASS JED-256-1

PROTECTION ANTICORROSIVE
PIECES ALUMINIUM CHROMEES
POUR JED-259
VIS MECANIQUEMENT ZINGUEES
POUR JED-256-1

PROTEZIONE ANTICORROSIONE
PEZZI IN ALUMINIO CROMATI
PER JED-259
VITI MECCANICAMENTE ZINCATE E
PER JED-256-1

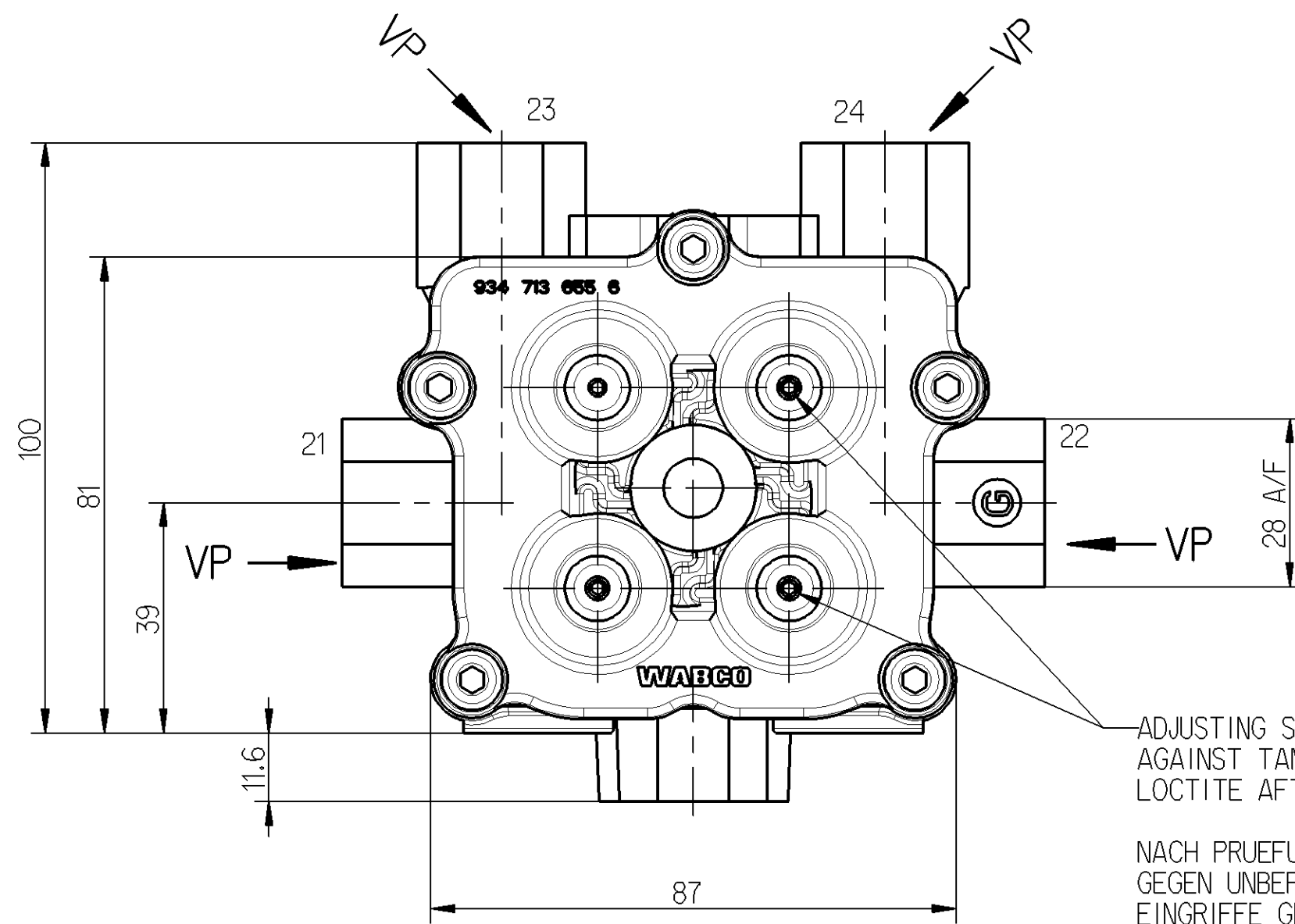
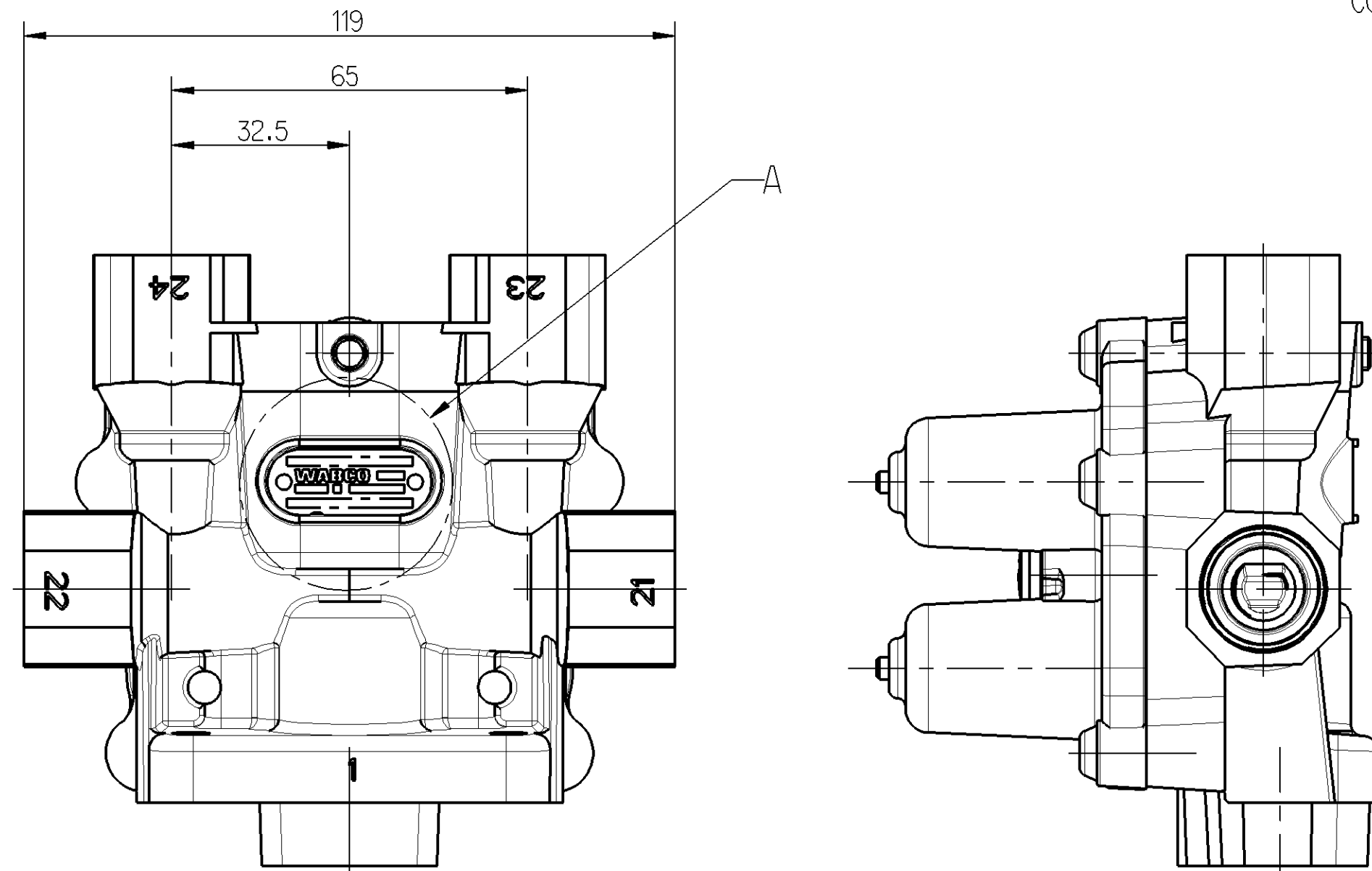
CONNECTIONS
ANSCHLUESSE
ORIFICES
ORIFIZI

SUPPLY
LUFTEINTRITT
ALIMENTATION
ALIMENTAZIONE

	CIRCUIT 1 KREIS 1 CIRCUITO 1	CIRCUIT 2 KREIS 2 CIRCUITO 2
21-	CIRCUIT 1 CIRCUITO 1	22- CIRCUIT 2 CIRCUITO 2
	CIRCUIT 3 KREIS 3 CIRCUITO 3	CIRCUIT 4 KREIS 4 CIRCUITO 4
23-	CIRCUIT 3 CIRCUITO 3	24- CIRCUIT 4 CIRCUITO 4

VALVE MAY BE MOUNTED AT ANY ANGLE
VENTIL KANN IN BELIEBIGER LAGE MONTIER WERDEN
LA SOUPAPE PEUT ETRE INSTALLE A N'IMPORTE QUEL ANGLE
VALVOLA MONTABILE A QUALSIASI ANGOLO

- * OPENING PRESSURE 23 TO EXCEED HIGHEST ACTUAL OPENING PRESSURE OF OTHER CIRCUITS BY >=0.1 BAR. REFER TO DOC. CODE 435
- * DER OEFFNUNGSDRUCK DES KREISES 23 MUSS IMMER UM >=0.1 BAR UEBER DEM HOECHSTEN IST-OEFFNUNGSDRUCK DER ANDEREN KRIESE LIEGEN. SIEHE DOC. 435
- * LA PRESSION D'OUVERTURE DU CIRCUIT 23 DOIT TOUJOURS EXCEDER LA PLUS HAUT PRESSION D'OUVERTURE DES AUTRES CIRCUITS DE >=0.1 BAR. VOIR DOC. 435
- * LA PRESSIONE DI APERTURA DEL CIRCUITO 23 DEVE SEMPRE SUPERARE LA PIU ALTA PRESSIONE DI APERTURA DEGLI ALTRI CIRCUITI. VEDERE DOC. 435



ADJUSTING SCREWS SECURED AGAINST TAMPERING WITH LOCTITE AFTER TEST

NACH PRUEFUNG MIT LOCTITE GEGEN UNBEFUGTE EINGRIFFE GESICHERT

VIS DE REGLAGE FIXEES AVEC LOCTITE PAR SECURITE APRES ESSAI

VITI DI REGOLAZIONE FISSATE CON LOCTITE DOPO LE PROVE

LABEL MARKED WITH:-

- CUSTOMER NUMBER
- PRODUCTION PLANT
- DATE OF MANUFACTURE
- OPTIONAL
- WABCO IDENTIFICATION NUMBER

SCHILD MIT AUFSCHRIFT:-

- KUNDEN-NR.
- FERTIGUNGSWERK
- HERSTELLDATUM
- BELIEBIG
- WABCO IDENTIFIKATIONS-NUMMER

ETIQUETTE COMPORTANT:-

- NO CLIENT
- USINE DE PRODUCTION
- DATE DE FABRICATION
- A VOLONTE
- WABCO NUMERO D'IDENTIFICATION

ETICHETTA CONTRASSEGNA CON:-

- NO CLIENTE
- STABILIMENTO DI PRODUZIONE
- DATA DI FABRIZIONE
- A SCELTA
- WABCO NUMERO D'IDENTIFICAZIONE

ADMISSIBLE TEMPERATURES = -40°C / +90°C
THERMISCHER ANWENDUNGSBEREICH
TEMPERATURE DE SERVICE
TEMPERATURA D'ESERCIZIO

MEDIUM : ARIA
MEDIUM : AIR
FLUIDE : LUFT
FLUIDO : ARIA

SERVICE PRESSURE = 13 bar MAX.
BETRIEBSDRUCK
PRESSION DE SERVICE
PRESSIONE D'ESERCIZIO

JED-388-0-M22x1.5 VOSS SYSTEM 230,
TORQUE 35 Nm MAX.

JED-388-0-M22x1.5 VOSS SYSTEM 230,
ANZUGSMOMENT 35 Nm MAX.

JED-388-0-M22x1.5 VOSS SYSTEM 230,
COUPLE DE SERRAGE 35 Nm MAX.

JED-388-0-M22x1.5 VOSS SYSTEM 230,
COPPIA DI SERRAGGIO 35 Nm MAX.

VP =

PORTS ORIFICES	ANSCHLUESSE ATTACCHI	21	22	23	24
OPENING PRESSURE DYNAMIC OEFFNUNGSDRUCK DYNAMISCH PRESSION DE OUVERTURE DYNAM PRESSIONE DI APERTURA DINAM	BAR	6.9 ⁺⁰ / _{-0.3}	6.9 ⁺⁰ / _{-0.3}	7.0 ⁺⁰ / _{-0.3} *	6.9 ⁺⁰ / _{-0.3}
CLOSING PRESSURE DYNAMIC SCHLISSDRUCK DYNAMISCH PRESSION DE FERMETURE DYNAM PRESSIONE DI CHIUSURA DINAM	BAR	> 5.0			
CLOSING PRESSURE STATIC AT FAILURE OF CIRCUIT... SCHLISSDRUCK STATISCH BEI AUSFALL VON KREIS... PRESSION DE FERMETURE STATIQUE EN CAS DE DEFAILLANCE DU CIRCUIT... PRESSIONE DI CHIUSURA STATICA IN CASO DI DIFETTO DEL CIRCUITO...	BAR	0	> 4.5	#	> 4.5
		> 4.5	0	> 4.5	> 4.5
		> 4.5	> 4.5	0	> 4.5
		> 4.5	> 4.5	> 4.5	0

General Specification: JED-334-0		Copyright WABCO®	
Further Technical Data:		Date	Signature
Doc. Code:	Sheet: To	2006-07-04	Kalirka
General Tolerances JED-261		Checked	2006-08-01
Range of Nominal Dimensions (± mm)		Expert	Mach
Class	1) ≤ 50	> 50 > 180	> 180 > 400
Fine	0.5	1.0	1.5
Medium	X 1.0	2.0	3.0
Coarse	2.0	3.5	5.0
		6.5	
		± 3*	
12958	1A	2007-04-05	
DDN-No., Rev., Date	State of Revision	Tapped Holes acc. JED-152	
1) Tolerance Class Applied Crossmarked		Material No.	WABCO IS. No.: 9347H4000
A 1		934 714 400 0	605
1:1		Function Code	Prod. Type
510		Pro/E	0 0 X
		Replacement for	