

FIRST ANGLE PROJECTION

ADMISSIBLE TEMPERATURES.  
THERMISCHER ANWENDUNGSBEREICH.  
TEMPERATURE DE SERVICE -40°C TO +90°C  
TEMPERATURA D'ESERCIZIO.

SERVICE PRESSURE.  
BETRIEBSDRUCK. MAX 13 bar.  
PRESSION DE SERVICE.  
PRESSIONE D'ESERCIZIO.

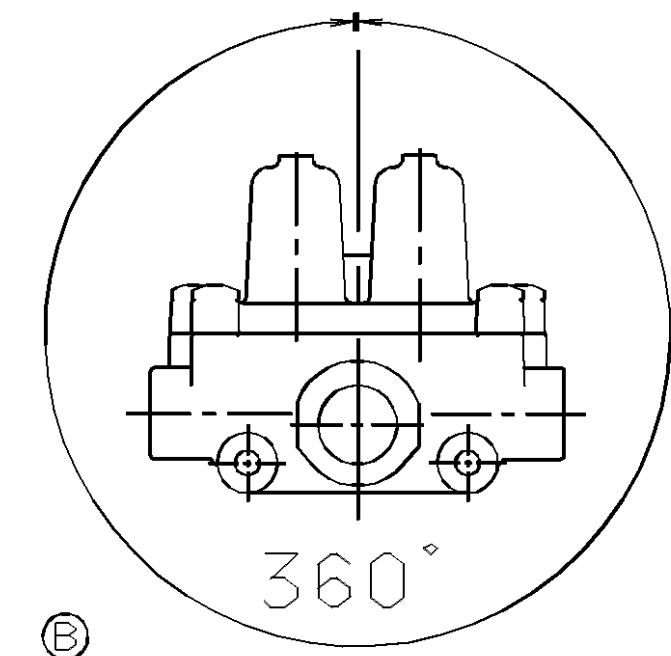
MEDIUM AIR  
MEDIUM LUFT.  
MILIEU AIR.  
FLUIDO ARIA.

CONNECTIONS ANSCHLUESSE  
ORIFICES ALIMENTATION  
ORIFIZI ALIMENTAZIONE

1 - SUPPLY LUFTINTRITT  
ALIMENTATION ALIMENTAZIONE

21- CIRCUIT 1 KREIS 1  
CIRCUIT 1 KREIS 2  
CIRCUITO 1 CIRCUITO 2

23- CIRCUIT 3 KREIS 3  
CIRCUIT 3 KREIS 4  
CIRCUITO 3 CIRCUITO 4

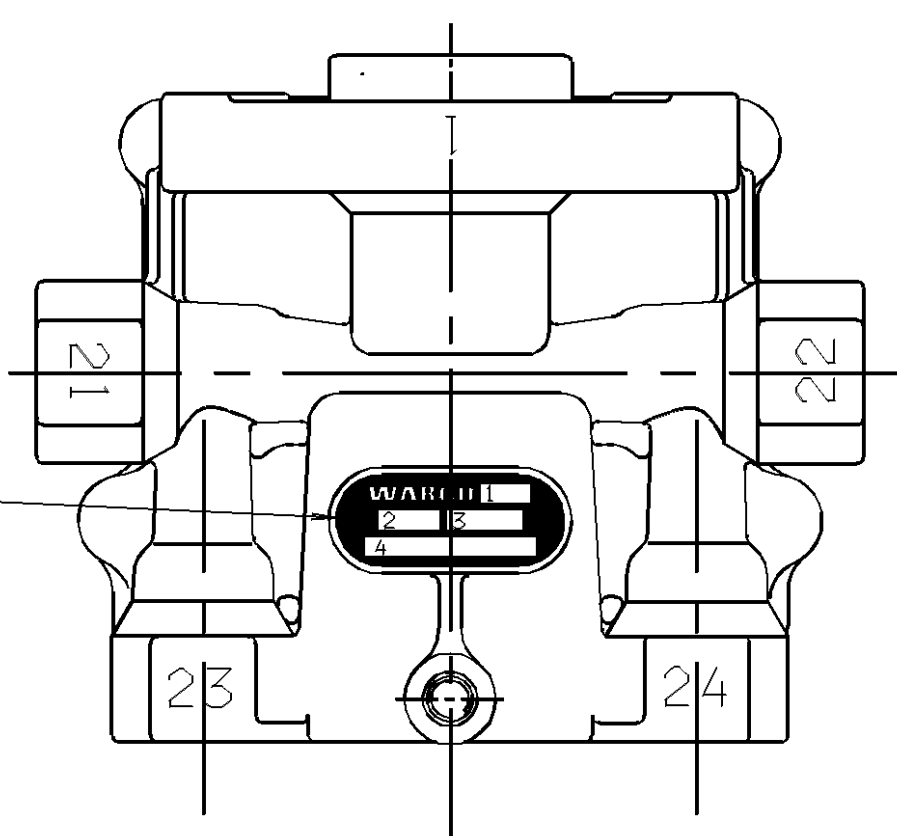


VALVE MAY BE MOUNTED AT ANY ANGLE, BUT TOWERS POINTING UP PREFERRED

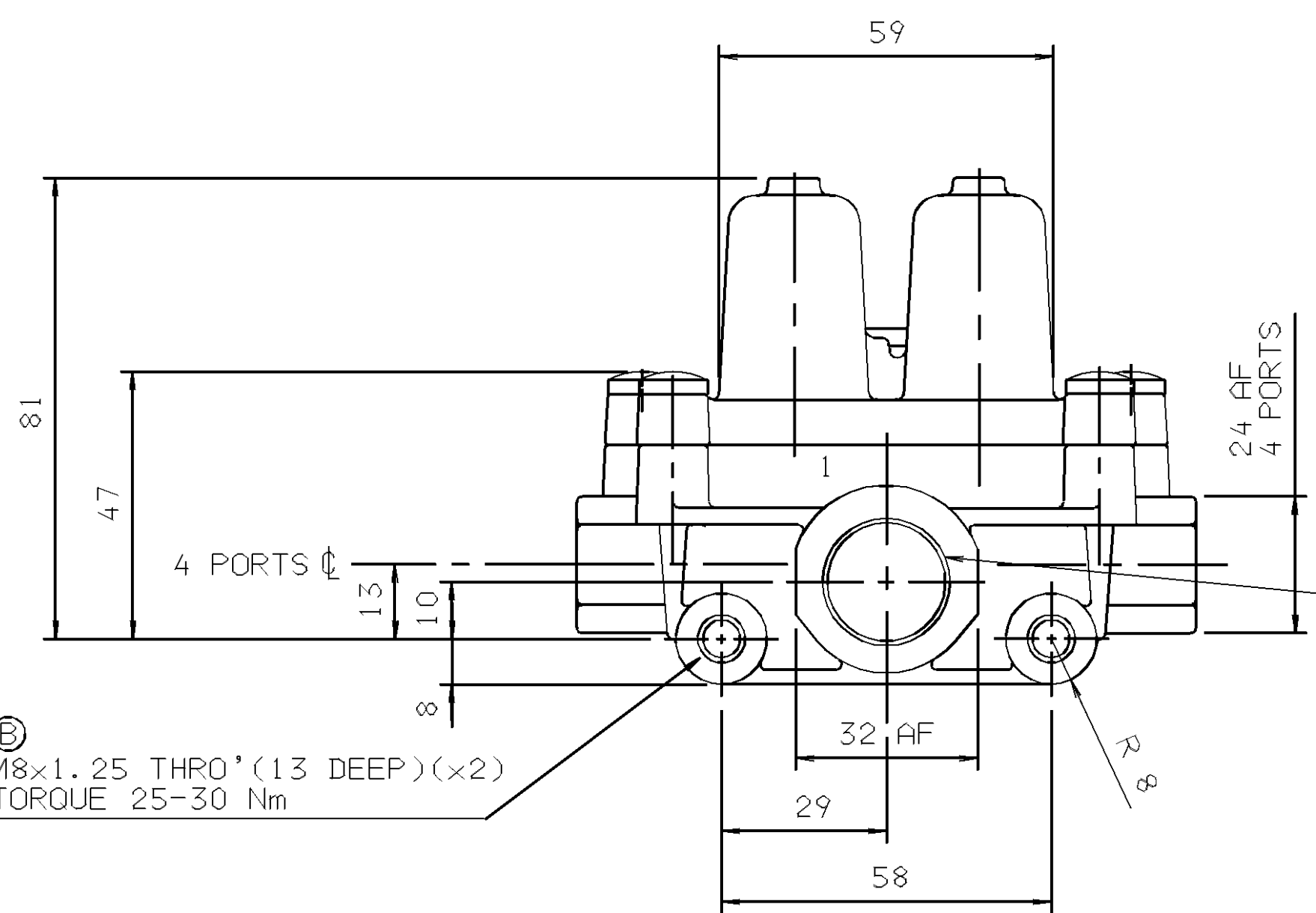
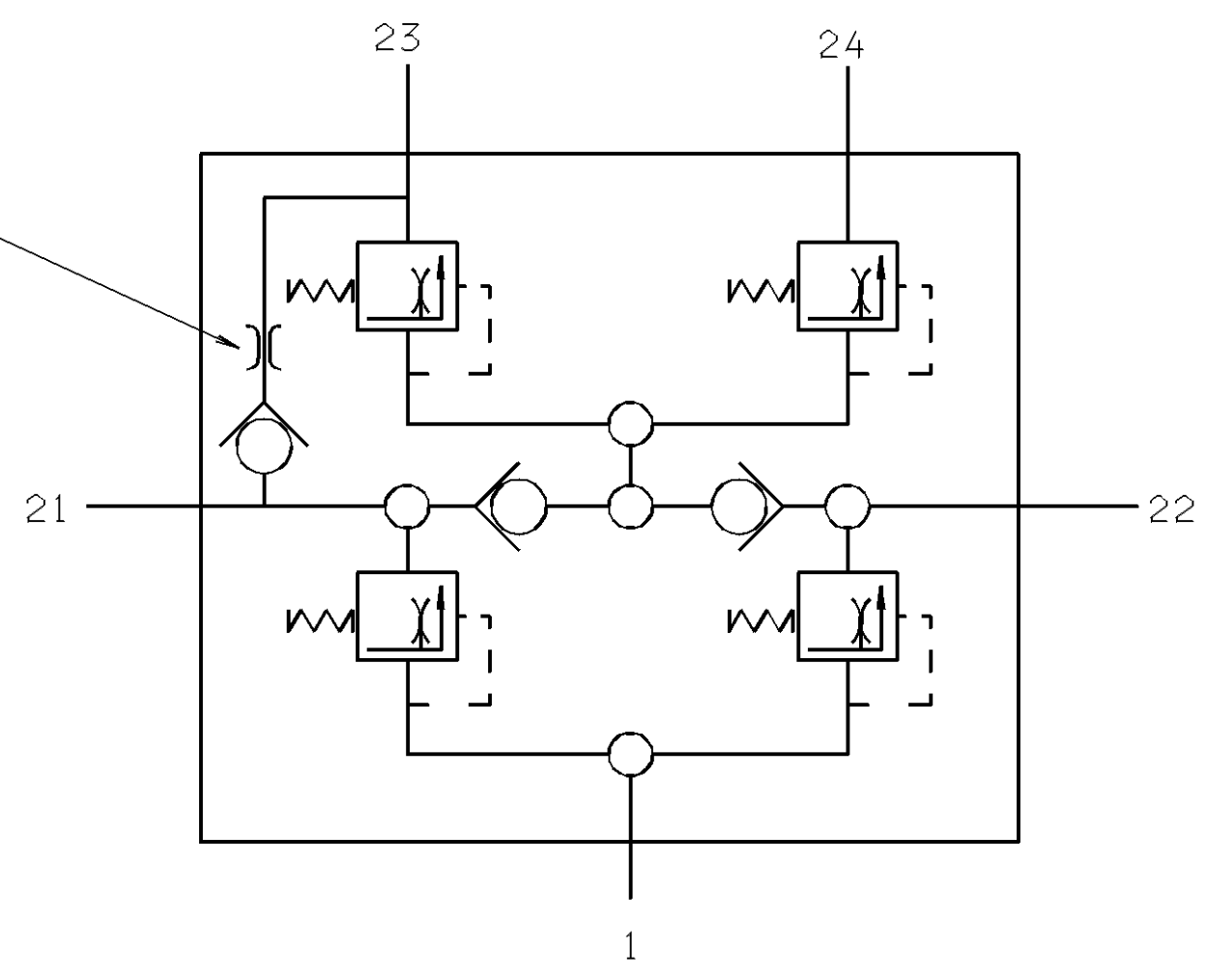
PORTS ORIFICES	ANSCHLUESSE ATTACCHI	21	22	23	24
OPENING PRESSURE DYNAMIC OEFFNUNGSDRUCK DYNAMISCH PRESSION DE OUVERTURE DYNAM PRESSIONE DI APERTURA DINAM	P1 BAR	7 +0 -0.3		7.5 +0 -0.3	7 +0 -0.3
CLOSING PRESSURE DYNAMIC SCHLIESSDRUCK DYNAMISCH PRESSION DE FERMETURE DYNAM PRESSIONE DI CHIUSURA DINAM	BAR	≥5			
CLOSING PRESSURE STATIC AT FAILURE OF CIRCUIT .... SCHLIESSDRUCK STATISCH BEI AUSFALL VON KREIS .... PRESSION DE FERMETURE STATIQUE EN CAS DE DEFAILLANCE DU CIRCUIT .... PRESSIONE DI CHIUSURA STATICA IN CASO DI DIFETTO DEL CIRCUITO ....	BAR	0	≥4.5	≥6.7 *	
		≥4.5	0	≥6.7 *	
		≥4.5		0	≥4.5
		≥4.5	≥4.5	0	

\* THE PRESSURE IN CIRCUIT 2,3 CAN BLEED DOWN TO THAT IN CIRCUIT 2,1.

LABEL MARKED WITH :  
1. PRODUCTION PLANT  
2. DATE OF MANUFACTURE  
3. REVISION LEVEL  
4. PART NUMBER

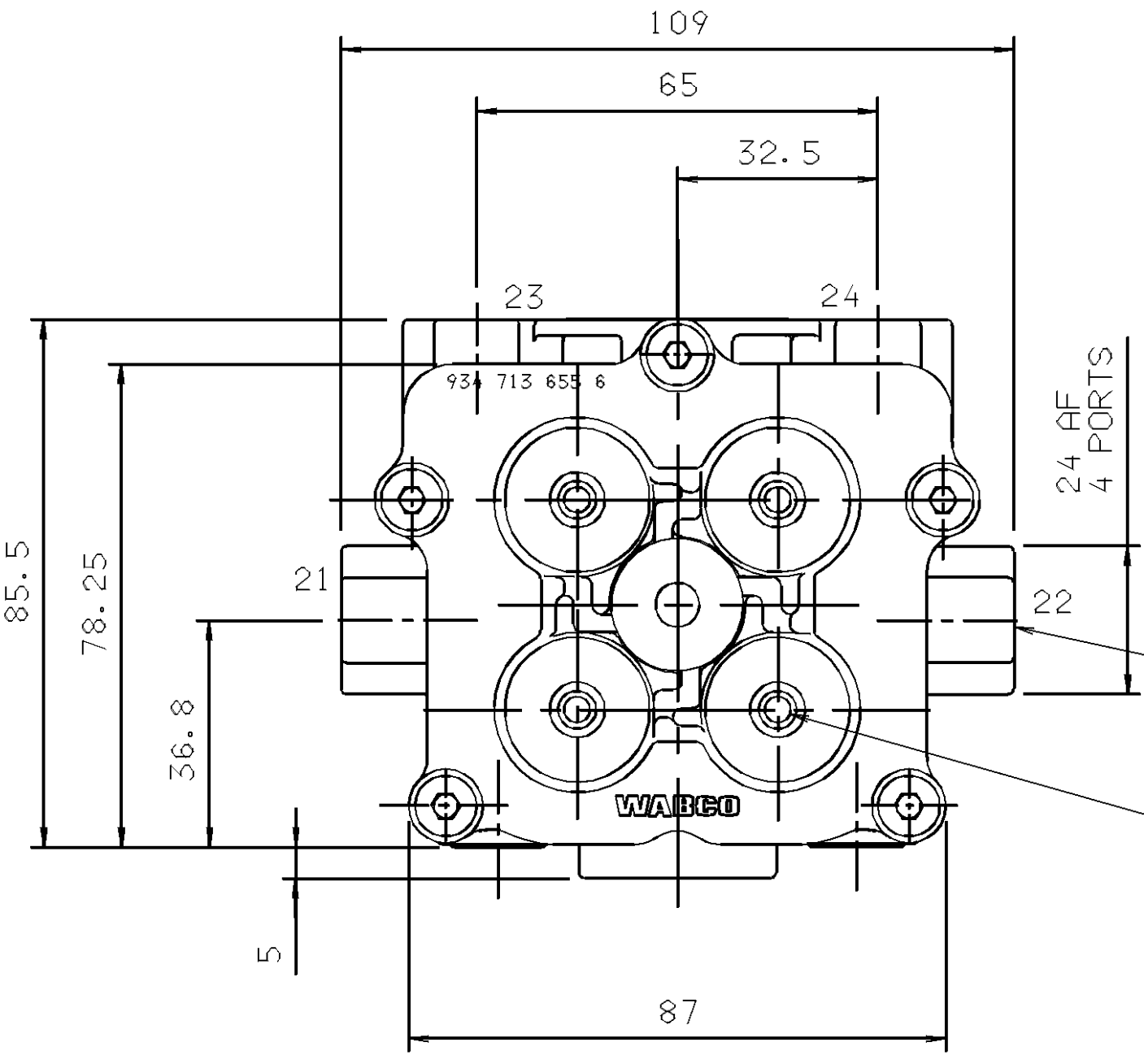


Ø 0.8 +0  
-0.5  
MAX FLOW=35 l/min  
AT p=8 bar



PORT 1  
M22x1.5-6H x16 FULL THREAD  
JED 152  
TORQUE 55 Nm MAX.

M8x1.25 THRO' (13 DEEP)(x2)  
TORQUE 25-30 Nm



M16x1.5-6H x13 FULL THREAD  
JED 152  
TORQUE 35 Nm MAX.

4 ADJUSTERS SECURED, AGAINST TAMPERING, WITH LOCTITE AFTER TEST.

Ⓟ CORROSION PROTECTION:-  
ALUMINIUM PARTS CHROMATED TO CDS 155 (JED-128P)  
SCREWS MECHANICALLY ZINC PLATED AND YELLOW PASSIVATED (FORD SPEC. S71M)

DRAWING PRODUCED ON CADAM  
MANUAL CHANGES PROHIBITED

DIMENSIONS IN MILLIMETRES

FURTHER TECHNICAL DATA SEE				COPYRIGHT		WABCO	
IDENTIFICATION No.:	L	K		DATE	SIGNATURE	QUADRUPLE CIRCUIT PROTECTION VALVE. VIERKREIS - SCHUTZVENTIL.	
CODE FOR DOCUMENT:	J	H		7/12/95	JPS.WELLINGS	VALVE DE PROTECTION LA 4 CIRCUITS. VALVOLA DI PROTEZIONE LA 4 CIRCUITI.	
GENERAL TOLERANCES				CHECKED			
RANGE OF NOMINAL DIMENSIONS (mm)				STANDARDISATION			
CLASS	I	II	III	8/12/95 I.R. BRINES			
	±0.1	±0.15	±0.2	PRODUCT SPECIFICATION No.			
	±0.2	±0.3	±0.4	300280	-C	12/06/97	1.1 kg
	±0.3	±0.4	±0.5	300166	6B	24/ 3/97	1:1
	±0.4	±0.5	±0.6	6034	A	8/12/95	SIZE T.R.I
	±0.5	±0.6	±0.7	DCN-No	REV	DATE	300
1) TOLERANCE CLASS APPLIED CROSSMARKED				REPLACEMENT FOR			

NOTICE: REPRODUCTION OF THIS DOCUMENT IS PROHIBITED WITHOUT THE WRITTEN PERMISSION OF WABCO. ALL RIGHTS RESERVED. WABCO AND THE WABCO LOGO ARE TRADEMARKS OF WABCO. ALL OTHER TRADEMARKS ARE THE PROPERTY OF THEIR RESPECTIVE OWNERS. WABCO ASSUMES NO LIABILITY FOR INJURY OR DAMAGE RESULTING FROM THE USE OF THIS DOCUMENT. THIS DOCUMENT IS THE PROPERTY OF WABCO. ALL RIGHTS RESERVED. WABCO AND THE WABCO LOGO ARE TRADEMARKS OF WABCO. ALL OTHER TRADEMARKS ARE THE PROPERTY OF THEIR RESPECTIVE OWNERS. WABCO ASSUMES NO LIABILITY FOR INJURY OR DAMAGE RESULTING FROM THE USE OF THIS DOCUMENT. THIS DOCUMENT IS THE PROPERTY OF WABCO. ALL RIGHTS RESERVED.