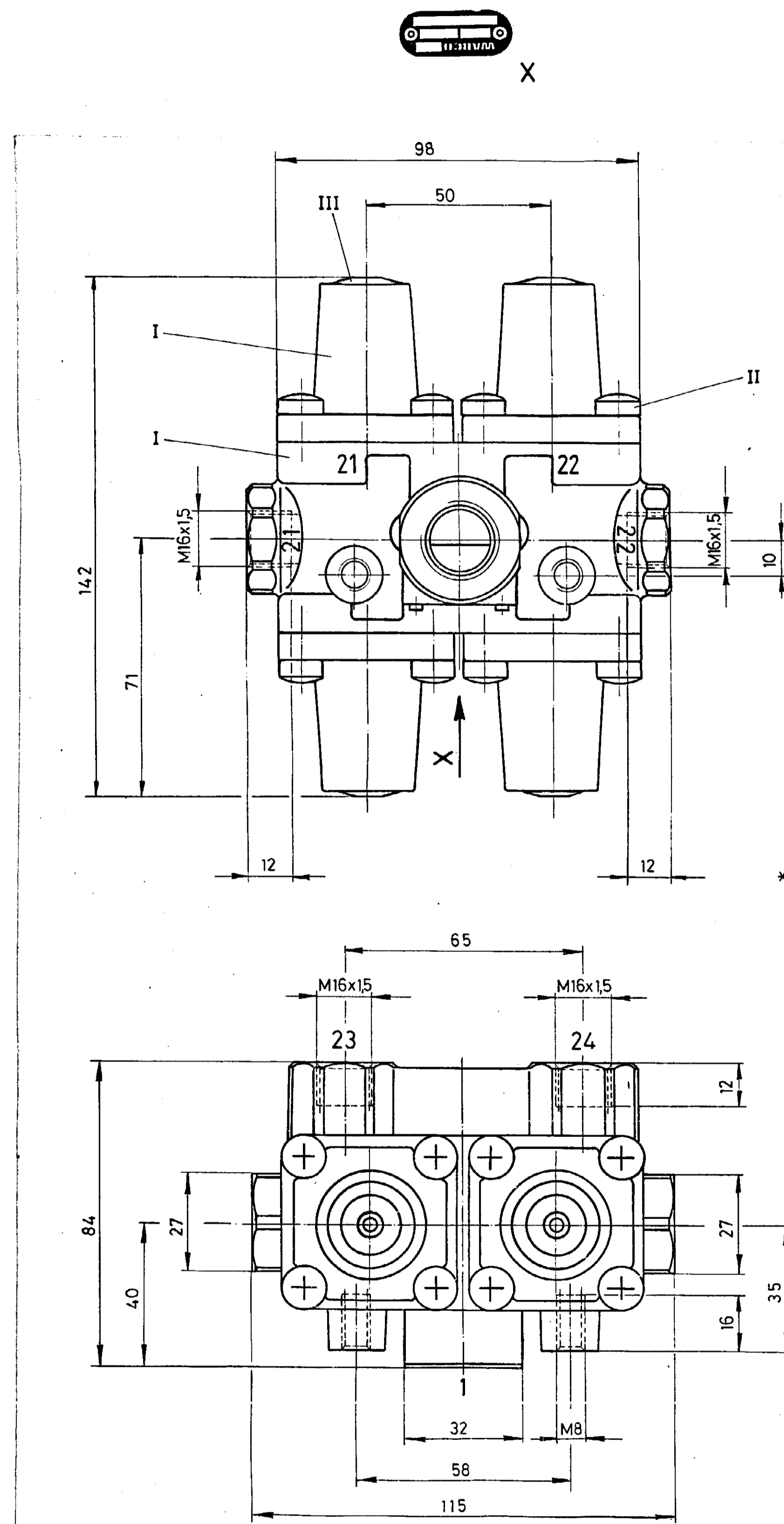


SURFACE PROTECTION  
 OBERFLAECHENSCHUTZ  
 PROTECTION DE SURFACE  
 PROTEZIONE SUPERFICIALE

I	JED-259
II	JED-256
III	GUMMI



\* OPENING PRESSURE = MAINTAINED PRESSURE  
 OEFFNUNGSDRUCK = GESICHERTER DRUCK  
 PRESSION D'OUVERTURE = PRESSION MAINTENUE  
 PRESSIONE DI APERTURA = PRESSIONE MANTENUTA

ADMISSIBLE TEMPERATURES  
 THERM. ANWENDUNGSBEREICH  
 TEMPERATURE DE SERVICE  
 TEMPERATURA D'ESERCIZIO  
 -40...+90°C

CONNECTIONS: 1 = SUPPLY  
 ANSCHLUESSE: 1 = LUFTEINTRITT  
 ORIFICES: 1 = ALIMENTATION  
 ORIFIZI: 1 = ALIMENTAZIONE

21 = CIRCUIT 1  
 21 = KREIS 1  
 21 = CIRCUIT 1  
 21 = CIRCUITO 1

22 = CIRCUIT 2  
 22 = KREIS 2  
 22 = CIRCUIT 2  
 22 = CIRCUITO 2

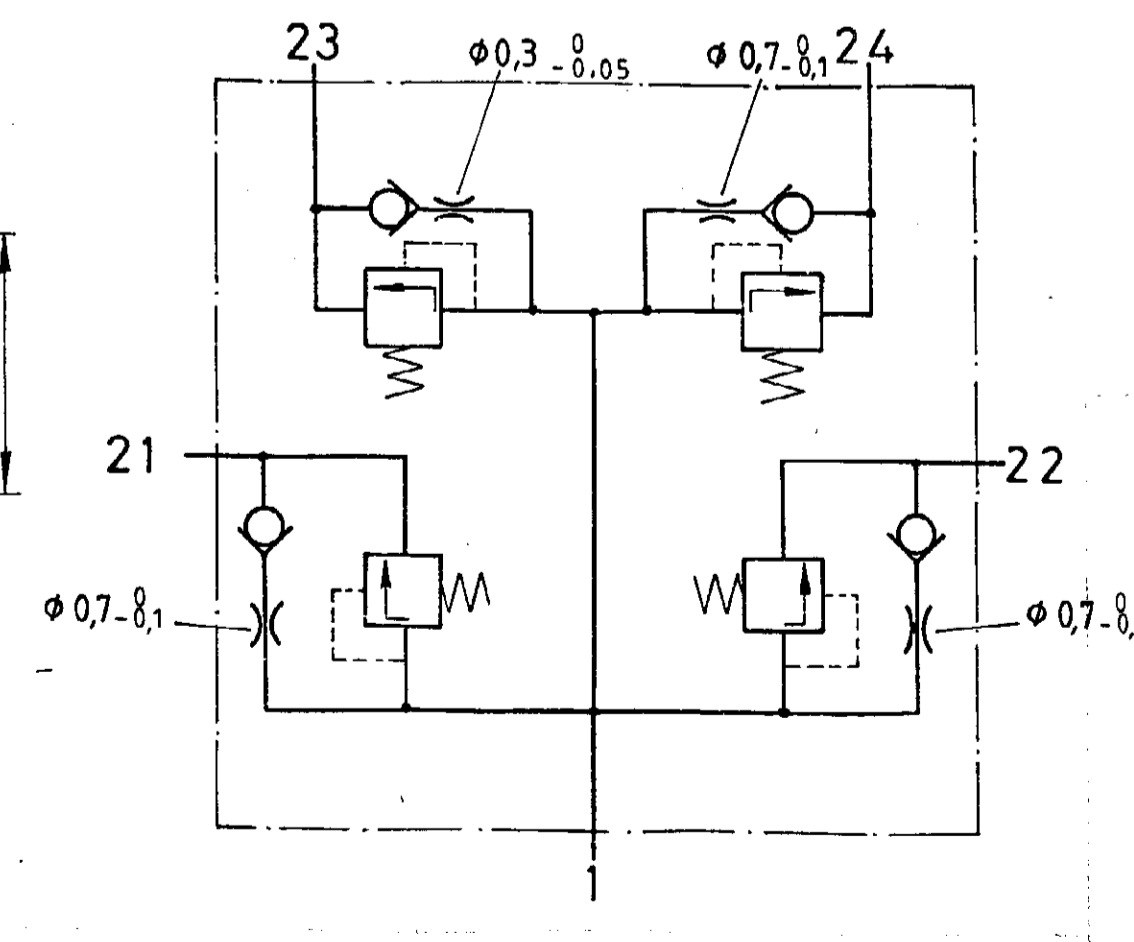
SERVICE PRESSURE  
 BETRIEBSDRUCK  
 PRESSION DE SERVICE  
 PRESSIONE D'ESERCIZIO  
 MAX. 10 bar

23 = CIRCUIT 3  
 23 = KREIS 3  
 23 = CIRCUIT 3  
 23 = CIRCUITO 3

MEDIUM: AIR  
 MEDIUM: LUFT  
 MILIEU: AIR  
 FLUIDO: ARIA

24 = CIRCUIT 4  
 24 = KREIS 4  
 24 = CIRCUIT 4  
 24 = CIRCUITO 4

CIRCUIT KREIS CIRCUIT CIRCUITO	21	22	23	24
OPENING PRESSURE [bar] OEFFNUNGSDRUCK [bar] PRESSION D'OUVERTURE [bar] PRESSIONE DI APERTURA [bar]	6,5 <sup>0</sup> <sub>-0,3</sub>	6,5 <sup>0</sup> <sub>-0,3</sub>	7,5 <sup>0</sup> <sub>-0,3</sub>	6,5 <sup>0</sup> <sub>-0,3</sub>
CLOSING PRESSURE DYNAMIC [bar] SCHLISSDRUCK DYNAMISCH [bar] PRESSION DE FERMETURE DYNAM. [bar] PRESSIONE DI CHIUSURA DINAM. [bar]	≅ 4,5			
CLOSING PRESSURE STATIC [bar] AT FAILOR OF CIRCUIT... SCHLISSDRUCK STATISCH [bar] BEI AUSFALL VON KREIS... PRESSION DE FERMETURE STAT. [bar] EN CAS DE DEFAILLANCE DU CIRCUIT... PRESSIONE DI CHIUSURA STATICO [bar] IN CASO DI DIFETTO DEL CIRCUITO...	0 ≅ 4,0	≅ 4,0 0	≅ 4,0 0	0 ≅ 4,0



FURTHER TECHNICAL DATA SEE

IDENTIFICATION No. DATE SIGNATURE

CODE FOR DOCUMENT: 605 SHEET: TO

GENERAL TOLERANCES

CLASS	RANGE OF NOMINAL DIMENSIONS (mm)			
	≤ 50	> 50 - ≤ 180	> 180 - ≤ 400	> 400
I	0,5	1	1,5	2
II	X 1	2	3	4
III	2	3,5	5	6,5

TAPPED HOLES ACC. ISO 4039 / JED-152

1) TOLERANCE CLASS APPLIED CROSSMARKED

WABCO

4-CIRCUIT PROTECTION VALVE  
 4-KREIS-SCHUTZVENTIL  
 VALVE DE PROTECTION A 4-CIRCUITS  
 VALVOLA DI PROTEZIONE A 4-CIRCUITI

MASS SCALE 1:1

934 702 387 0

605 1/1

100 mm

Vertical text on the left margin, likely a barcode or identification code.