

SURFACE PROTECT. OBERFL. SCHUTZ	
I	JED-240-3
II	JED-256-1
III	JED-371
IV	AL, JED-259
V	GUMMI / KUNSTSTOFF
VI	MS
VII	JED-240-2
TECHNICAL DATA TECHNISCHE DATEN	
VIII	
IX	
X	

MEDIUM : AIR  
 MEDIUM : LUFT  
 FLUIDE : AIR  
 FLUIDO : ARIA

NOMINAL DIAMETER : MIN Ø8.5  
 NENNWEITE : MIN Ø8.5  
 DIAMETRE NOMINAL :  
 DIAMETRO NOMINALE :

WIDTH ACROSS FLATS SW  
 SOHALLESSELWEITE  
 SURPLATS  
 LAGHEZZA IN CHIAVE

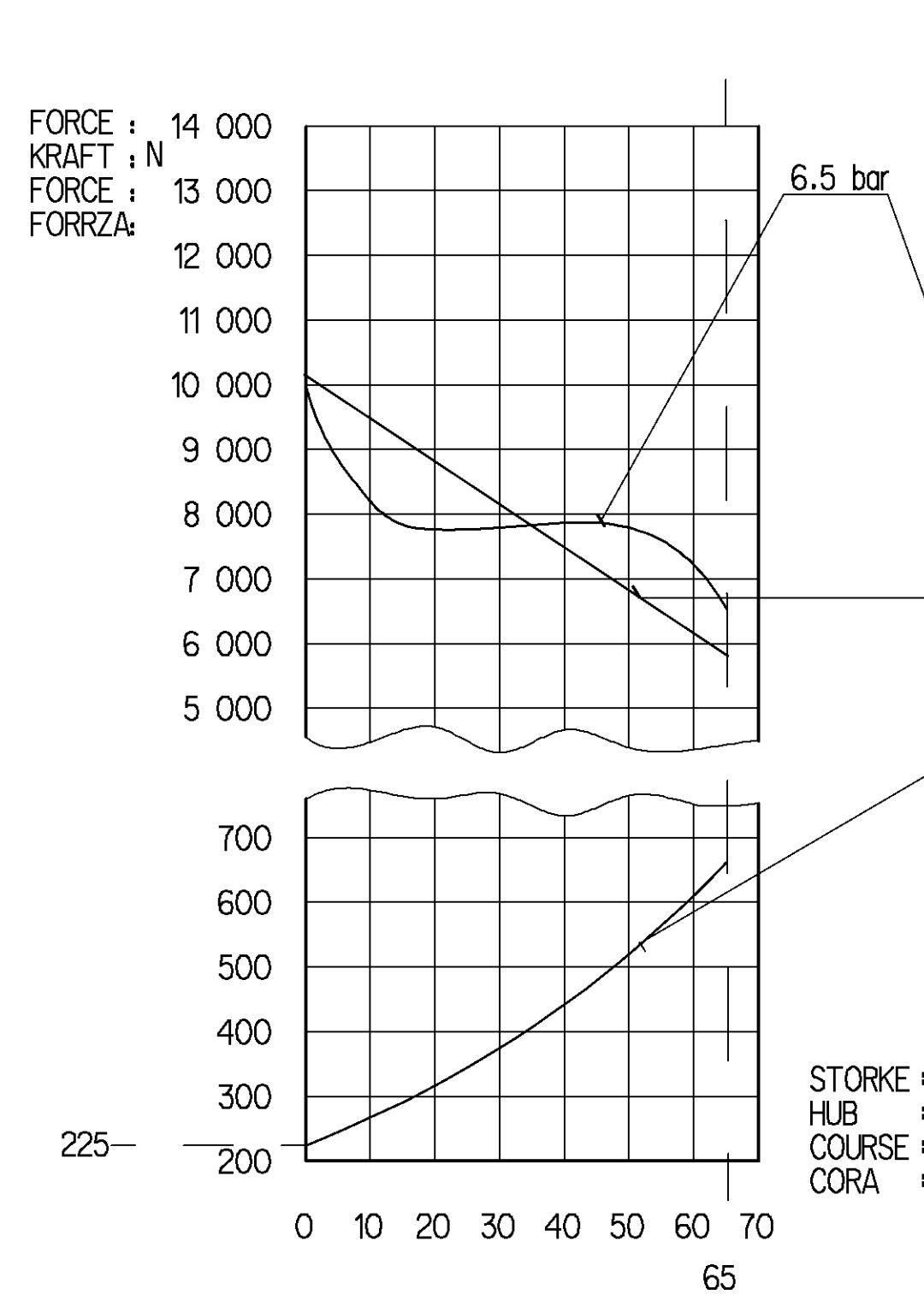
THERMAL RANGE OF APPLICATION :  
 THERMISCHER ANWENDUNGSBEREICH : -40°C...+80°C  
 BAINNE D'APPLICATION TERMIQUE :  
 CAMPO DI APPLICAZIONE TERMICA :

PORT : SERVICE BRAKING SYSTEM, WORKING PRESSURE  
 ANSCHLUSS : 11 BETRIEBSBREMSANLAGE, BETRIEBSDRUCK  
 ORIFICE : DISPOSITIF DE FREINAGE DE SERVICE, PRESSION D'UTILISATION  
 ORIFIZIO : DISPOSITIVO DI FRENATURA DI SERVIZIO, PRESSIONE DI ESERCIZIO

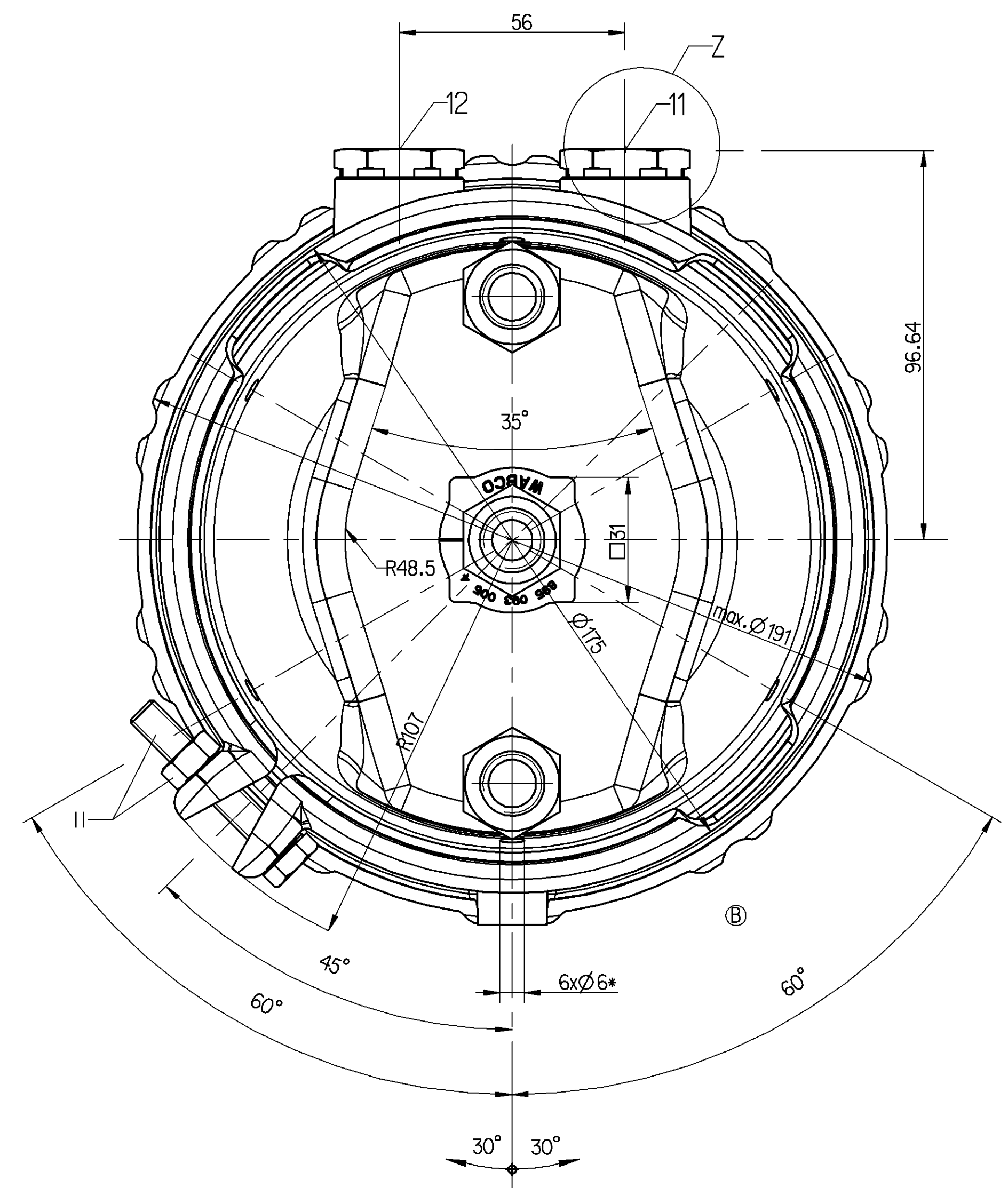
(TEMPORARILY : Pe max. = 10.2 bar  
 (KURZZEITIG : Pe max. = 13 bar  
 (DE COURTE DUREE :  
 (BREVE TEMPO SOLO :

PORT : SPRING BRAKE CYLINDER, WORKING PRESSURE  
 ANSCHLUSS : 12 FEDERSPEICHERZYLINDER, BETRIEBSDRUCK  
 ORIFICE : CYLINDRE A RESSORT, PRESSION D'UTILISATION  
 ORIFIZIO : CILINDRO A MOLLA, PRESSIONE DI ESERCIZIO

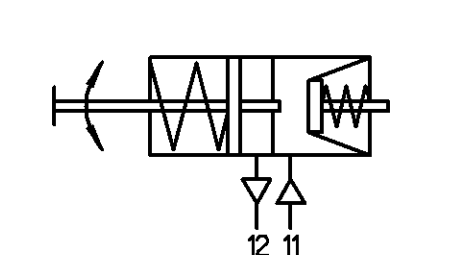
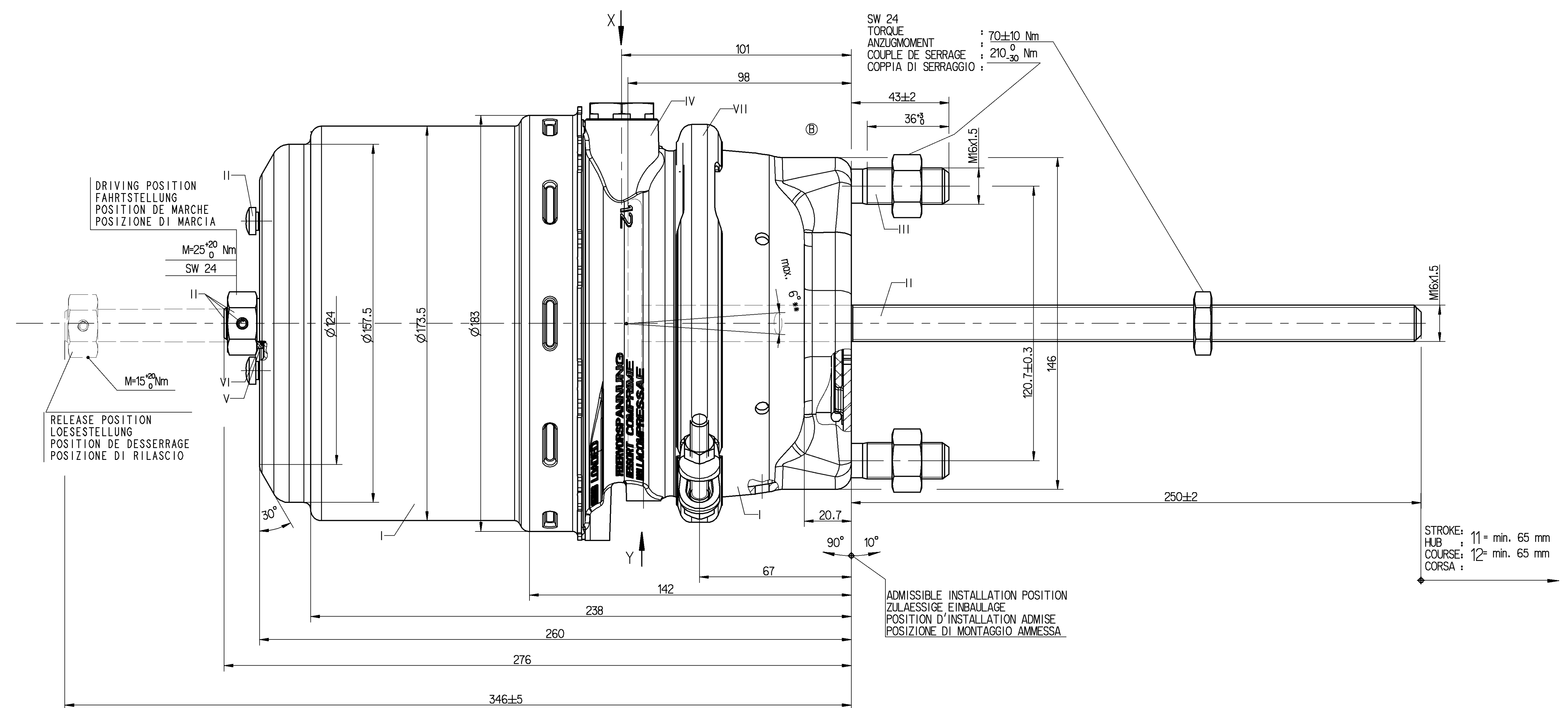
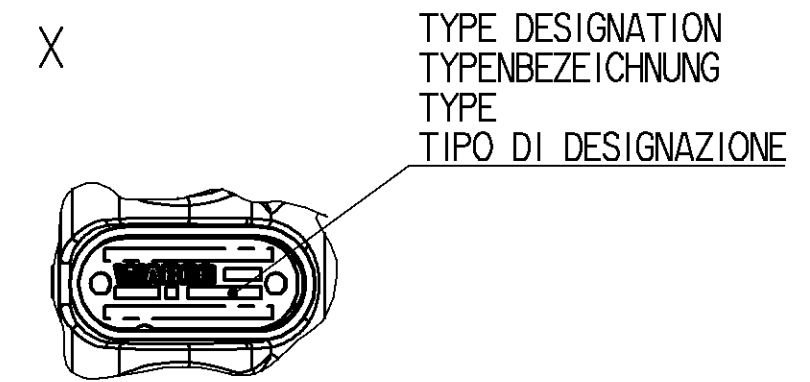
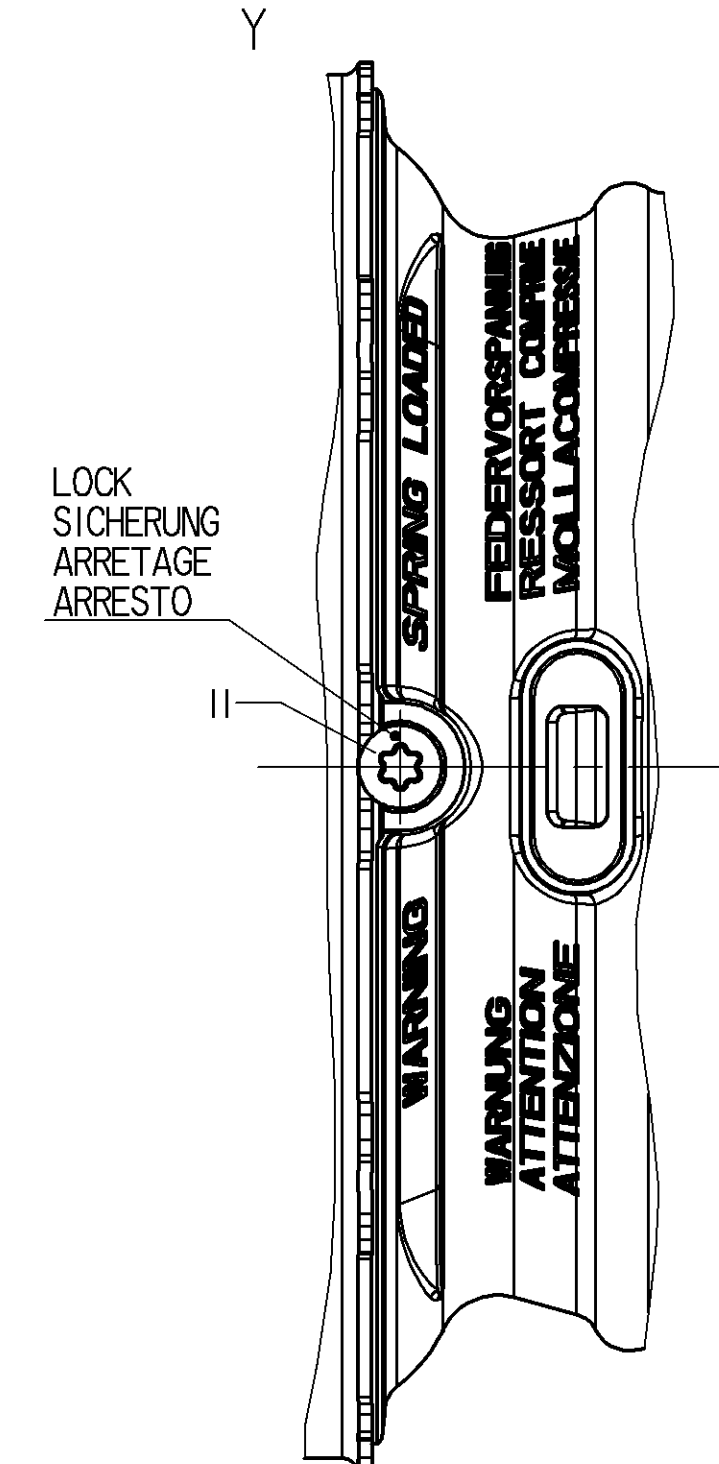
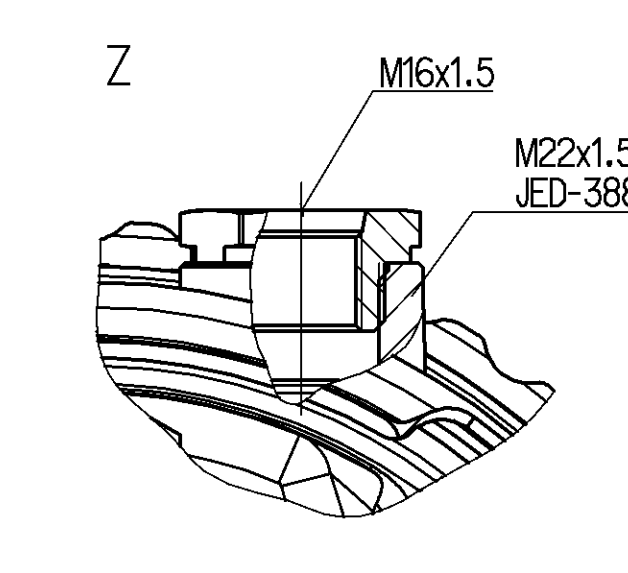
(TEMPORARILY : Pe max. = 8.5 bar  
 (KURZZEITIG : Pe max. = 11 bar  
 (DE COURTE DUREE :  
 (BREVE TEMPO SOLO :



- OPEN BREATHER HOLE  
 OFFEN ATMUNGSBOHRUNG  
 VERT TROU RENIFLEUR  
 APERTO FORO RESPIRATORE
- DEFLECTION : 6° AT STROKE  
 AUSLENKUNG : BEI HUB 0 mm  
 DEFLEXION : A COURSE  
 DEVIAZIONE : A CORSA
- DELIVERY  
 ANLIEFERUNG  
 LIVRAISON  
 FORNITURA
- RELEASE POSITION  
 LOESESTELLUNG  
 POSITION DE DESSERRAGE  
 POSIZIONE DI RILASCIO
- DRIVING POSITION  
 FAHRTSTELLUNG  
 POSITION DE MARCHÉ  
 POSIZIONE DI MARCIA



TO BE INSTALLED WITH LOWER BREATHER HOLE OPEN  
 IM EINBAUZUSTAND UNTERE ATMUNGSBOHRUNG OFFEN  
 A MONTER AVEC LE RENIFLARD INFÉRIEUR OUVERT  
 INSTALLAZIONE: CON IL FORO DI SFILATO INFERIORE APERTO



GENERAL SPECIFICATION JED-334-0		PROVENIENZA DISEGNO		WABCO	
FURTHER TECHNICAL DATA		DATE		TRISTOP® - CYLINDER	
DOC. CODE	SHEET TO	03-07-05	Suberski	TRISTOP® - ZYLINDER	20/24
GENERAL TOLERANCES		DESIGNER		CYLINDRE-TRISTOP®	
RANGE OF NOMINAL DIMENSIONS ( ± mm)		EXPERT CODE		CILINDRO-TRISTOP®	
CLASS II	≤ 50	180	400	400	
FINE	0.5	1.0	1.5	2.0	
MEDIUM	1.0	2.0	3.0	4.0	
COURSE	2.0	3.5	5.0	6.5	
MASS SCALE		PRODUCT IDENTIFICATION NO.		DOC. CODE SHEET	
-9.5		925 490 102 0		605 1/1	
TAPPED HOLES ACC. ISO 4029 / JIS-B2		FUNCTION CODE		REPLACEMENT FOR	
11 TOLERANCE CLASS APPLIED UNLESS OTHERWISE		A 0 520		REC 430 335 0 of 2003-07-05	
DRAWING REV. DATE		DATE			
08/1111 1/A 03-07-15		03-07-15			