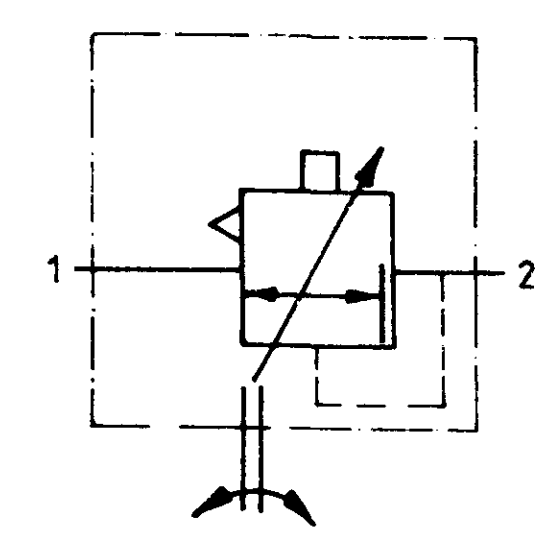
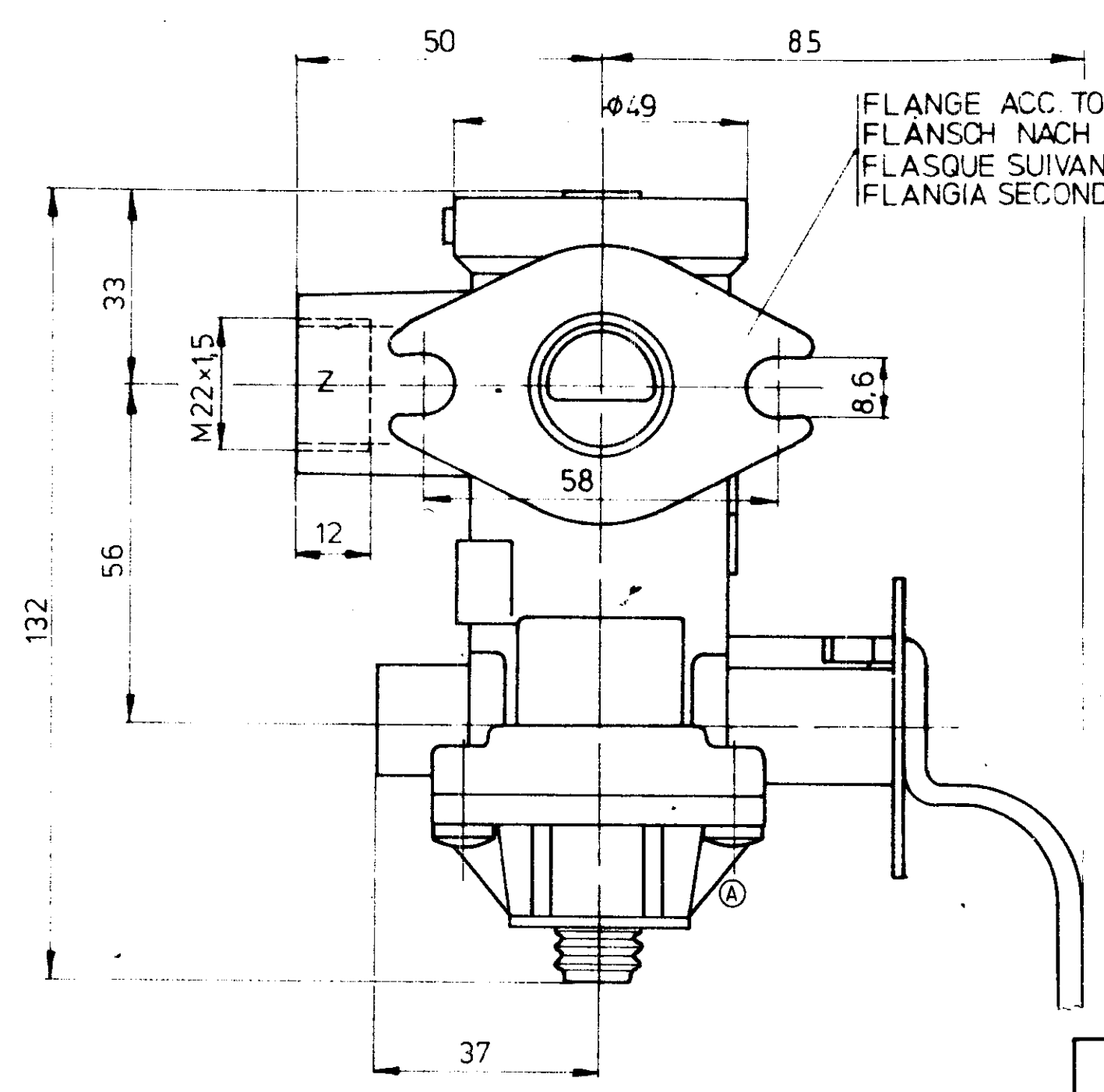
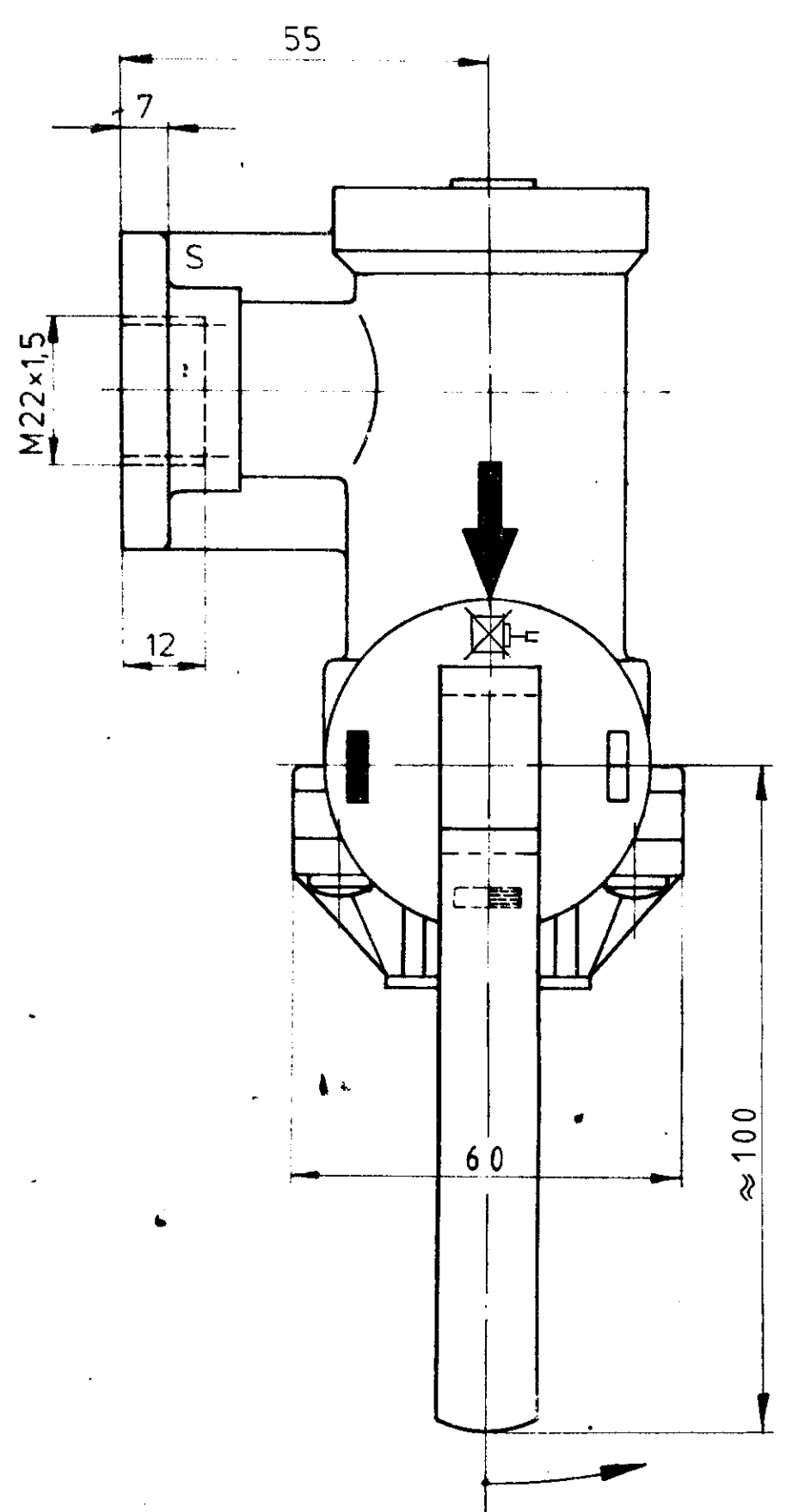


Tous droits de propriété industrielle réservés. Reservati tutti i diritti in caso di concessione di brevetti o di registrazione di un modello di utilità. All rights are reserved in the event of the grant of a patent or the registration of a utility model or design. Alle Rechte für den Fall der Patenterteilung oder Gebrauchsmuster-Eintragung vorbehalten.



WORKING PRESSURE:  
 BETRIEBSDRUCK: **MAX. 10 bar**  
 PRESSION DE SERVICE:  
 PRESSIONE D'ESERIZIO

THERMAL RANGE OF APPLICATION:  
 THERMISCHER ANWENDUNGSBEREICH: **-40°C ... +80°C**  
 GAMME D'APPLICATION:  
 CAMPO TERMICO DI UTILIZZAZIONE:

MEDIUM: AIR  
 MEDIUM: LUF T  
 FLUIDE: AIR  
 FLUIDO: ARIA

1 = S = INLET  
 EINGANG  
 ADMISSION  
 AMMISSIONE

2 = Z = OUTLET  
 AUSGANG  
 SORTIE  
 USCITA

|  |                                                                                                            |                                                                                                       |
|--|------------------------------------------------------------------------------------------------------------|-------------------------------------------------------------------------------------------------------|
|  | RELEASE POSITION<br>L'ESTABLISSEMENT<br>POSITION DE DESSERAGE<br>POSIZIONE DI RILASCIO                     |                                                                                                       |
|  | RANGE OF ADJUSTMENT:<br>EINSTELLBEREICH: <b>1,4 ... 2,8 bar</b><br>ZONE DE REGLAGE:<br>ZONA DI REGOLAZIONE | ADJUSTED TO:<br>EINGESTELLT AUF: <b>2,1<sup>0</sup><sub>-0,2</sub> bar</b><br>REGLE A:<br>REGOLATO A: |
|  | RANGE OF ADJUSTMENT:<br>EINSTELLBEREICH: <b>3,4 ... 4,3 bar</b><br>ZONE DE REGLAGE:<br>ZONA DI REGOLAZIONE | ADJUSTED TO:<br>EINGESTELLT AUF: <b>4,0<sup>0</sup><sub>-0,2</sub> bar</b><br>REGLE A:<br>REGOLATO A: |
|  | NOMINAL PASSAGE:<br>FREIER DURCHGANG:<br>DIAMETRE NOMINAL:<br>DIAMETRO NOMINALE:                           |                                                                                                       |

| CLASS | RANGE OF NOMINAL DIMENSIONS<br>(± mm) |      |               |                |       | FORCE, POWER,<br>PRESSURE<br>ETC.<br>(± %) |
|-------|---------------------------------------|------|---------------|----------------|-------|--------------------------------------------|
|       | 1)                                    | ≤ 50 | > 50<br>≤ 180 | > 180<br>≤ 400 | > 400 |                                            |
| I     |                                       | 0,5  | 1             | 1,5            | 2     | 5                                          |
| II    |                                       | 1    | 2             | 3              | 4     | 10                                         |
| III   | X                                     | 2    | 3,5           | 5              | 6,5   | 20                                         |

1) CHECK OFF WHERE APPLICABLE

|                                           |          |                     |                                                                                                                     |
|-------------------------------------------|----------|---------------------|---------------------------------------------------------------------------------------------------------------------|
| J<br>H<br>G<br>F<br>E<br>D<br>C<br>B<br>A | DATE     | SIGNATURE           | <b>WABCO WESTINGHOUSE</b><br>EMPTY-LOAD VALVE<br>ROBINET VIDE-CHARGE<br>VALVOLA DI VUOTO-CARICO<br>BREMSKRAFTREGLER |
|                                           | 78-09-08 | <i>Reppelt</i>      |                                                                                                                     |
|                                           | 78-09-08 | <i>Reppelt</i>      |                                                                                                                     |
|                                           | 78-09-11 | <i>Reppelt</i>      |                                                                                                                     |
| MASS                                      | SCALE    | IDENTIFICATION CODE |                                                                                                                     |
| 23873 <sup>ND</sup> 1x                    | 1:1      | 475 604 011 0       | 1/1                                                                                                                 |
| DATE                                      | DATE     | DATE                |                                                                                                                     |
| 81-02-20                                  |          |                     |                                                                                                                     |
| SIZE                                      | TYPE     | CODE FOR FUNCTION   | CODE FOR SHAPE                                                                                                      |
| A 2                                       | 140      |                     | 605                                                                                                                 |