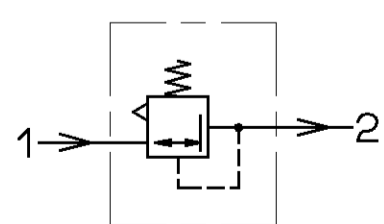
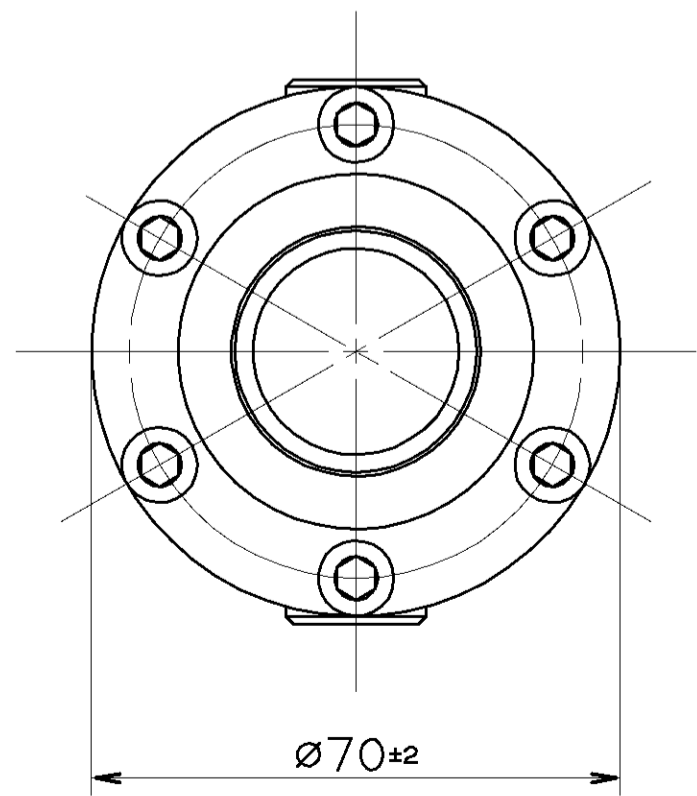
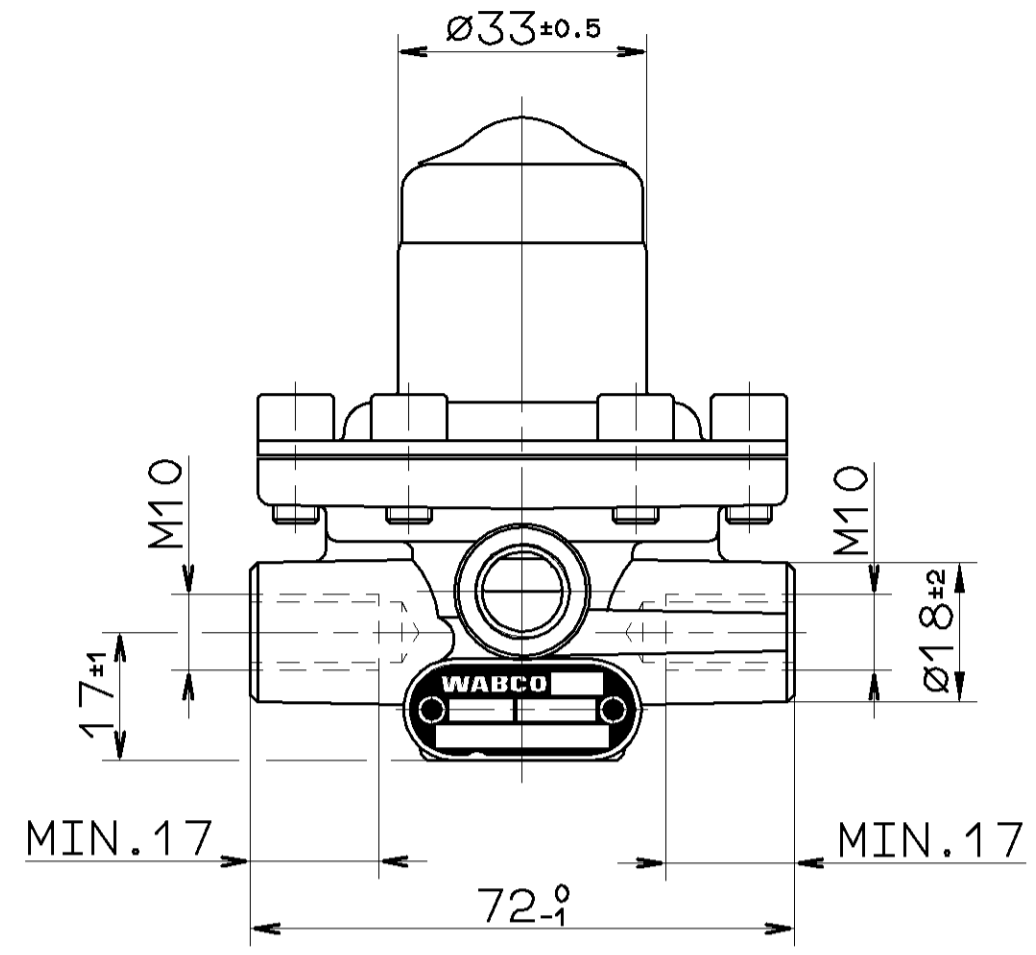
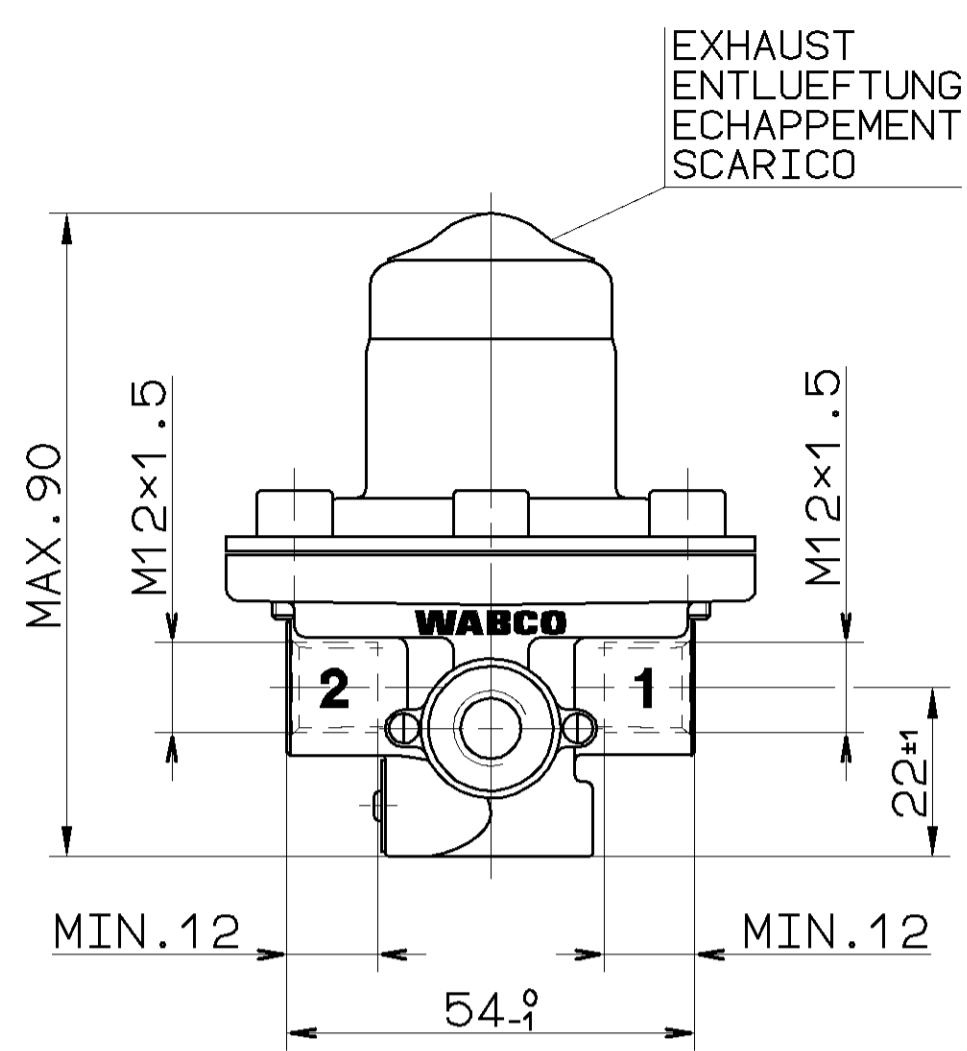


NON È PERMESSO CONSERVARE A TERZI O RIPRODURRE QUESTO DOCUMENTO. NE UTILIZZARE IL CONTENUTO O RES-
 ALENDO E COMMERCIALIZZANDO IL RENDIMENTO DEL MODELLO. È FATTA RISERVA DA TUTTI I DIRITTI DERIVANTI DA
 BREVETTI O MODELLI.
 COPIING OF THIS DOCUMENT AND GIVING IT TO OTHERS AND THE USE OF COMMUNICATION OF THE CONTENTS THEREOF,
 WITHOUT THE WRITTEN PERMISSION OF WABCO, IS PROHIBITED. ALL RIGHTS ARE RESERVED IN THE EVENT OF THE
 ABUSE AND RESULT IN A LIABILITY TO THE PAYMENT OF DAMAGES. ALL RIGHTS ARE RESERVED IN THE EVENT OF THE
 GRANT OF PATENT OR REGISTRATION OF A UTILITY MODEL OR DESIGN. THIS DOCUMENT IS THE SUBJECT OF COPYRIGHT.
 TOUTE COMMUNICATION OU REPRODUCTION DE CE DOCUMENT, TOUTE EXPLOITATION OU COMMUNICATION DE SON CONTE-
 NUT É PROHIBÉE. IL EST INTERDIT DE COMMUNIQUER À TROISIÈMES LES DROITS DE PROPRIÉTÉ
 INDUSTRIELLE RÉSERVÉS, NOTAMMENT EN MATIÈRE DE BREVETS ET DE MODÈLES.
 WEITERGABE SOWIE VERVIELFÄLTIGUNG DIESER LITERATUR, VERSTÄNDLICH UND MITTEILUNG DES INHALTS NICHT
 ZULASSIG. ALLE RECHTE ZU DEN PATENTRECHTEN, ZU DEN RECHTEN AN MODELLRECHTEN, ZU DEN RECHTEN AN
 MISBRÄUCH DAR LAD VERPFLICHTEN ZU SCHADENSERZATZ. ALLE RECHTE FÜR DEN FALL DER PATENTIERUNG ODER
 GEBRAUCHSMUSTER-EINTRAGUNG VORBEHALTEN.



WORKING PRESSURE: GAUGE PRESSURE
 BETRIEBSDRUCK: UEBERDRUCK
 PRESSION DE SERVICE: MAX.10 bar PRESSION MANOMETRIQUE
 PRESSIONE D'ESERCIZIO: PRESSIONE MANOMETRICA

MEDIUM: AIR
 MEDIUM: LUFT
 FLUIDE: AIR
 FLUIDO: ARIA

THERMAL RANGE OF APPLICATION:
 THERMISCHER ANWENDUNGSBEREICH: -40° ... +80° C
 GAMME D'APPLICATION THERMIQUE:
 CAMPO DI APPLICAZIONE TERMICA:

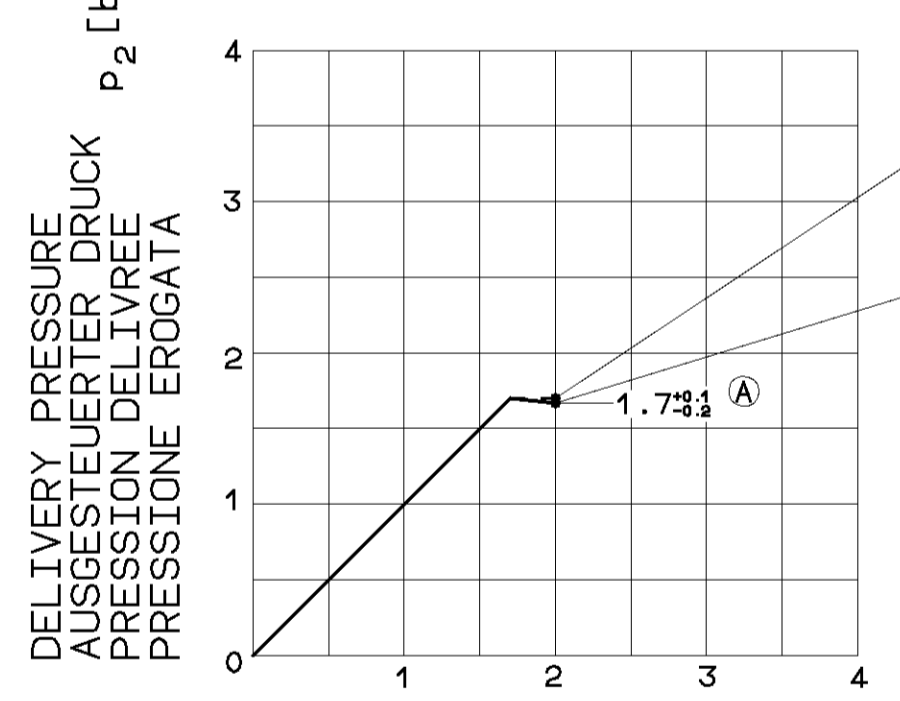
NOMINAL DIAMETER: SUPPLY: EXHAUST:
 NENNWEITE: BELUEFTUNG: ENTLUEFTUNG:
 DIAMETRE NOMINAL: ALIMENTATION: ECHAPPEMENT: Ø2.2
 DIAMETRO NOMINALE: ALIMENTAZIONE: SCARICO:

INSTALLATION POSITION AS DRAWN
 EINBAULAGE WIE GEZEICHNET
 POSITION D'INSTALLATION SUIVANT DESSIN
 POSIZIONE DI MONTAGGIO COME DISEGNATO

INSTALLATION POSITION AS DRAWN ±45° PROTECTED
 EINBAULAGE WIE GEZEICHNET GESCHUETZT ±90°
 POSITION D'INSTALLATION SUIVANT DESSIN PROTEGES
 POSIZIONE DI MONTAGGIO COME DISEGNATO PROTETTI

- 1 = INLET PRESSURE
EINGESTEUERTER DRUCK
PRESSION D'ALIMENTATION
PRESSIONE DI ALIMENTAZIONE
- 2 = DELIVERY PRESSURE
AUSGESTEUERTER DRUCK
PRESSION DELIVREE
PRESSIONE EROGATA

PRESSURE LIMITATION BY FIRST DELIVERY
 DRUCKBEGRENZUNG BEIM ERSTEN AUFFUELLEN
 LIMITATION PENDANT UNE PREMIERE REMPLISSAGE
 LIMITAZIONE COL PRIMO RIEMPRIMENTO



PRESSURE LIMITATION AFTER CONSUMPTION
 DRUCKBEGRENZUNG NACH VERBRAUCH
 LIMITATION APRES CONSOMMATION
 LIMITAZIONE DOPO CONSUMO

INLET PRESSURE
 EINGESTEUERTER DRUCK
 PRESSION D'ALIMENTATION
 PRESSIONE DI ALIMENTAZIONE

GENERAL SPECIFICATION: JED-334		CADAM-DRAWING COPYRIGHT		WABCO	
FURTHER TECHNICAL DATA:		DATE: _____ SIGNATURE: _____		DRAWN: 94-01-10 KRETER/LIPPLET	
DOC. CODE: _____ SHEET: _____ TO: _____		CHECKED: 94-01-12 KIEL/DEIKE		STANDARDIZATION: 94-01-13 PANTZER	
GENERAL TOLERANCES		MASS: 0.35 KG		SCALE: 1:1	
CLASS 1) RANGE OF NOMINAL DIMENSIONS (± mm)		PRODUCT IDENTIFICATION NO. 475 009 032 0		DOC. CODE: 605	
FINE: ≤50 >50 ≤180 >180 ≤400 >400		SIZE: A 2		SHEET: 1/1	
MEDIUM: 1,0 2,0 3,0 4,0		TAPPED HOLES ACC. ISO 4039 / JED-182		REPLACEMENT FOR: _____	
COARSE: 2,0 3,5 5,0 6,5		054618 1xA 94-02-08		SHAPE CODE: _____	
1) TOLERANCE CLASS APPLIED CROSSMARKED		DCN-NO. REV. DATE		EXPERT CODE: 743	

1899/012/204_93 605/603