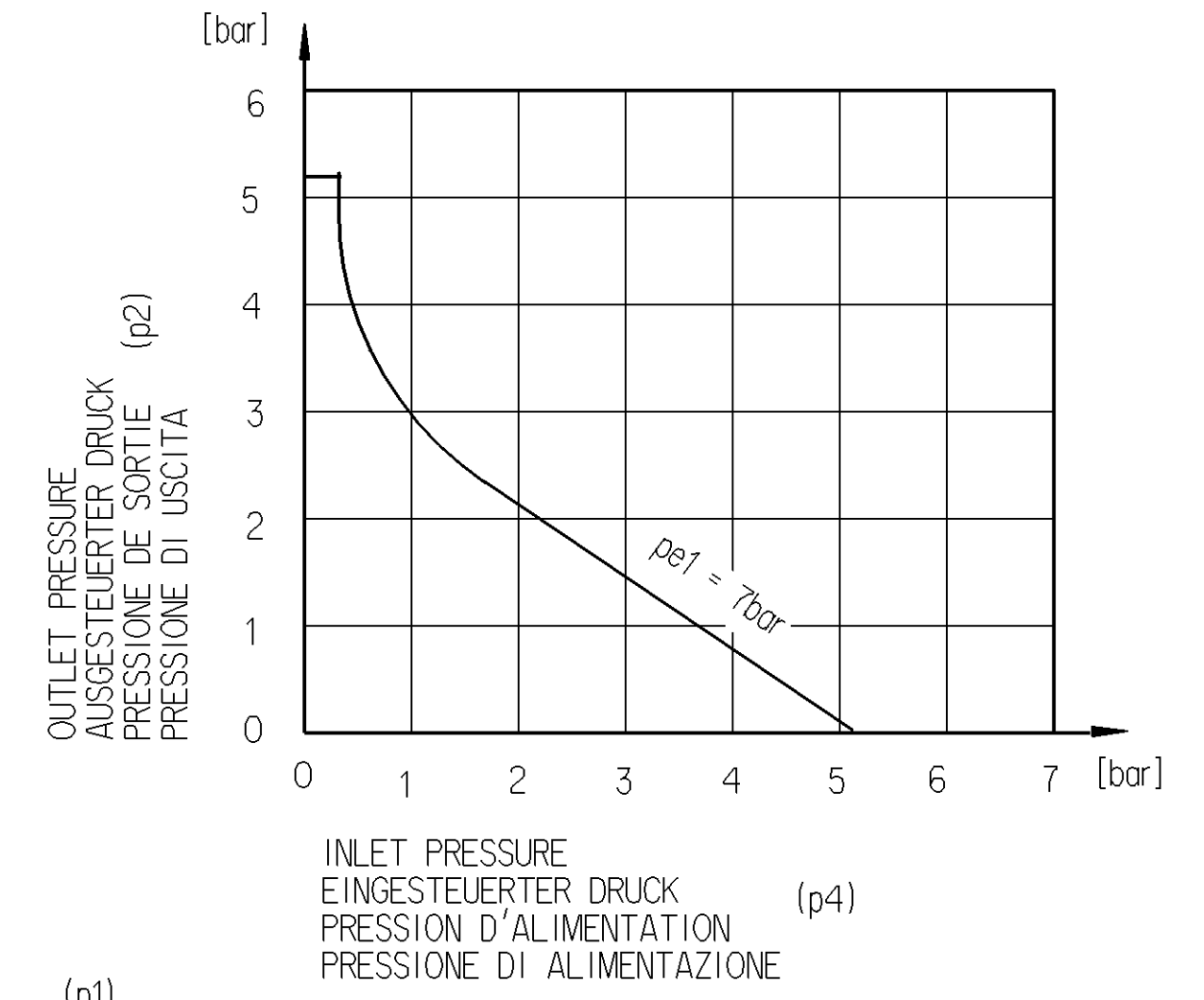
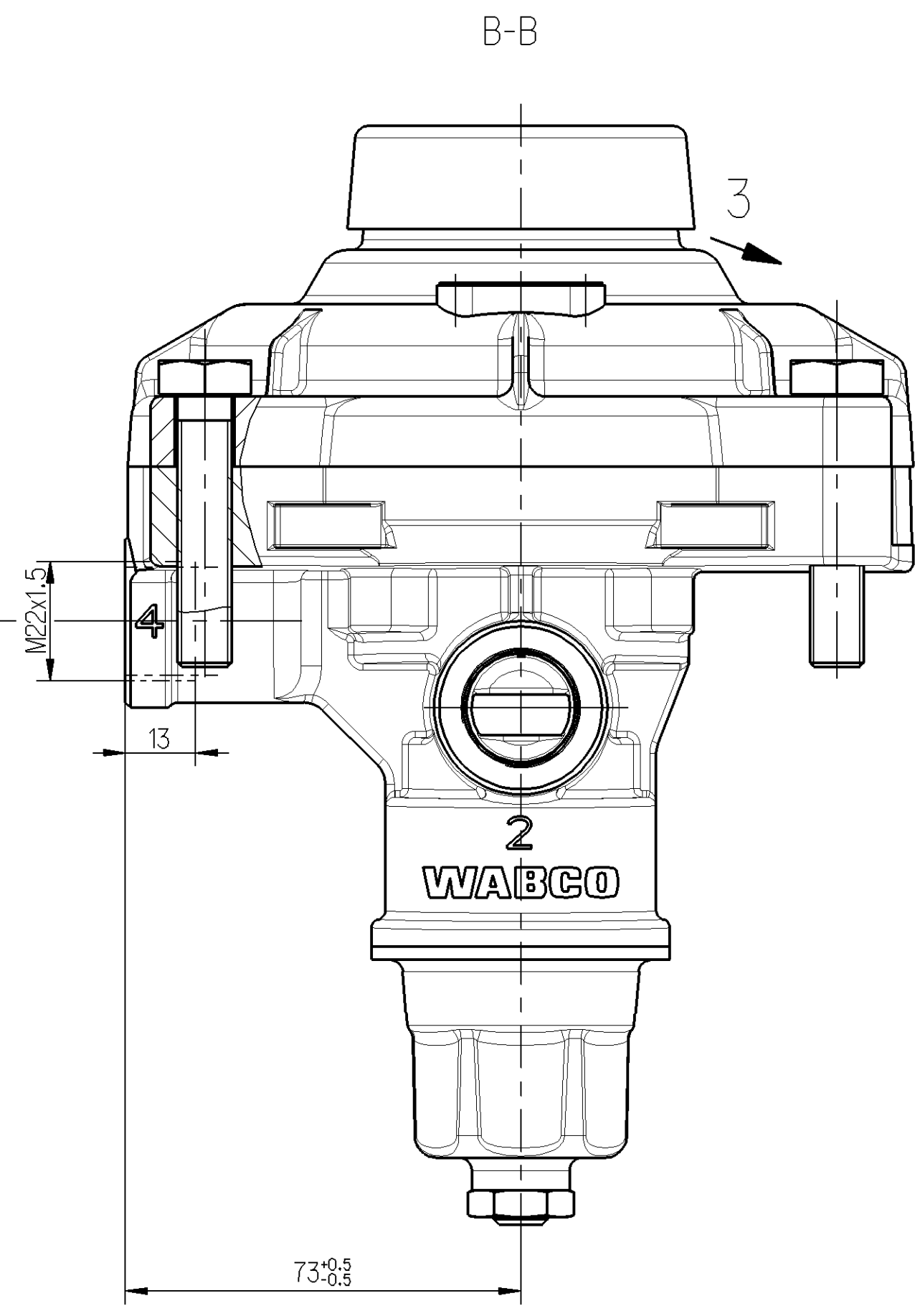
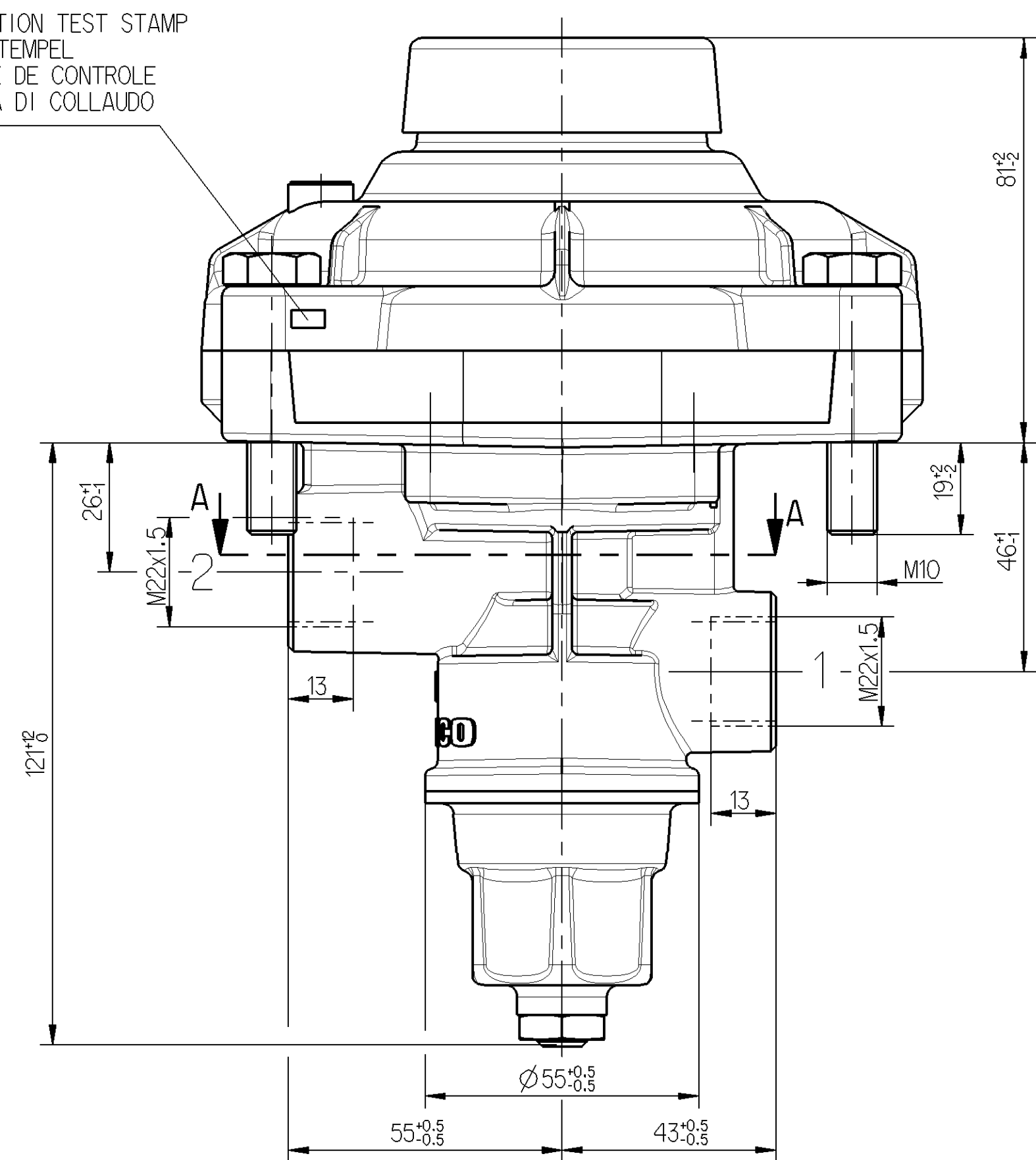


INSPECTION TEST STAMP
 PRUEFSTEMPEL
 MARQUE DE CONTROLE
 STAMPA DI COLLAUDO



- 1 SUPPLY (p1)
VORRAT
ALIMENTATION
- 2 OUTLET PRESSURE (p2)
AUSGESTEUERTER DRUCK
PRESSIONE DE SORTIE
PRESSIONE EROGATA
- 4 CONTROL PRESSURE (p4)
STEUERDRUCK
PRESSION DE COMMANDE
PRESSIONE DI COMANDO
- 3 EXHAUST
ENTLUEFTUNG
ECHAPPEMENT
SCARICO

MEDIUM: AIR
 MEDIUM: LUFT
 FLUIDE: AIR
 FLUIDO: ARIA

NOMINAL DIAMETER :
 NENNWEITE : 78.5 mm \varnothing
 DIAMETRE NOMINAL :
 DIAMETRO NOMINALE :

WORKING PRESSURE:
 BETRIEBSDRUCK: MAX. 8bar
 PRESSIONE DI SERVIZIO:
 PRESSIONE DI SERVIZIO:

THERMAL RANGE OF APPLICATION:
 THERMISCHER ANWENDUNGSBEREICH: -40 °C...+80 °C
 APPLICATION THERMIQUE:
 CAMPO DI APPLICAZIONE TERMICA:

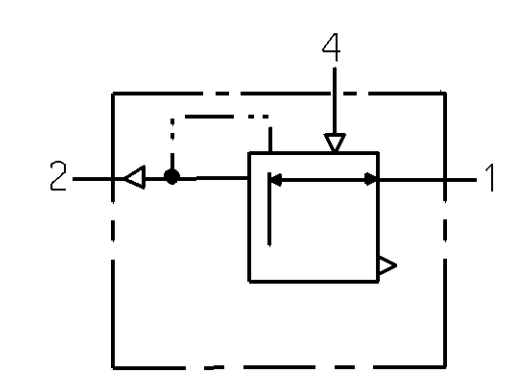
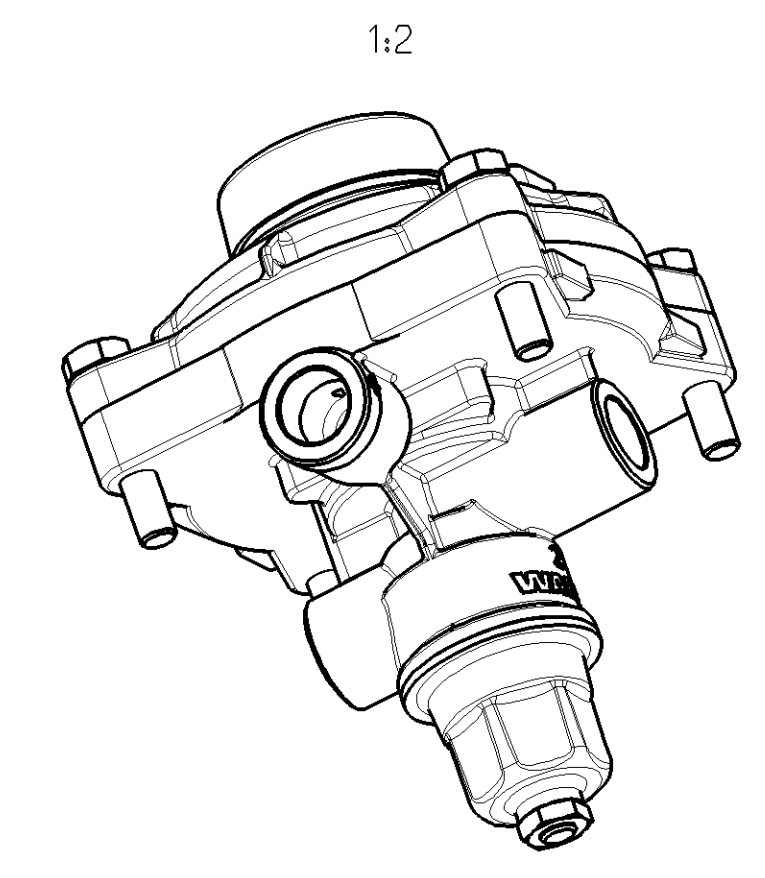
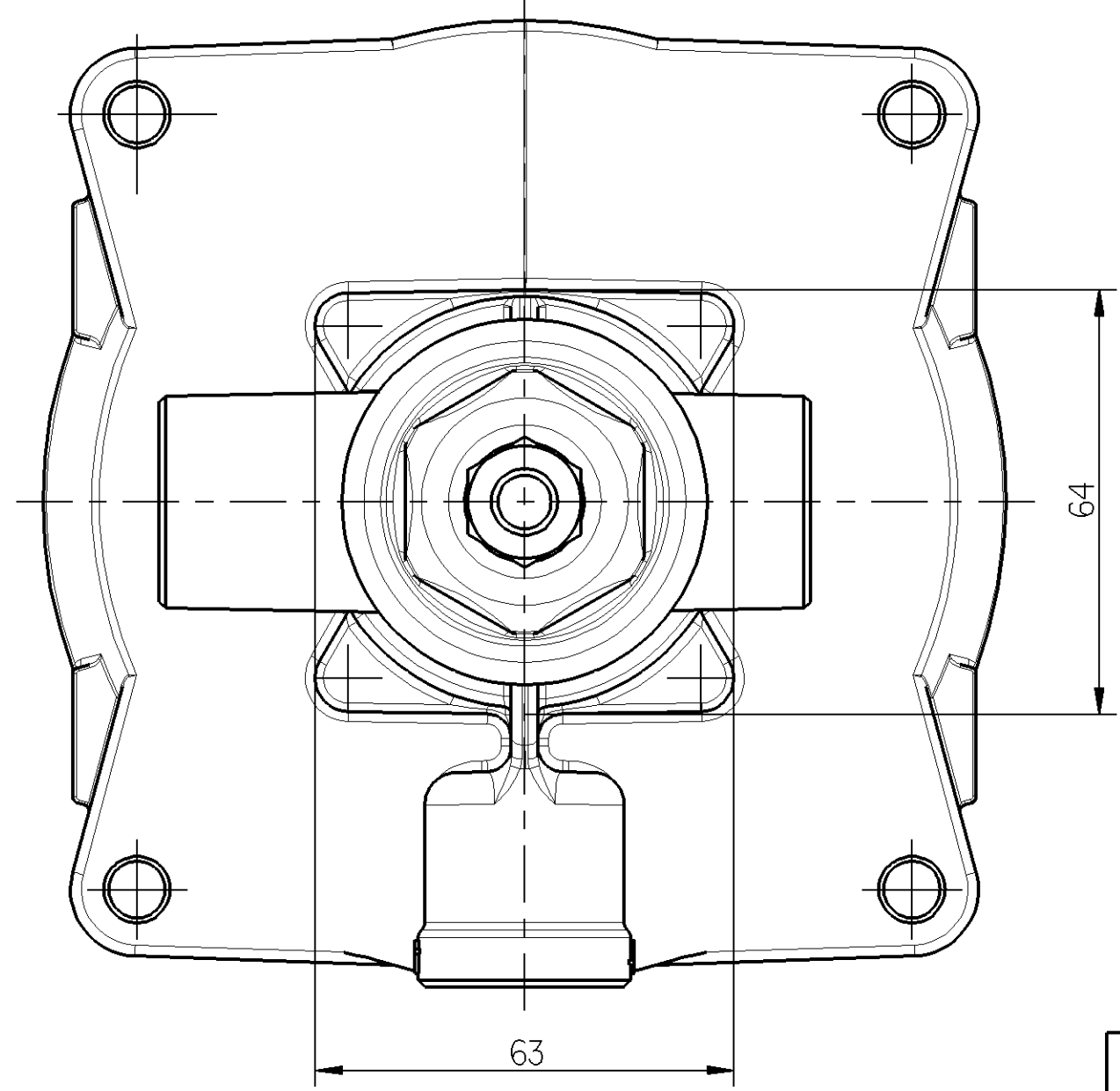
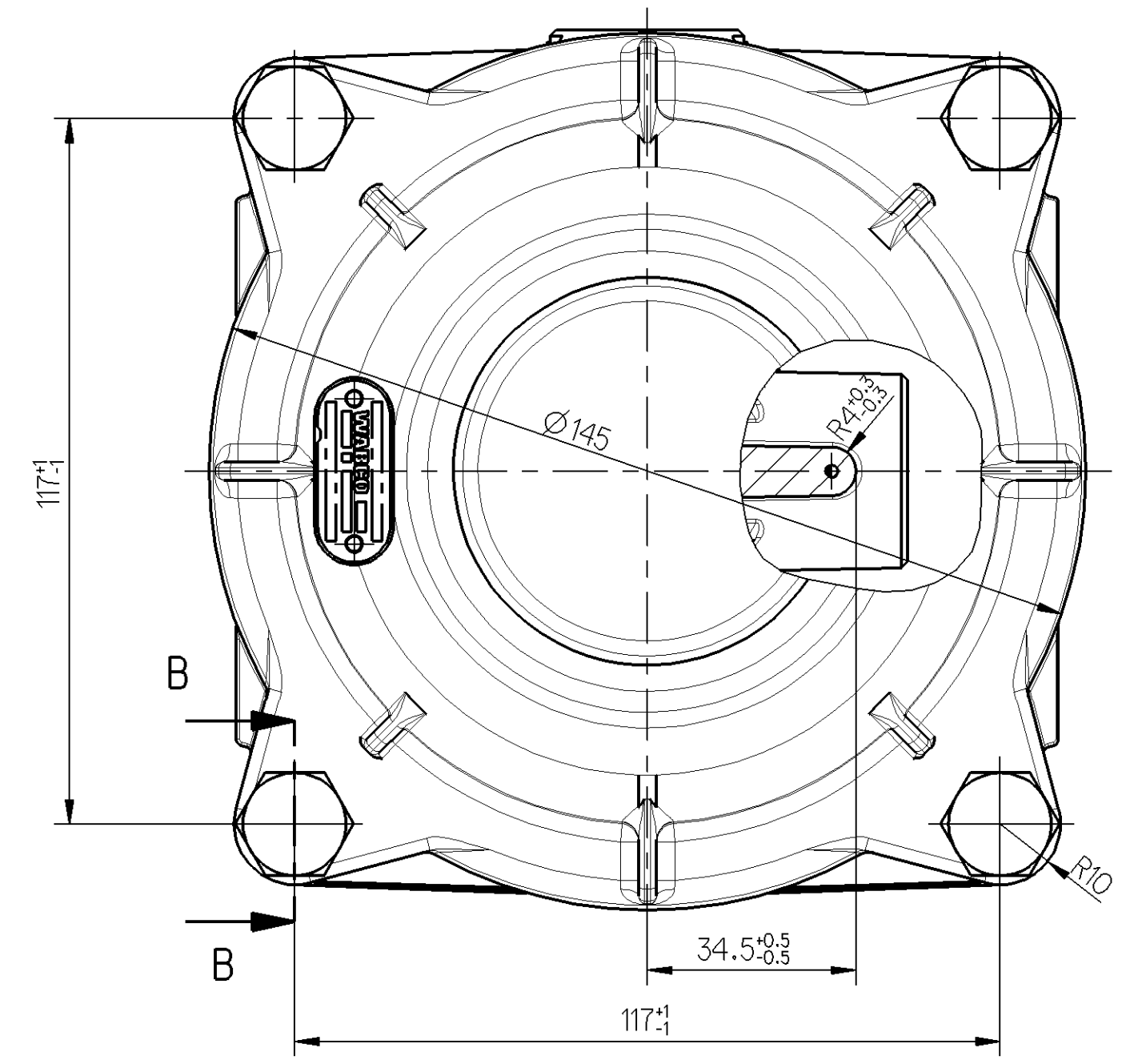
INSTALLATION POSITION:
 EINBAULAGE:
 POSITION D'INSTALLATION:
 POSIZIONE DI MONTAGGIO:

AXIS CENTRE OF THE DEVICE
 DEVIATIONS MAX 90° FROM VERTICAL
 MITTELACHSE DES GERÄTES
 MAX 90° VON DER SENKRECHTEN ABWEICHEND
 ECART DE L'AXE MEDIAN DE
 L'APPAREIL PAR RAPPORT A LA VERTICALE: 90° MAX.
 DEVIAZIONE ASSE APPARECCHIO
 RISPETTO ALLA VERTICALE: MAX.90°

U ↑

A-A

U



General Specification: JED-334-0		Copyright WABCO®	
Further Technical Data:		Date	Signature
Doc. Code:	Sheet: To	2007-02-22	MEINKING
General Tolerances: JED-261		Checked	2007-03-02 Fabian
Range of Nominal Dimensions (± mm)		Expert FABIAN	
Class 1)	≤ 50	> 50 < 180	> 180 < 400
Fine	± 0.5	± 1.0	± 2.0
Medium	± 1.0	± 2.0	± 3.0
Coarse	± 2.0	± 3.5	± 5.0
Tapped Holes acc. JED-152		1) Tolerance Class Applied Crossmarked	
1:25/26	1x1	07-02-22	
DCN-No.	Rev.	Date	State of Revision
Material No. 471 200 110 0		WABCO Is. No. 472001000	
TRAILER CONTROL VALVE		Doc.Code Language Sheet	
ANHAENGER-STEUERVENTIL		605 en/99 1/1	
VALVOLA DI COMANDO FR. R1:		471 200 110 0 OF	
VALVE DE COMMANDE DE REM.		78-12-06	
Mass	Scale	Material No.	
2.3	1:1	471 200 110 0	
1:2	1:2	605 en/99 1/1	
Size	TR	Function Code CAD System Prod. Type	
A 1	530	Pro/E 0 0 X	
100mm			

Toute communication de reproduction de ce document, toute exploitation ou communication de son contenu sans autorisation, sauf autorisation écrite préalable de WABCO, est formellement interdite. Toute utilisation non autorisée de ce document est formellement interdite. This document is a technical drawing and is not to be used for manufacturing purposes without the written consent of WABCO. This document is a technical drawing and is not to be used for manufacturing purposes without the written consent of WABCO.