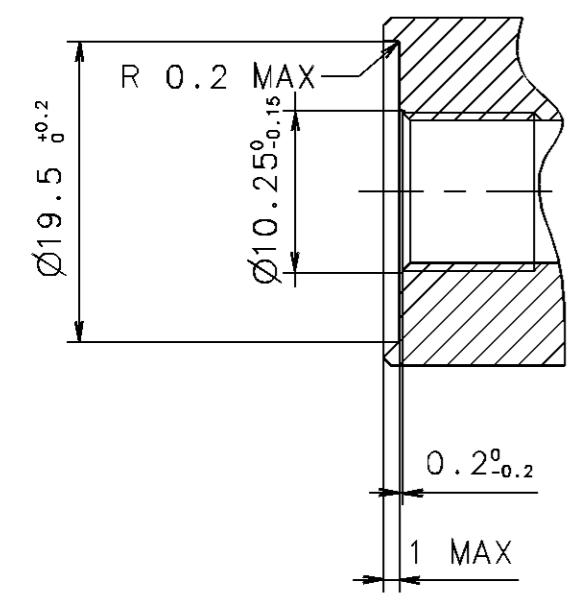
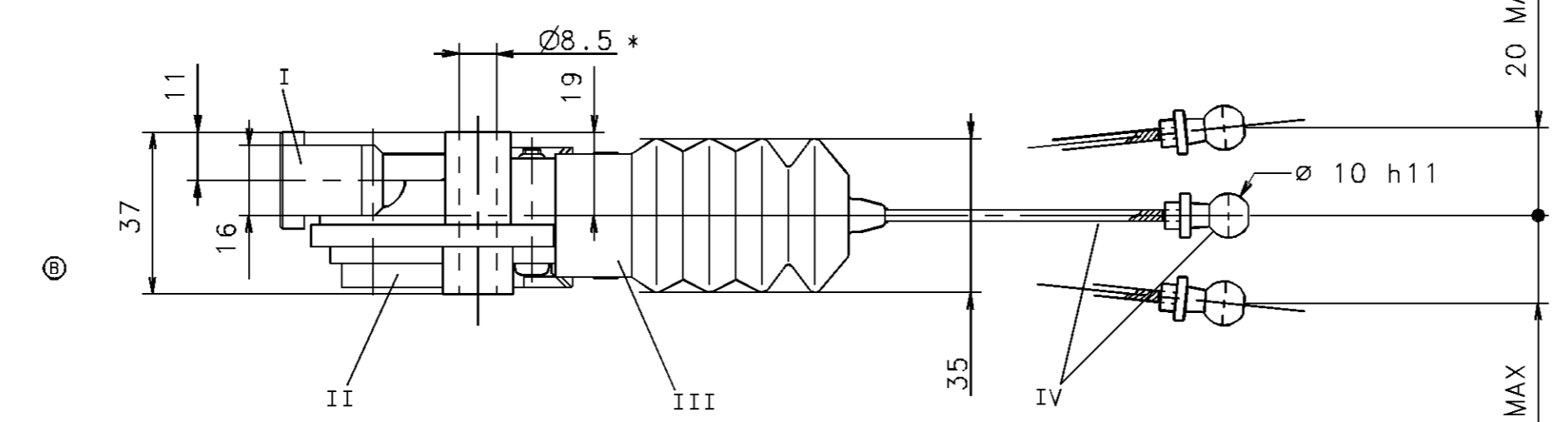
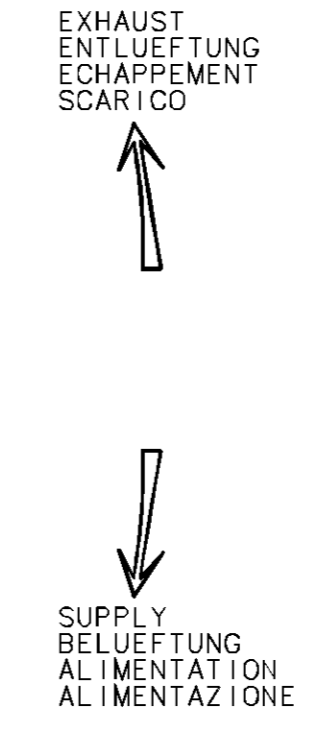
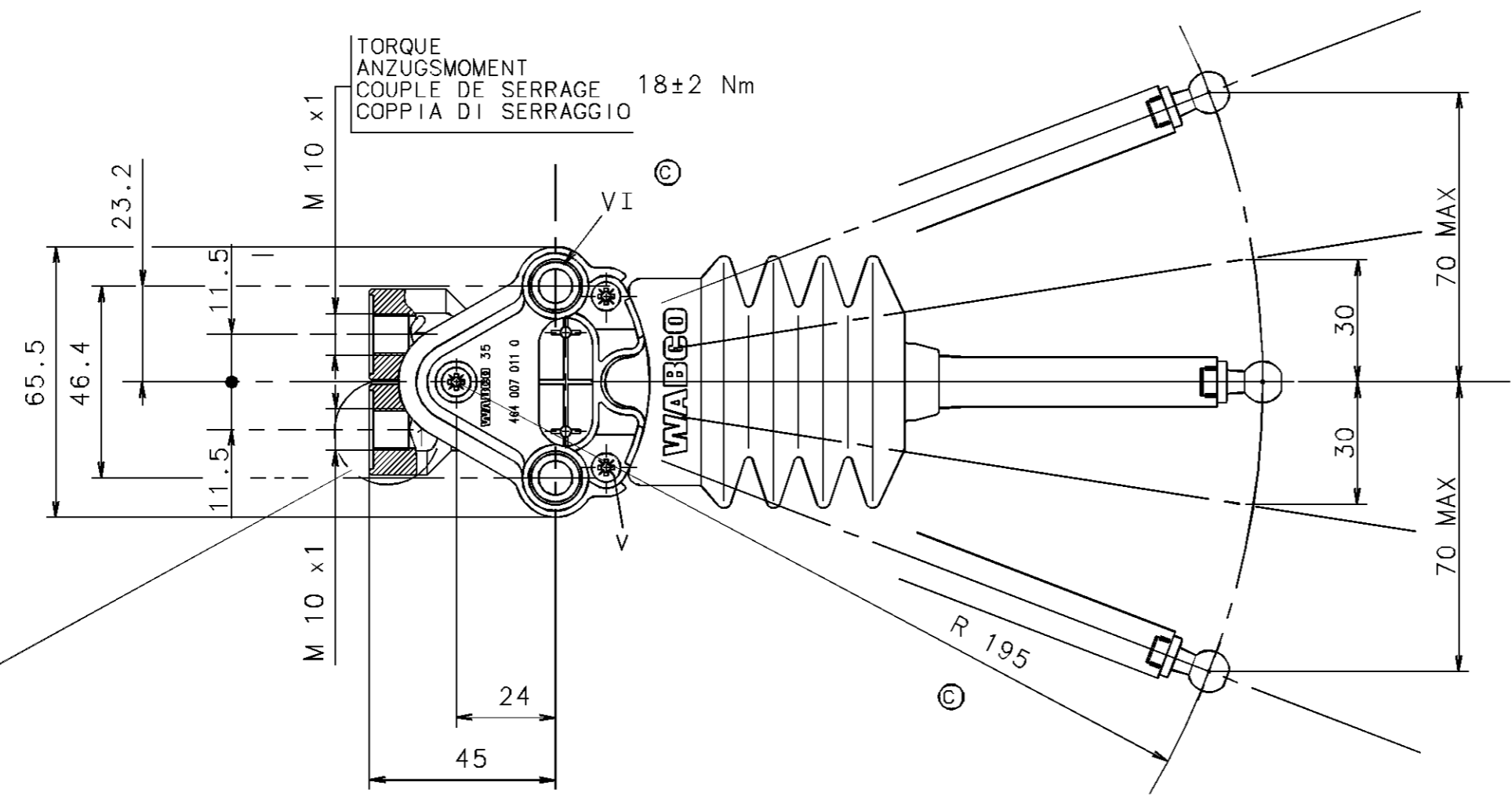


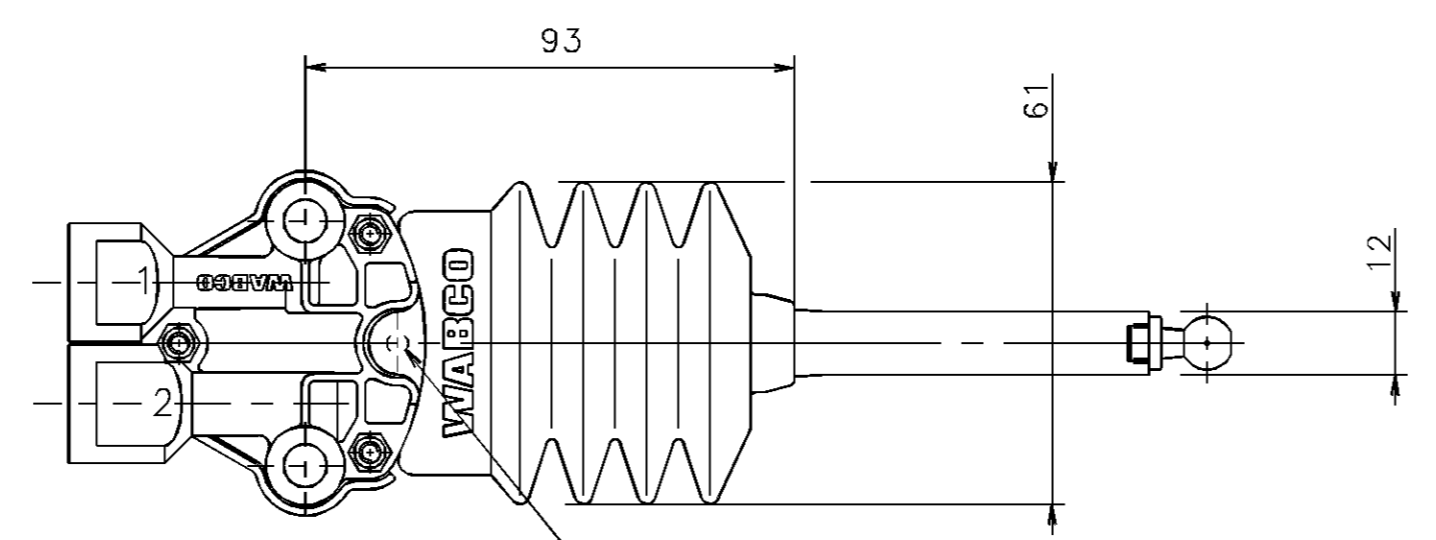
MATERIAL SURFACE PROTECTION	
I	JED 260
II	DELIN 500
III	JED 045M1
IV	JED 256
V	JED 256
VI	JED 256 GREEN ©



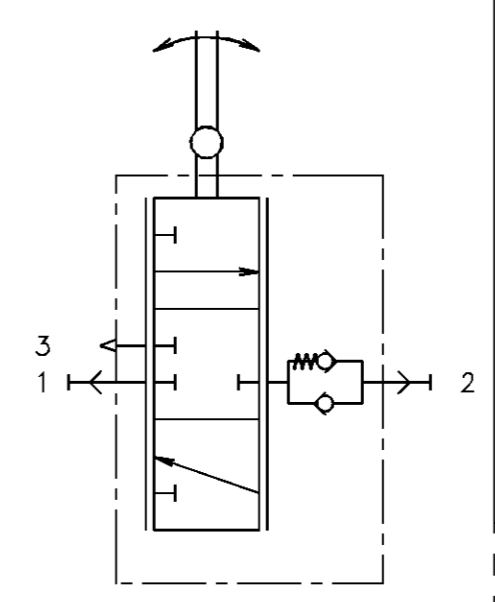
SCALE  
MASSTAB  
EHELLE  
SCALA  
3/1



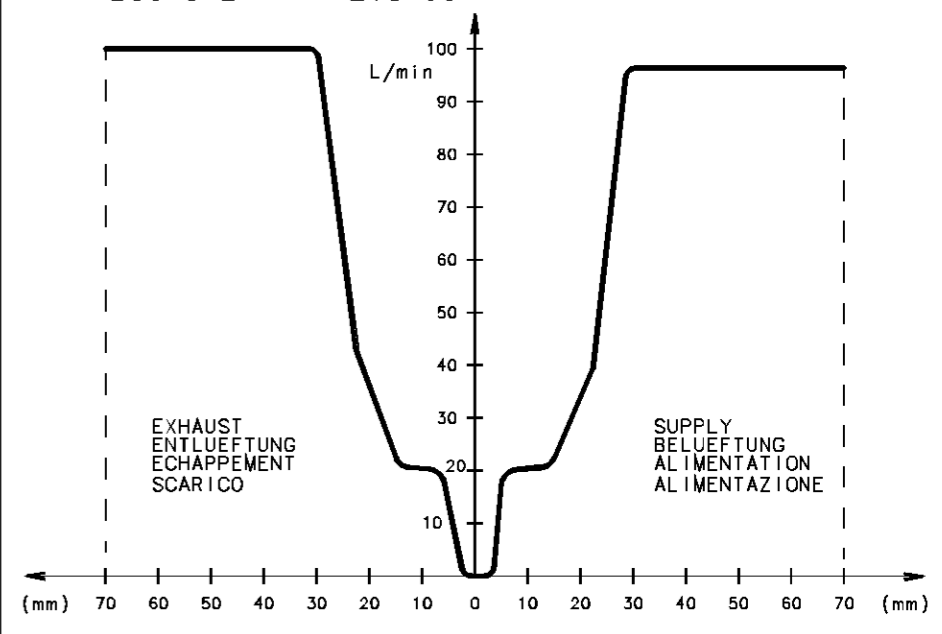
TESTING SHEME  
SYMBOL  
SCHEMA DE PRINCIPE  
SCHEMA DI PRINCIPIO



HOLE Ø 4 (0.157) TO INDEX IN NEUTRAL POSITION  
 LOCH Ø 4 ZUM BLOCKIEREN IN NEUTRALSTELLUNG  
 TROU Ø 4 POUR INDEXER EN POSITION NEUTRE  
 FORO Ø 4 PER BLOCCAGGIO IN POSIZIONE NEUTRA



FLOW RATE FOR P1=12.5 bar  
 DURCHFLOSS BEI P1=12.5 bar  
 CARACTERISTIQUES DE DEBIT POUR UNE  
 PRESSION P1=12.5 bar  
 CARATTERISTICHE DI PORTATA PER UNA  
 PRESSIONE P1=12.5 bar



OVERTRAVEL  
UEBERHUB  
SURCOURSE  
SOVRACCORSA  
 STROKE  
HUB  
COURSE  
CORSA  
 STROKE  
HUB  
COURSE  
CORSA  
 OVERTRAVEL  
UEBERHUB  
SURCOURSE  
SOVRACCORSA

STROKE OF LEVER  
HEBELWEG  
COURSE DU LEVIER  
CORSO DELLA LEVA

- \* FIXING OF THE VALVE BY SCREW M8, TORQUE :
- \* BEFESTIGUNG DES GERÄTES MIT SCHRAUBE M8, ANZUGSMOMENT :
- \* FIXATION DE L'APPAREIL PAR VIS M8, COUPLE DE SERRAGE : 24 Nm MAX
- \* FISSAGIO DELL'APPARECCHIO PER VITE M8 COPPIA DI SERRAGGIO :

INSTALLATION POSITION  
EINBAULAGE  
POSITION DE MONTAGE  
POSIZIONE DI MONTAGGIO  
 : OPTIONAL  
: BELIEBIG  
: INDIFFERENTE  
: A SCELTA

FURTHER TECHNICAL DATA SEE		L		K		COPYRIGHT	
IDENTIFICATION NO.:						DATE	SIGNATURE
CODE FOR DOCUMENT: 605	SHEET: TO					DRAWN	
GENERAL TOLERANCES				H			
RANGE OF NOMINAL DIMENSIONS ( ± mm )				G			
CLASS	1)	<50	>50 <180	>180 <400	>400	CHECKED	
I		0.5	1.0	1.5	2.0	12-06-95	
II		1.0	2.0	3.0	4.0	12-06-95	
III		2.0	3.5	5.0	6.5	12-06-95	
TAPPED HOLES ACC. ISO 4039 / JED-152				95282 3x 04-12-95			
1) TOLERANCE CLASS APPLIED CROSS-MARKED				95186 2x 08-08-95			
				95176 1x A 19-07-95			
				DCN-NO. REV. DATE			
				A 1 210			
				kg 1:1			
				SIZE T.R.I.			
				A 1 210			
				CODE F. PROD.-GROUP CODE FOR SHAPE			
				CODE FOR DOCUMENT SHEET			
				605 1/1			
				REPLACEMENT FOR			