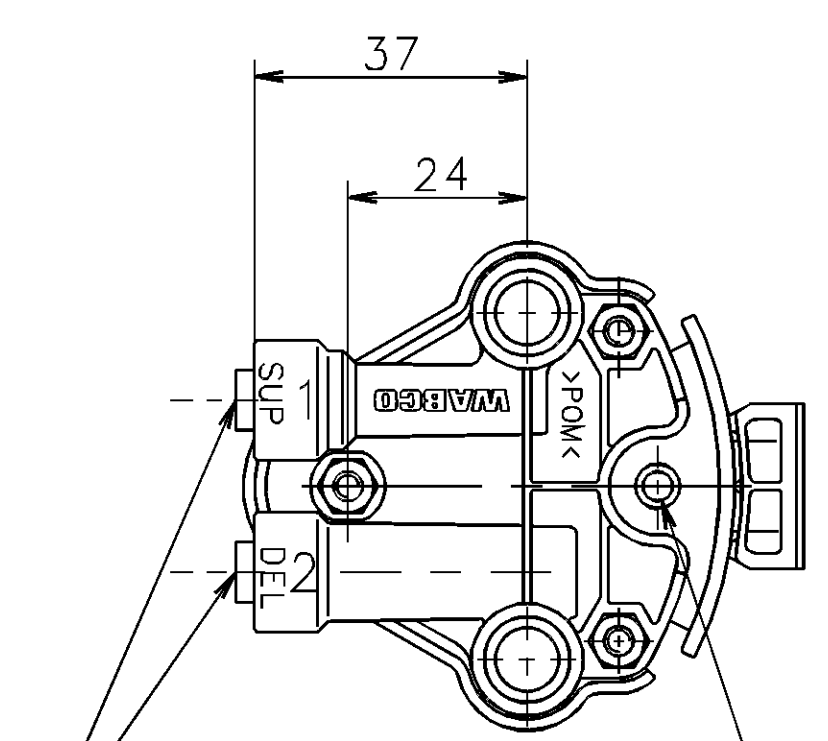
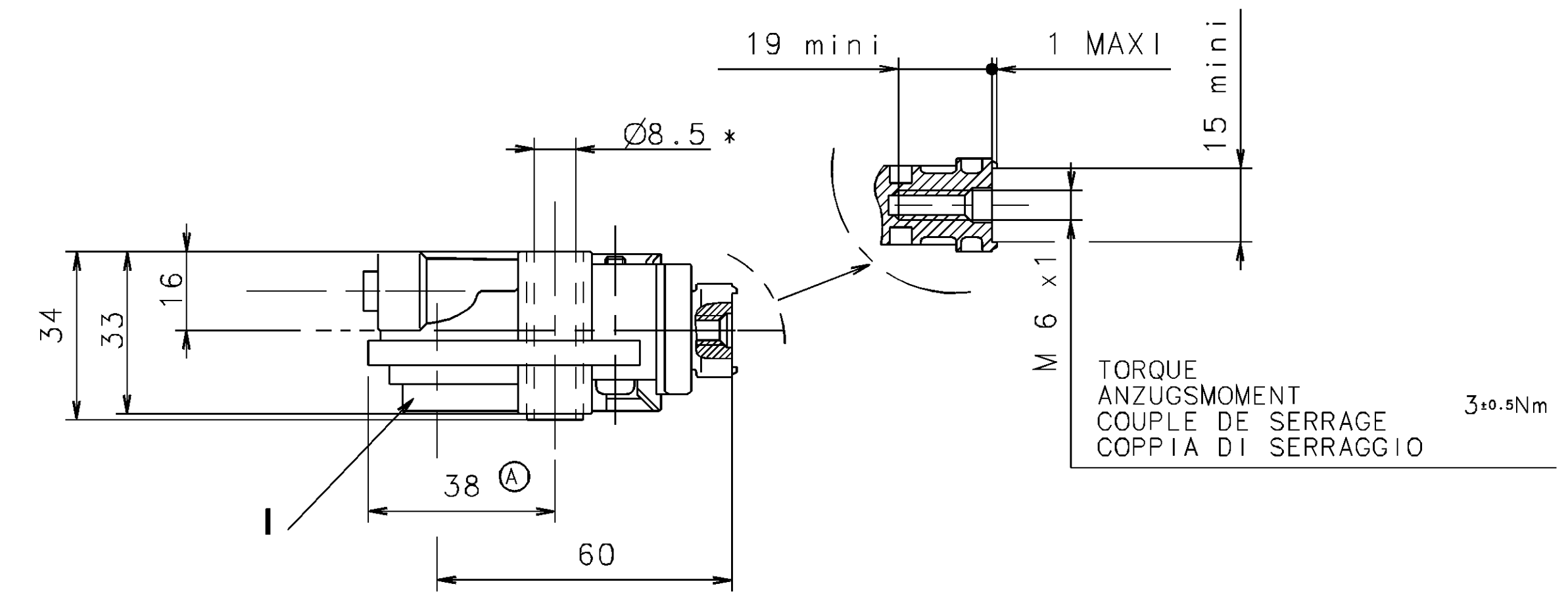
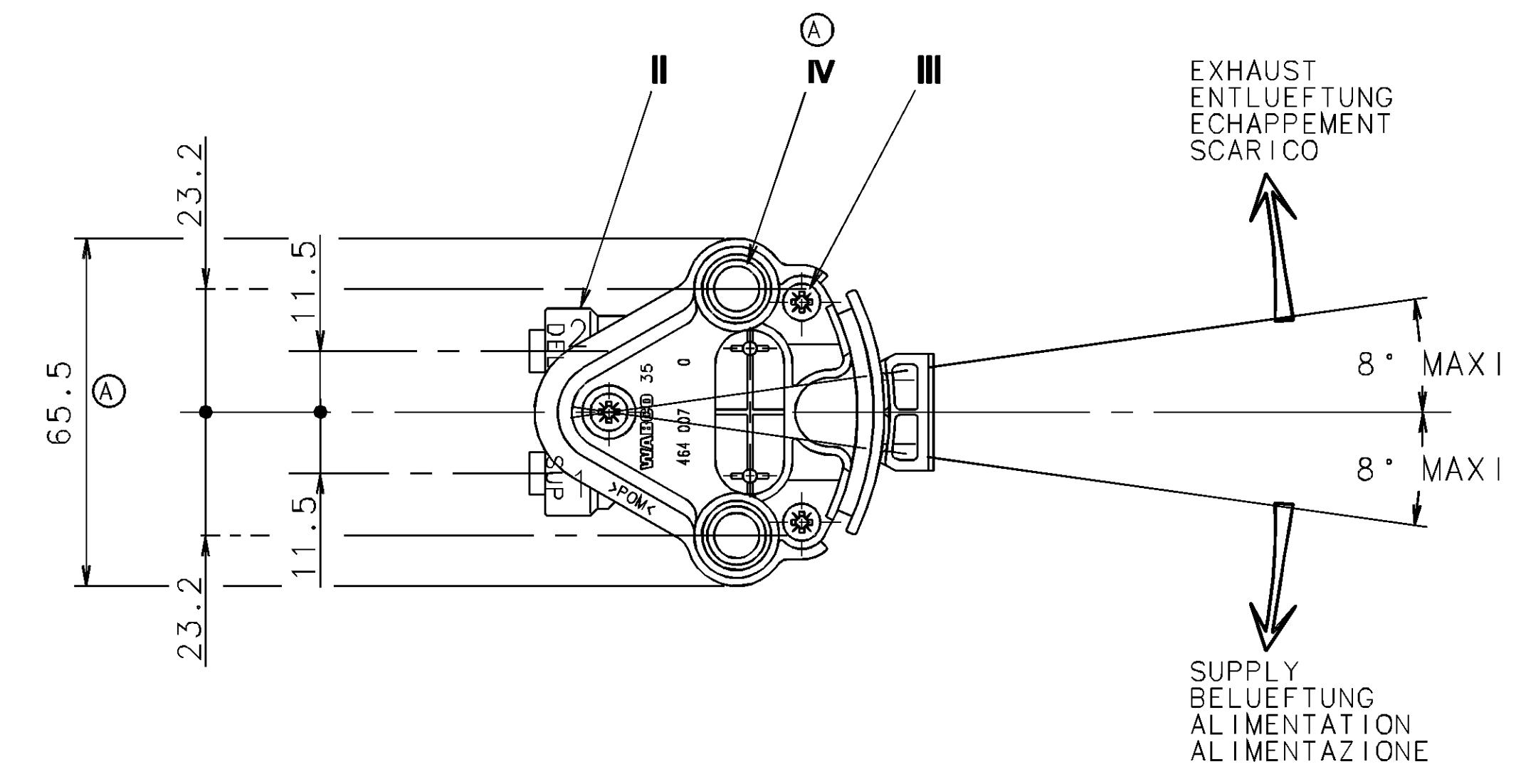


IV	STEEL/ACIER	JED 256
III	STEEL/ACIER	JED 256
II	JED 005MO BLACK	
I	JED 005MO BLACK	
	- MATERIAL	SURFACE PROTECTION
	- MATIERE	PROTECTION DE SURFACE

(A)



HOLE Ø 4 (0.157) TO INDEX IN NEUTRAL POSITION  
 LOCH Ø 4 ZUM BLOCKIEREN IN NEUTRALSTELLUNG  
 TROU Ø 4 POUR INDEXER EN POSITION NEUTRE  
 FORO Ø 4 PER BLOCCAGGIO IN POSIZIONE NEUTRA

QUICK CONNECTION TYPE "LEGRIS" FOR PLASTIC TUBE (POLYAMIDE 11) EXTERNAL DIAMETER 6±0.1  
 STECKVERBINDUNG TYP "LEGRIS" FUER PLASTIKROHR (POLYAMIDE 11) AUSSENDURCHMESSER 6±0.1  
 CONNEXION RAPIDE TYPE "LEGRIS" POUR TUBE (POLYAMIDE 11) Ø EXT. 6±0.1  
 COLLEGAMENTO RAPIDO TIPO "LEGRIS" PER TUBO (POLIAMMIDE 11) Ø ESTERNO 6±0.1

- \* FIXING OF THE VALVE BY SCREW M8, TORQUE ≤ 24 Nm
- \* BEFESTIGUNG DES GERÄTES MIT SCHRAUBE M8, ANZUGSMOMENT: ≤ 24 Nm
- \* FIXATION DE L'APPAREIL PAR VIS M8, COUPLE DE SERRAGE ≤ 24 Nm
- \* FISSAGIO DELL'APPARECCHIO PER VITE M8 COPPIA DI SERRAGGIO ≤ 24 Nm

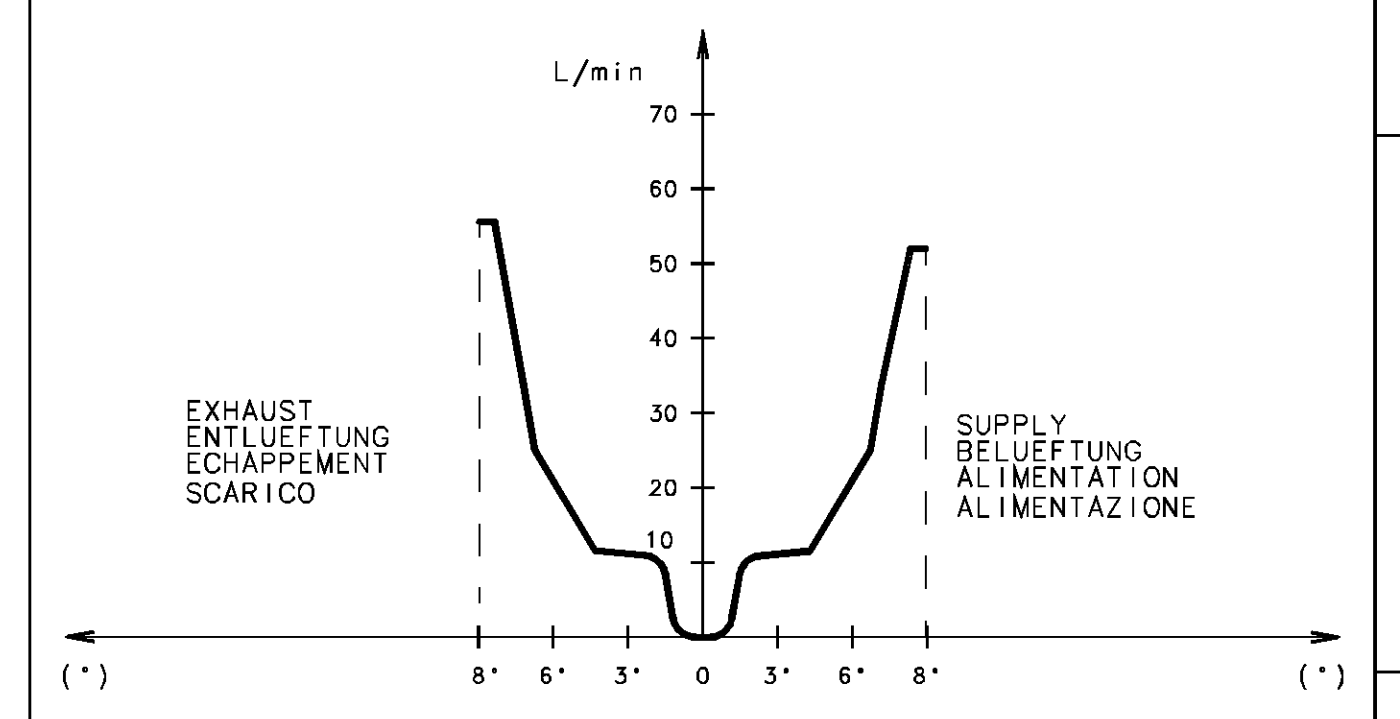
1 SUPPLY  
ENERGIEZUFLOSS  
ALIMENTATION  
ALIMENTAZIONE

2 DELIVERY  
ENERGIEABFLUSS  
UTILISATION  
UTILIZZAZIONE

THERMAL RANGE  
THERMISCHER ANWENDUNGSBEREICH  
TEMPERATURE D'UTILISATION -30°C...+80°C  
TEMPERATURA DI UTILIZZAZIONE

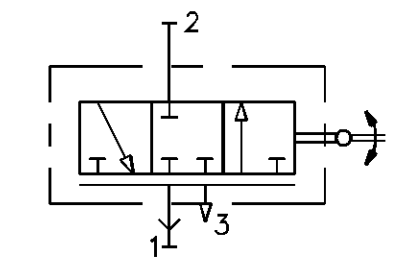
INLET PRESSURE  
EINGESTEUERTER DRUCK  
PRESSION D'ALIMENTATION P1=10 bar MAX  
PRESSIONE DI ALIMENTAZIONE

FLOW RATE FOR P1= 8 bar  
DURCHFLUSS BEI P1= 8 bar  
CARACTERISTIQUES DE DEBIT POUR UNE PRESSION P1= 8 bar  
CARATTERISTICHE DI PORTATA PER UNA PRESSIONE P1= 8 bar



STROKE OF LEVER  
HEBELWEG  
COURSE DU LEVIER  
CORSA DELLA LEVA

SYMBOL  
SYMBOLE  
SIMBOLO (A)



FURTHER TECHNICAL DATA SEE		L	
IDENTIFICATION NO.:		K	
CODE FOR DOCUMENT: 605 SHEET: TO		J	
GENERAL TOLERANCES		H	
RANGE OF NOMINAL DIMENSIONS (± mm)		G	
CLASS		F	
I	≤50	E	
II	50-180	D	
III	180-400	C	
IV	>400	B	
TAPPED HOLES ACC. ISO 4039 / JED-152		95282	5x A 30-11-95
1) TOLERANCE CLASS APPLIED CROSSMARKED		DCN-NO.	REV. DATE
		A 1	210

COPYRIGHT		WABCO	
DATE	SIGNATURE		
11-10-94	ROLAND	LEVELLING VALVE	
DRAWN		LUFTFEDERVENTIL	
CHECKED		VALVE DE NIVELLEMENT	
12-10-94		VALVOLA LIVELLATRICE	
STANDARDIZATION			
12-10-94			
MASS SCALE	PRODUCT IDENTIFICATION NO.		
kg	464 007 009 0		
1:1			
SIZE	T.R.I.		
A 1	210		
CODE F.PROD.-GROUP		564	
CODE FOR SHAPE			
REPLACEMENT FOR			
		605 1/1	