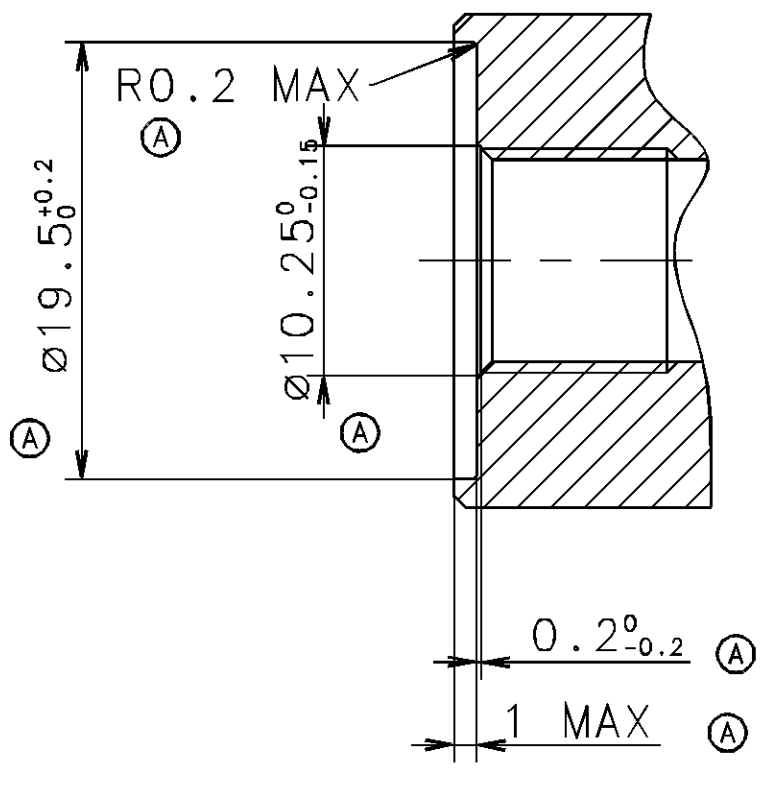
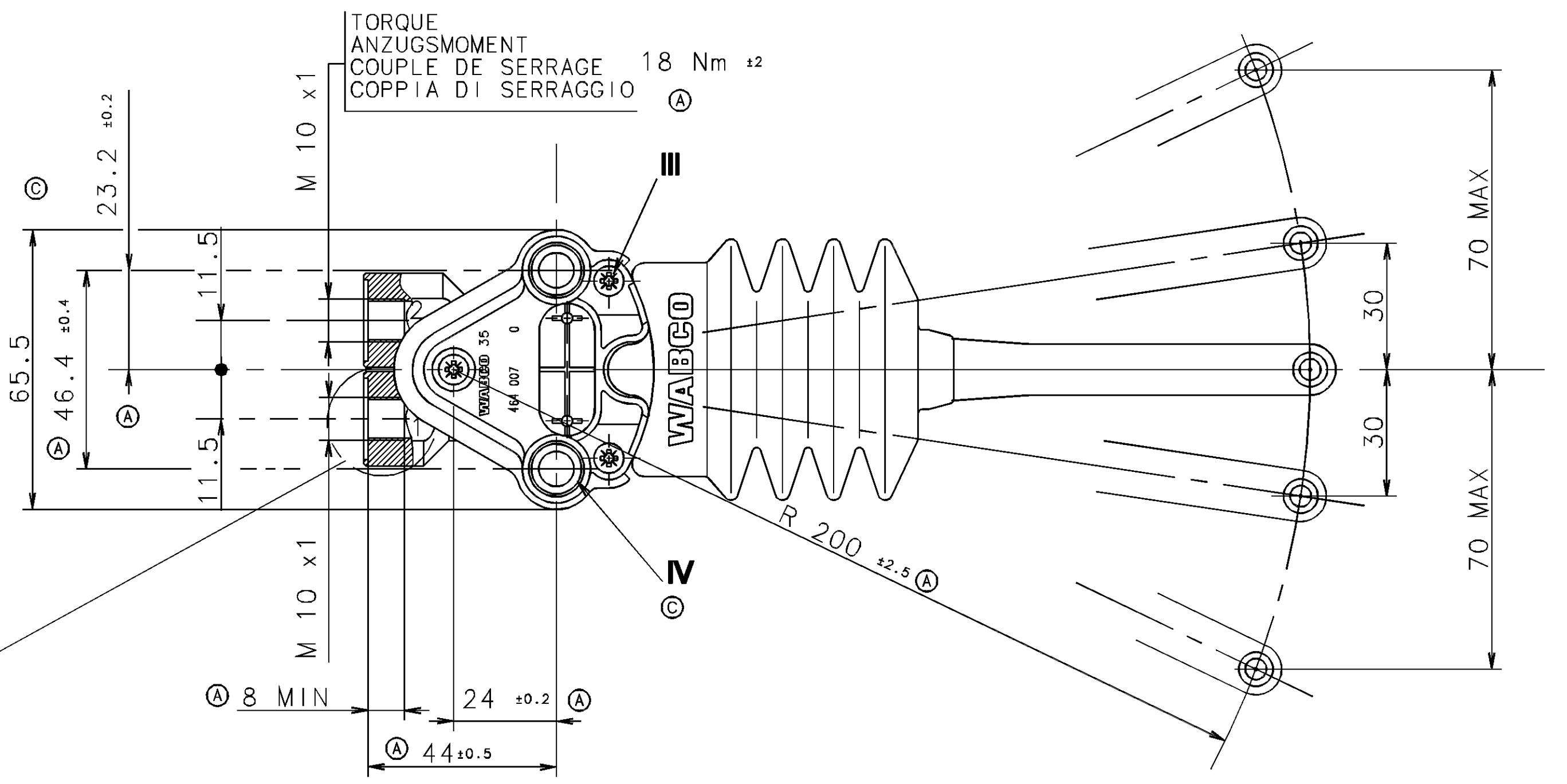
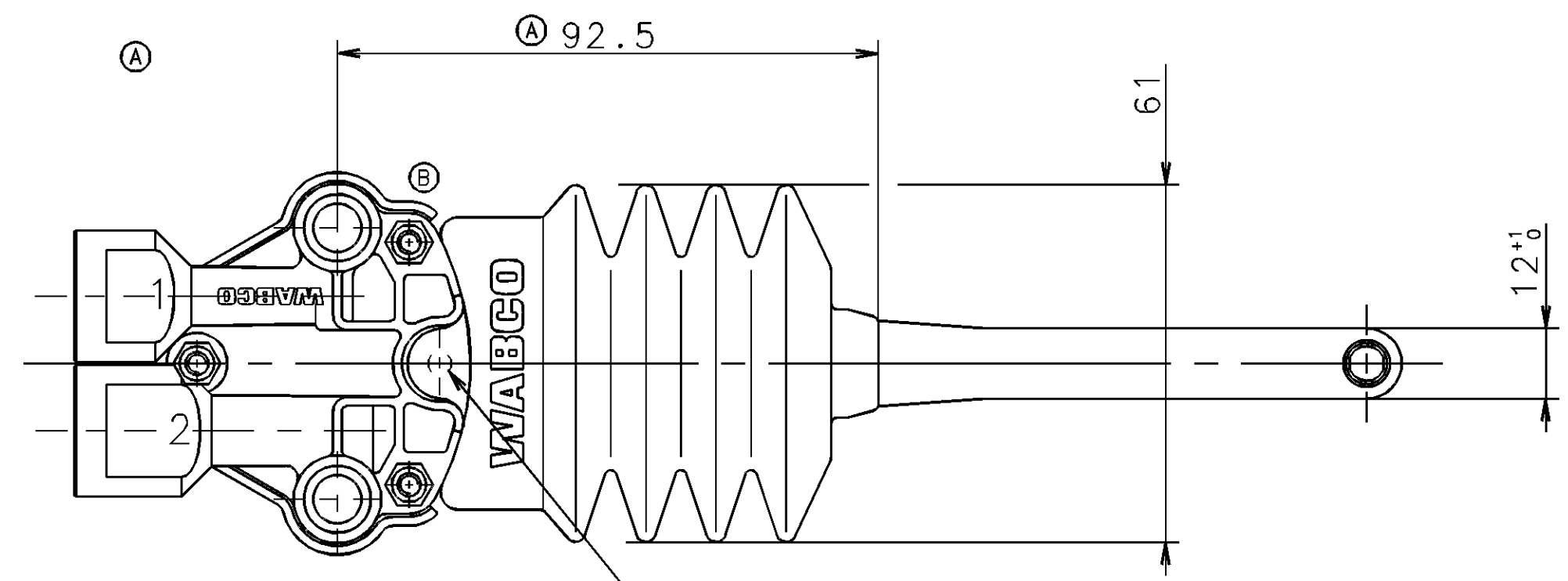
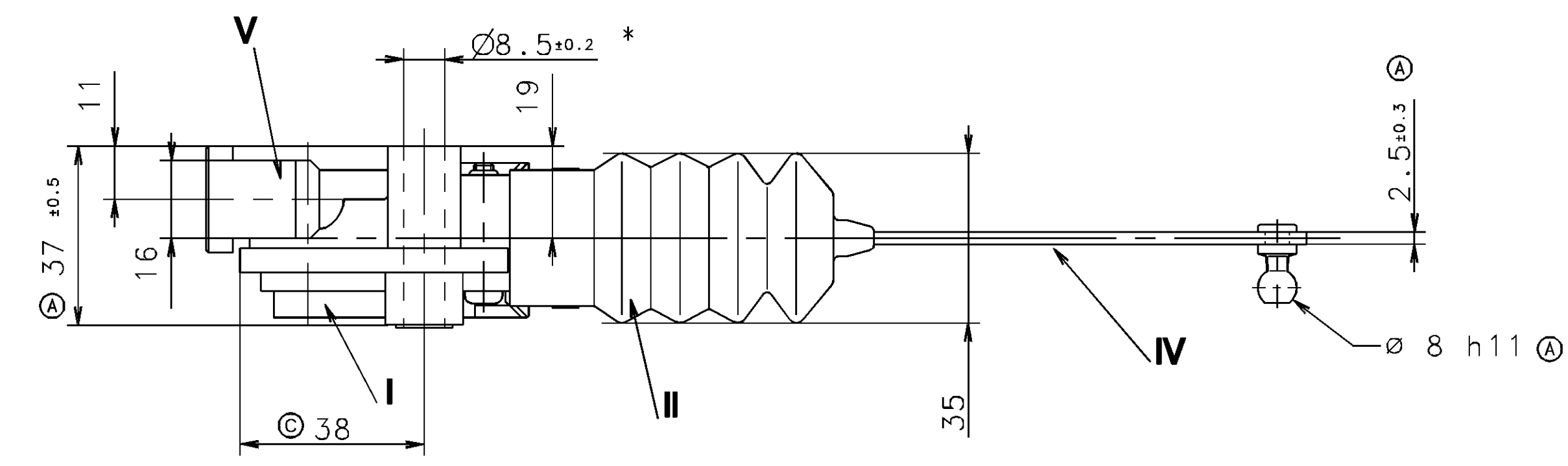


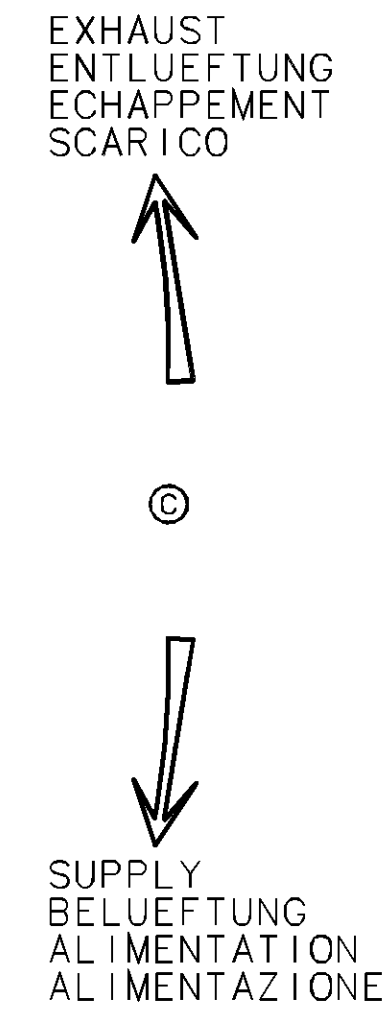
V	JED 004 M	JED 260
IV	STEEL/ACIER	JED 256 GREEN
III	STEEL/ACIER	JED 256
II	EPDM	
I	JED 005 WD BLACK	
Ⓢ	MATERIAL	SURFACE PROTECTION
Ⓢ	MATIERE	PROTECTION DE SURFACE



SCALE
MASSTAB 3/1
ECHELLE
SCALA



HOLE Ø 4 (0.157) TO INDEX IN NEUTRAL POSITION
LOCH Ø 4 ZUM BLOCKIEREN IN NEUTRALSTELLUNG
TROU Ø 4 POUR INDEXER EN POSITION NEUTRE
FORO Ø 4 PER BLOCCAGGIO IN POSIZIONE NEUTRA



1 SUPPLY
ENERGIEZUFLOSS
ALIMENTATION
ALIMENTAZIONE

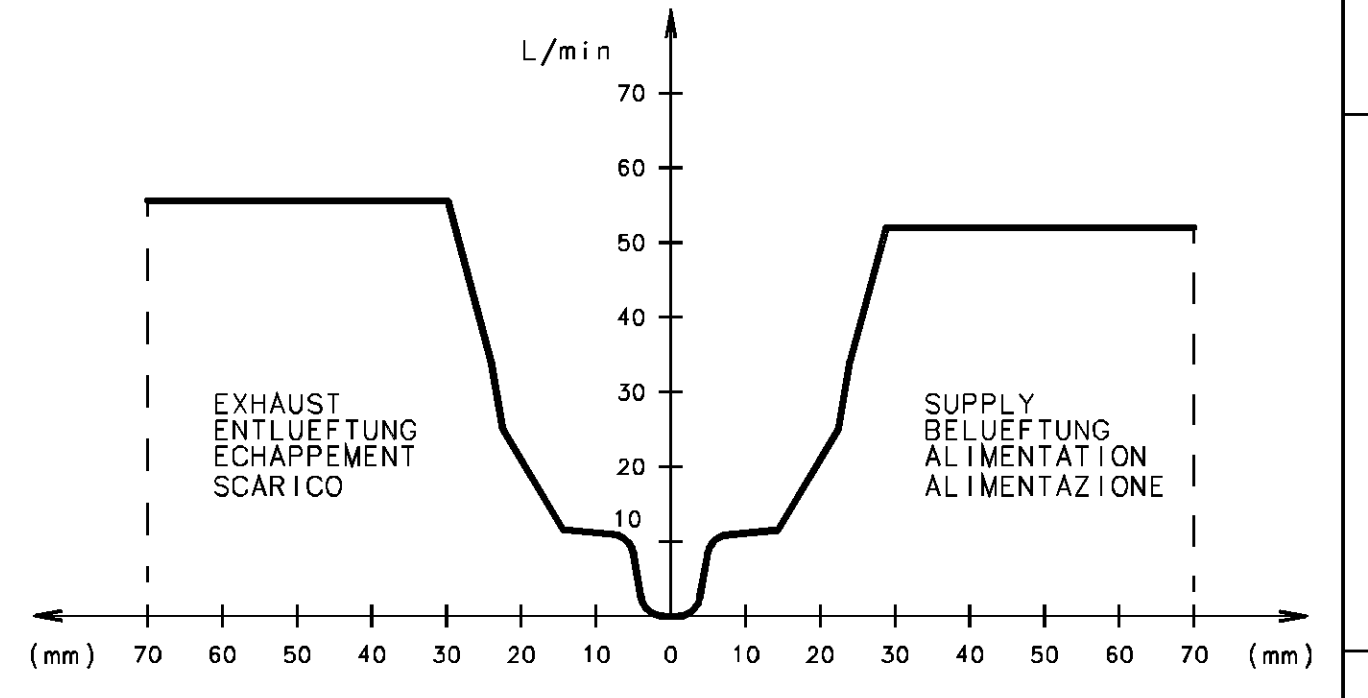
2 DELIVERY
ENERGIEABFLUSS
UTILISATION
UTILIZZAZIONE

THERMAL RANGE
THERMISCHER ANWENDBEREICH
TEMPERATURE D'UTILISATION -45°C..+80°C
TEMPERATURA DI UTILIZZAZIONE

INLET PRESSURE
EINGESTEUERTER DRUCK
PRESSION D'ALIMENTATION P1=10 bar MAX.
PRESSIONE DI ALIMENTAZIONE

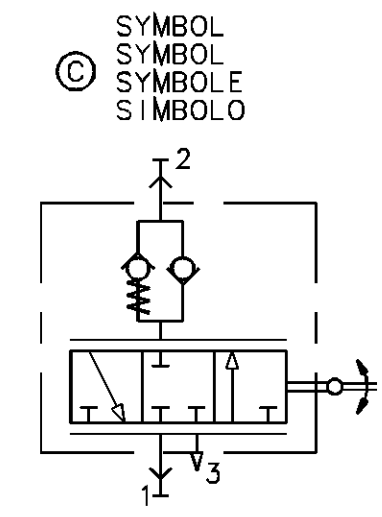
CHECK VALVE ON DELIVERY FOR
RUECKSCHLAGVENTIL AM ENERGIE ABFLUSS FUER
CLAPET DE RETENUE SUR UTILISATION POUR P2=0.5^{+0.8}_{-0.2} bar
VALVOLA DI RITENUTA SULL'UTILIZZAZIONE PER

FLOW RATE FOR P1= 8 bar
DURCHFLOSS BEI P1= 8 bar
CARACTERISTIQUES DE DEBIT POUR UNE
PRESSION P1= 8 bar
CARATTERISTICHE DI PORTATA PER UNA
PRESSIONE P1= 8 bar



OVERTRAVEL UEBERHUB SURCOURSE SOVRACCORSA
STROKE HUB COURSE CORSA
STROKE HUB COURSE CORSA
OVERTRAVEL UEBERHUB SURCOURSE SOVRACCORSA

STROKE OF LEVER
HEBELWEG
COURSE DU LEVIER
CORSO DELLA LEVA



- * FIXING OF THE VALVE BY SCREW M8, TORQUE :
- * BEFESTIGUNG DES GERÄTES MIT SCHRAUBE M8, ANZUGSMOMENT :
- * FIXATION DE L'APPAREIL PAR VIS M8, COUPLE DE SERRAGE : 24 ±4 NmⓈ
- * FISSAGIO DELL'APPARECCHIO PER VITE M8 COPPIA DI SERRAGGIO :

FURTHER TECHNICAL DATA SEE		L		COPYRIGHT		WABCO	
IDENTIFICATION NO.:		K		DATE	SIGNATURE		
CODE FOR DOCUMENT: 605 SHEET: TO		J		03-02-92	ROLAND		
GENERAL TOLERANCES		H		DRAWN	ROLAND	LEVELLING VALVE	
RANGE OF NOMINAL DIMENSIONS (± mm)		G		CHECKED	BION	LUFTFEDERVENTIL	
CLASS	1) ≤50	F		STANDARDIZATION	17-05-94/92015	VALVE DE NIVELLEMENT	
	>50	E		PRODUCT IDENTIFICATION NO.		VALVOLA LIVELLATRICE	
	>180	D		95282	6x C	01-11-95	
	>400			92143odd	1x B	17-05-94	
	>400			92131	18x A	20-07-92	
TAPPED HOLES ACC. ISO 4039 / JED-152				DCN-NO.	REV.	DATE	
1) TOLERANCE CLASS APPLIED CROSSMARKED							
				MASS SCALE		REPLACEMENT FOR	
				kg 1:1		884 604 885	
				SIZE T.R.J.		605 1/1	
				A 1 210		884 604 885	
				CODE F.PROD.-GROUP CODE FOR SHAPE		REPLACEMENT FOR	
						884 604 885	