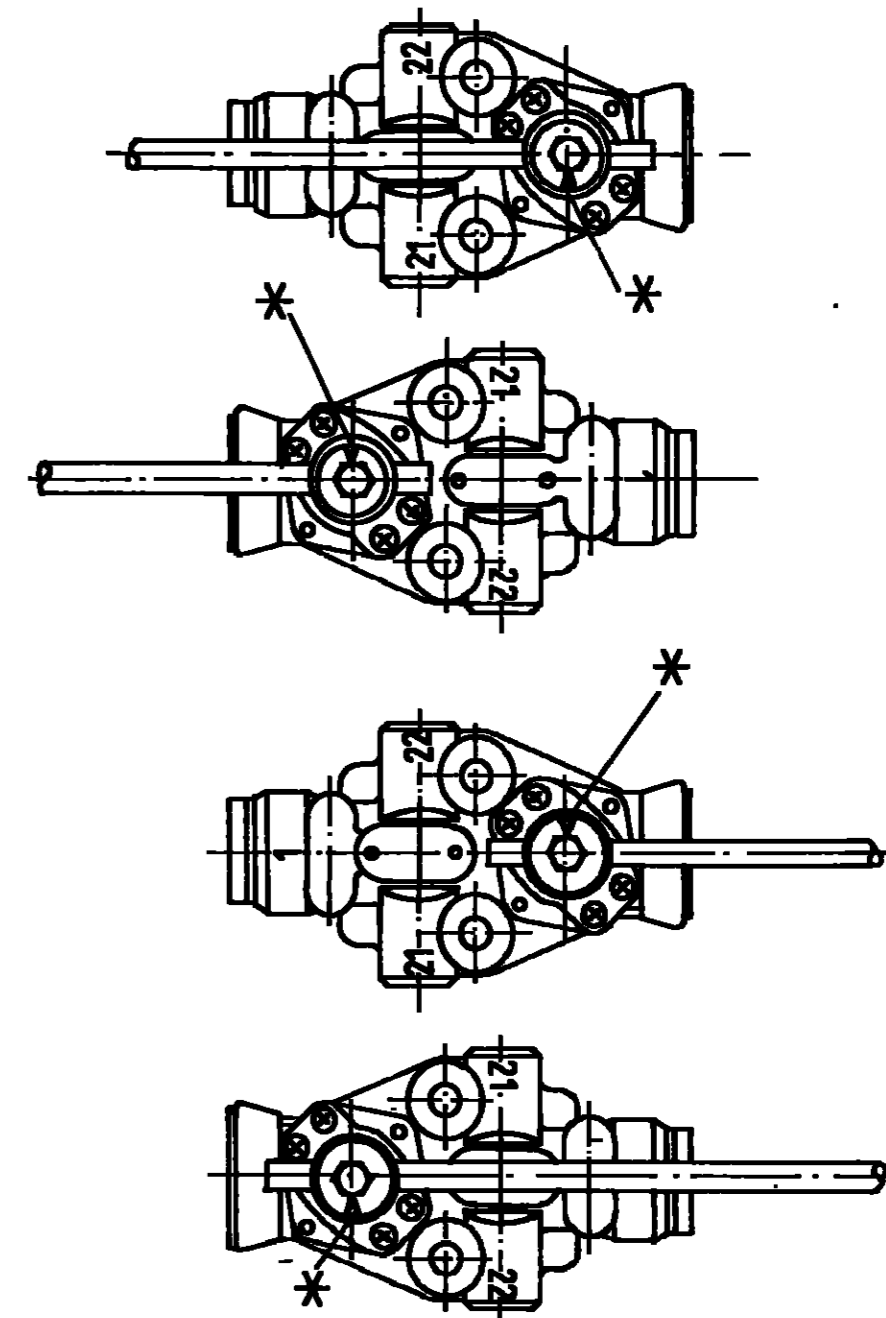


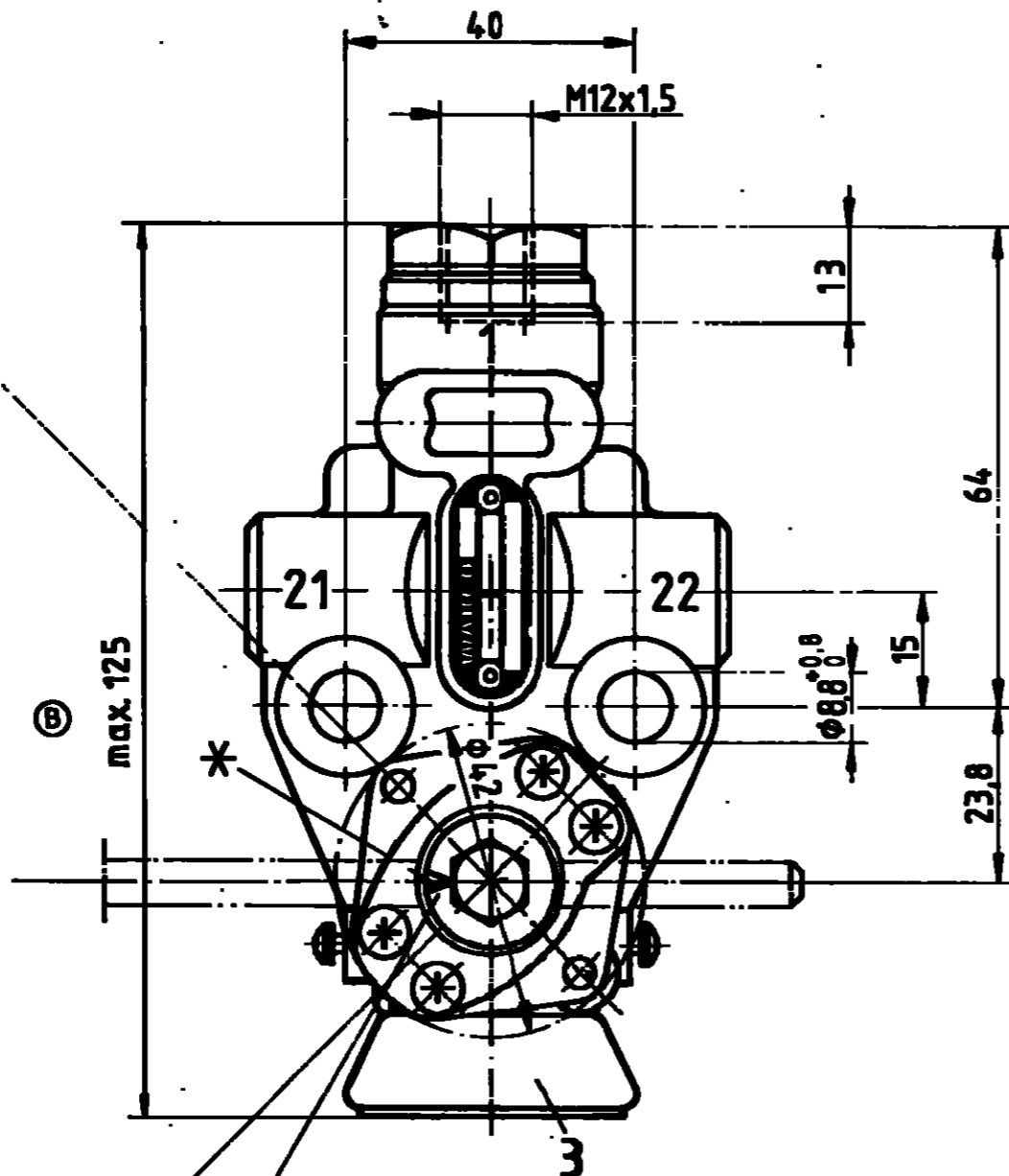
PRESSURIZING
BELUEFTEND
NORMALEMENT FERME
NORMALMENTE CHIUSO

CONNECTION OF THE VALVE ON FOUR SIDES POSSIBLE
TURN LEVER CORRESPONDINGLY. RESP. TO COMMUTATE
ANLENKUNG DES VENTILS VIERSEITIG MOEGLICH
STANGE DEMENTSPRECHEND UMSCHWENKEN BZW. UMSTECKEN
LIAISON SUR LA VALVE POSSIBLE DES QUATRE COTES
ORIENTER LA BARRE EN TOURNANT CONFORMEMENT.
ACCOPIAMENTO DELLA VALVOLA POSSIBILE DALLE QUATRO
PARTI PER ORIENTARE LA LEVA GIRARE CONFORME.

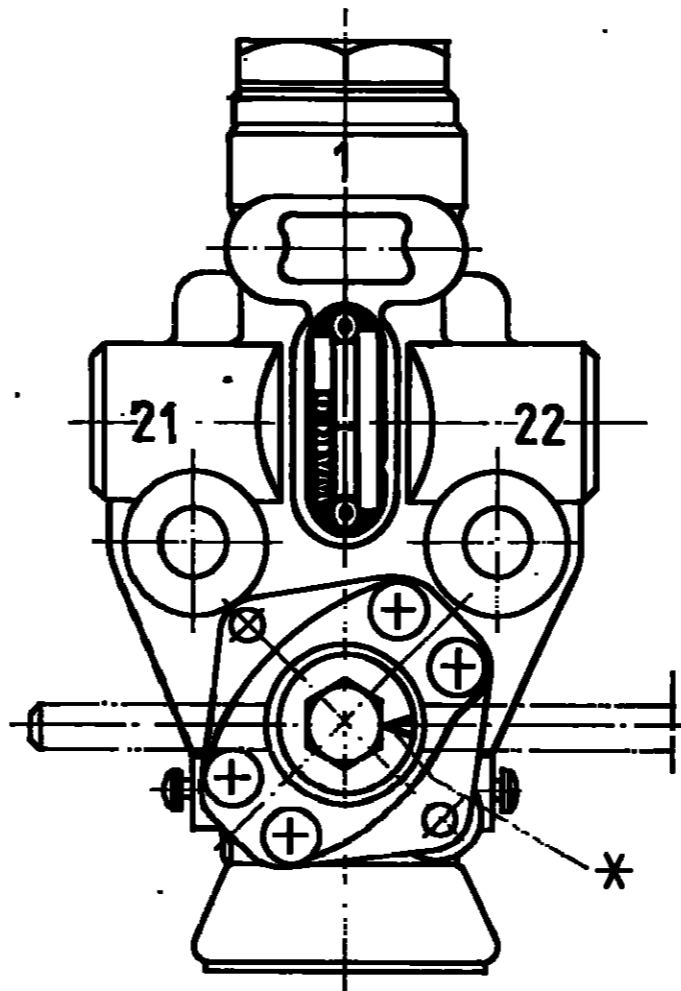


* OBSERVE THE MARK ON THE SHAFT
MARKIERUNG AUF DER WELLE BEACHTEN
OBSERVER LA MARQUE SUR L' ABRE
OSSERVARE IL SEGNO SULL' ALBERO

WORKING RANGE
ARBEITSBEREICH
PLAGE DE TRAVAIL
CAMPO DI LAVORO

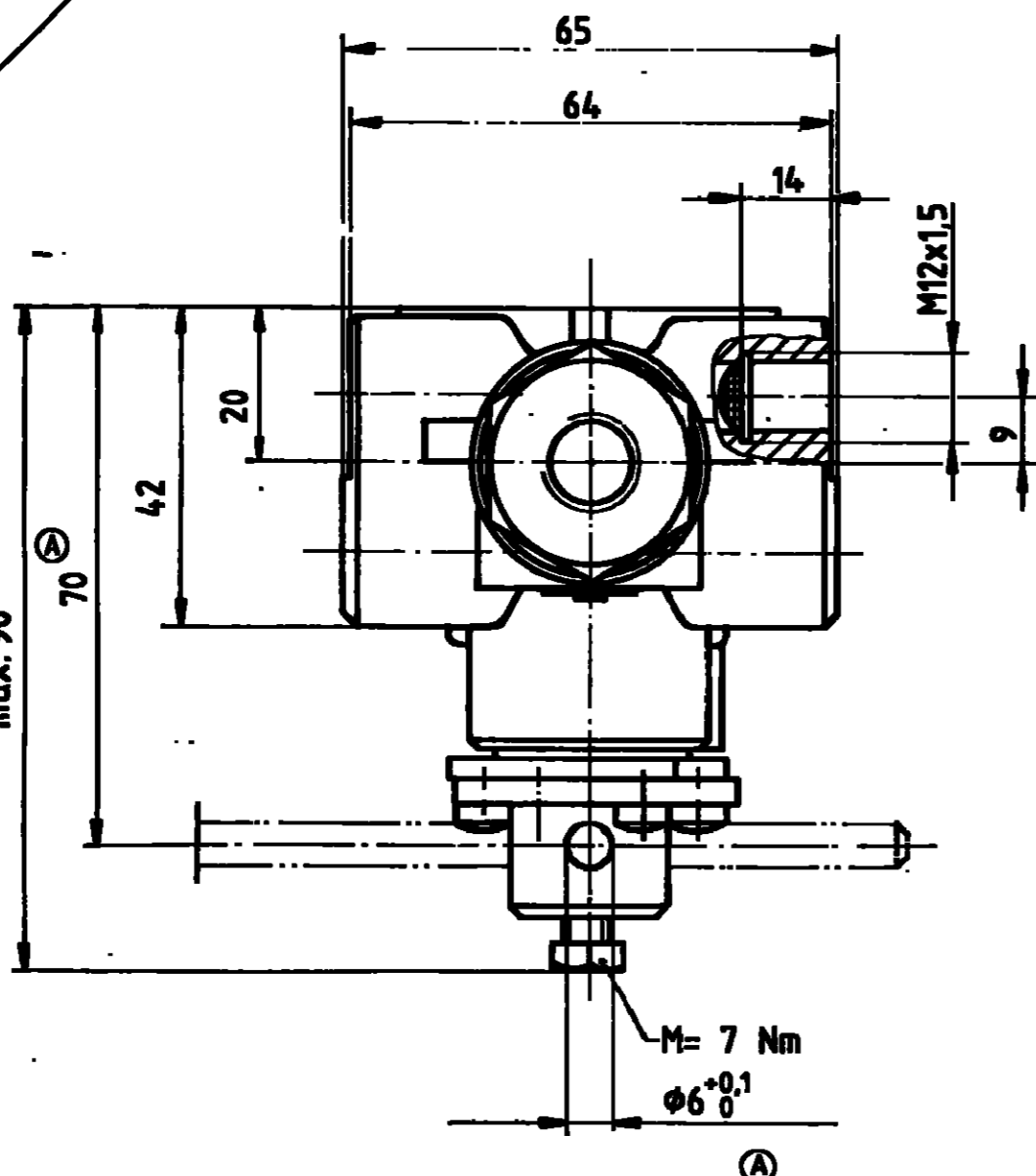
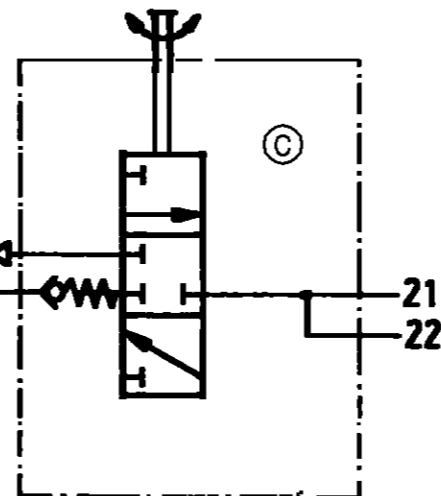


POSITION OF ASSEMBLY
MONTAGESTELLUNG
POSITION DE ASSEMBLAGE
POSIZIONE DI MONTAGGIO



FIXING OF THE VALVE IN CLOSED POSITION AT ≈ 7 bar RESERVOIR PRESSURE AND ≈ 3 bar PRESSURE IN THE BELLOW BY A PIN OF $\phi 4h8$ OR A PARALLEL PIN $\phi 4h8 \times 20$ DIN 7.
FIXIERUNG DES VENTILES IN ABSCHLUSSTELLUNG BEI ≈ 7 bar VORRATSDRUCK UND ≈ 3 bar BALGDRUCK MITTELS DORN $\phi 4h8$ ODER ZYL.-STIFT $\phi 4h8 \times 20$ DIN 7.
FIXATION DE LA VALVE EN POSITION FERMEE SOUS ≈ 7 bar PRESSION DANS LEE RESERVOIR ET ≈ 3 bar DANS LE COUSSIN PAR UN TIGE DE $\phi 4h8$ OU UNE GOUPILLE CYLINDRIQUE $\phi 4h8 \times 20$ DIN 7.
FISSAGGIO DELLA VALVOLA IN POSIZIONE CHIUSA PER ≈ 7 bar PRESSIONE NEL SEBRATOIO E ≈ 3 bar PRESSIONE NEL SOFFIETTO PER UNA SPINA DI $\phi 4h8$ O UNA SPINA CILINDRICA $\phi 4h8 \times 20$ DIN 7.

- SUPPLY
ENERGIEZUFLUSS VOM VORRAT
ALIMENTATION
ALIMENTAZIONE
- 1
- DELIVERY
21 ENERGIEABFLUSS IN DIE ARBEITSLEITUNG
22 UTILISATION
MANDATA
- EXHAUST
3 ANSCHLUSS, ATMOSPHAERE
ECHAPPEMENT
SCARIO



EXHAUSTING
ENTLUEFTEND
ECHAPPEMENT
SCARICO

FURTHER TECHNICAL DATA SEE		L	COPYRIGHT BY WABCO		WABCO
IDENTIFICATION No 464 002 530 0		K	DATE	SIGNATURE	
CODE FOR DOCUMENT 605 SHEET 2/3/4 TO 4		J	90-05-03	<i>[Signature]</i>	LEVELLING VALVE VALVE DE NIVELLEMENT VALVOLA LIVELLATRICE LUFTFEDERVENTIL
GENERAL TOLERANCES		H	90-05-03	<i>[Signature]</i>	
CLASS	RANGE OF NOMINAL DIMENSIONS (in mm)				TAPPED HOLES ACC. ISO 4039
		< 50	> 50 < 100	> 100 < 400	
		1	2	3	
I	0.5	1	1.5	2	657076 2x B 95-04-20
II	1	2	3	4	45462 2xA 90-07-27
III	2	3.5	5	6.5	
TOLERANCE CLASS APPLIED CROSSMARKED		D	MASS	SCALE	IDENTIFICATION
		E	0.55 kg	1:1	464 002 530 0
		F	A 2	1:1	605 1/4
		G			564
		H			
		I			
		J			
		K			
		L			

Vertical text on the left margin containing technical specifications and legal notices in multiple languages.