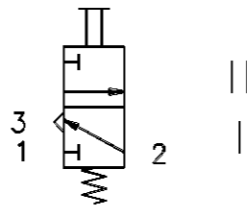
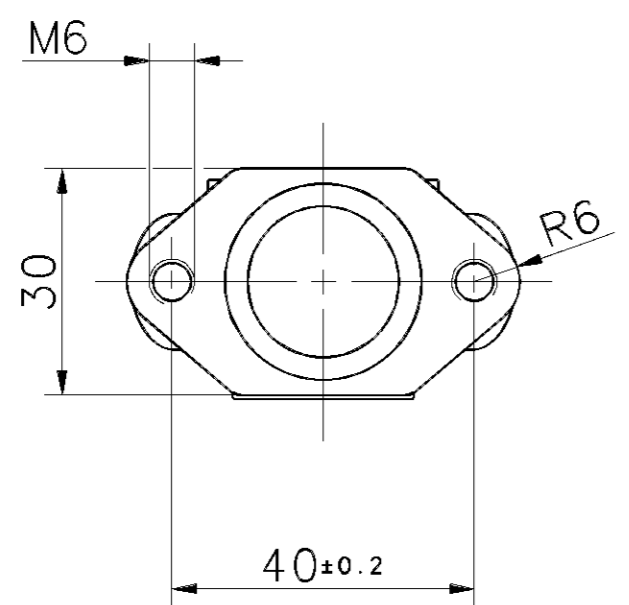


THERMAL RANGE OF APPLICATION : -40°C ... +80°C  
 THERMISCHER ANWENDUNGSBEREICH :  
 GAMME D'APPLICATION THERMIQUE :  
 CAMPO DI APPLICAZIONE THERMICA :  
 NOMINAL DIAMETER : MIN. 7 mm<sup>2</sup> (≅∅3mm)  
 NENNWEITE :  
 DIAMETRE NOMINAL :  
 DIAMETRO NOMINALE :  
 MAX. PERMISSIBLE WORKING PRESSURE : p<sub>e</sub> = 12 bar  
 MAX. ZULAESSIGER BETRIEBSDRUCK :  
 PRESSION D'UTILIZATION MAXI ADMISSIBLE :  
 PRESSIONE DI ESERCIZIO MAX. AMMISSIBLE :  
 OPERATING FORCE AT 11 bar : F = 70 N  
 BETAETIGUNGSKRAFT BEI :  
 EFFORT DE COMMANDE A :  
 FORZA DI COMANDO PER :  
 PERMISSIBLE OVER LOAD : F = 2000 N MAX.  
 ZULAESSIGE UEBERLAST :  
 SURCHARGE ADMISE :  
 SOVRACCARICO AMMESSO :  
 MEDIUM : AIR  
 ARBEITSMEDIUM : LUFT  
 FLUIDE : AIR  
 FLUIDO : ARIA  
 COURSE :  
 BETAETIGUNGSWEG : 4.5 mm  
 \* COURSE :  
 CORSA :

- 1 SUPPLY OF ENERGY FROM THE RESERVOIR  
ENERGIEZUFLUSS VOM VORRAT  
CHARGE D'ENERGIE DU RESERVOIR  
ALIMENTAZIONE DI ENERGIA DAL SERBATOIO
- 2 DELIVERY  
ENERGIEABFLUSS IN DIE ARBEITSLEITUNG  
UTILISATION  
MANDATA
- 3 TO ATMOSPHERE (EXHAUST)  
ANSCHLUSS ATMOSPHAERE (ENTLUEFTUNG)  
A L'ATMOSPHAERE (ECHAPPEMENT)  
ALL'ATMOSFERA (SCARICO)



\* \* INSTALLATION POSITION : OPTIONAL (WITHOUT PROTECTION, AS DRAWN)  
 EINBAULAGE : BELIEBIG (UNGESCHÜTZT, WIE GEZEICHNET)  
 POSITION D'INSTALLATION : A VOLONTE (SANS PROTECTION, SUIVANT DESSIN)  
 POSIZIONE DI MONTAGGIO : A SCELTA (SENZA PROTEZIONE, COME DISEGNATO)

GENERAL SPECIFICATION:		JED-334		CADAM-DRAWING COPYRIGHT		<b>WABCO</b>	
FURTHER TECHNICAL DATA:				DATE		SIGNATURE	
DOC. CODE:		SHEET: TO		DRAWN:		3/2 DIRECTIONAL CONTROL VALVE	
				99-01-15 VOGES		3/2 WEGEVENTIL	
				99-01-15 DIEKMAYER		DISTRIBUTEUR 3/2	
				STANDARDIZATION:		VALVOLA 3/2	
GENERAL TOLERANCES				MASS		SCALE	
RANGE OF NOMINAL DIMENSIONS ( ± mm )				0.2		1:1	
CLASS 1)	≤50	>50 ≤180	>180 ≤400	>400	PRODUCT IDENTIFICATION NO.		
FINE	0,5	1,0	1,5	2,0	463 036 024 0		
MEDIUM	1,0	2,0	3,0	4,0	DOC. CODE SHEET		
COARSE	2,0	3,5	5,0	6,5	605 1/1		
TAPPED HOLES ACC. ISO 4039 / JED-152		072701 1xE 99-11-21		SIZE		T.R.I.	
		071779 3xD 99-07-29		A 2		140	
		071439 1xC 99-05-07		SHAPE CODE		REPLACEMENT FOR	
		070019 5xB 99-02-03		884 010 910 0			
		070018 3xA 99-01-27		EXPERT CODE		7 1 9	
1) TOLERANCE CLASS APPLIED CROSSMARKED		DCN-NO. REV. DATE		PRODUCT TYPE		XX	

NON È PERMESSO CONSEGNARE A TERZI O RIPRODURRE QUESTO DOCUMENTO, NE UTILIZZARNE IL CONTENUTO O RENDERSI RESPONSABILI PER QUALSIASI DANNI, DANNI SUBITI, E FATTA RISERVA DI TUTTI I DIRITTI DERIVANTI DA BREVETTI O MODELLI. COPIING OF THIS DOCUMENT AND THE USE OF COMMUNICATION OF THE CONTENTS THEREOF, WITHOUT THE WRITTEN PERMISSION OF THE AUTHOR, IS PROHIBITED. ALL RIGHTS ARE RESERVED IN THE EVENT OF THE GRANT OF PATENT OR REGISTRATION OF A UTILITY MODEL OR DESIGN. THIS DOCUMENT IS THE SUBJECT OF COPYRIGHT.

TOUPE COMMUNICATION OU REPRODUCTION DE CE DOCUMENT, TOUTE EXPLOITATION OU COMMUNICATION DE SON CONTENU, SANS LE CONSENTEMENT ÉCRIT DE L'AUTEUR, EST INTERDITE. LE TIEN DE CE DOCUMENT, EN TANT QUE LE TIEN D'UN DOCUMENT INDUSTRIELLE RÉSERVÉ, NOTAMMENT EN MATIÈRE DE BREVETS ET DE MODÈLES. WELLEGABE SOWIE VERVIELFÄLTIGUNG DIESER UNTERLAGE, VERBREITUNG UND MITTEILUNG IHRES INHALTS NICHT OHNE SCHRIFTLICHE ZULASSUNG DES VERFASSERS IST VERBODEN. ALLE RECHTE IN DER FALLE DER PATENTIERUNG ODER GEBRAUCHSMUSTER-EINTRAGUNG VORBEHALTEN.