

F F

E E

D D

C C

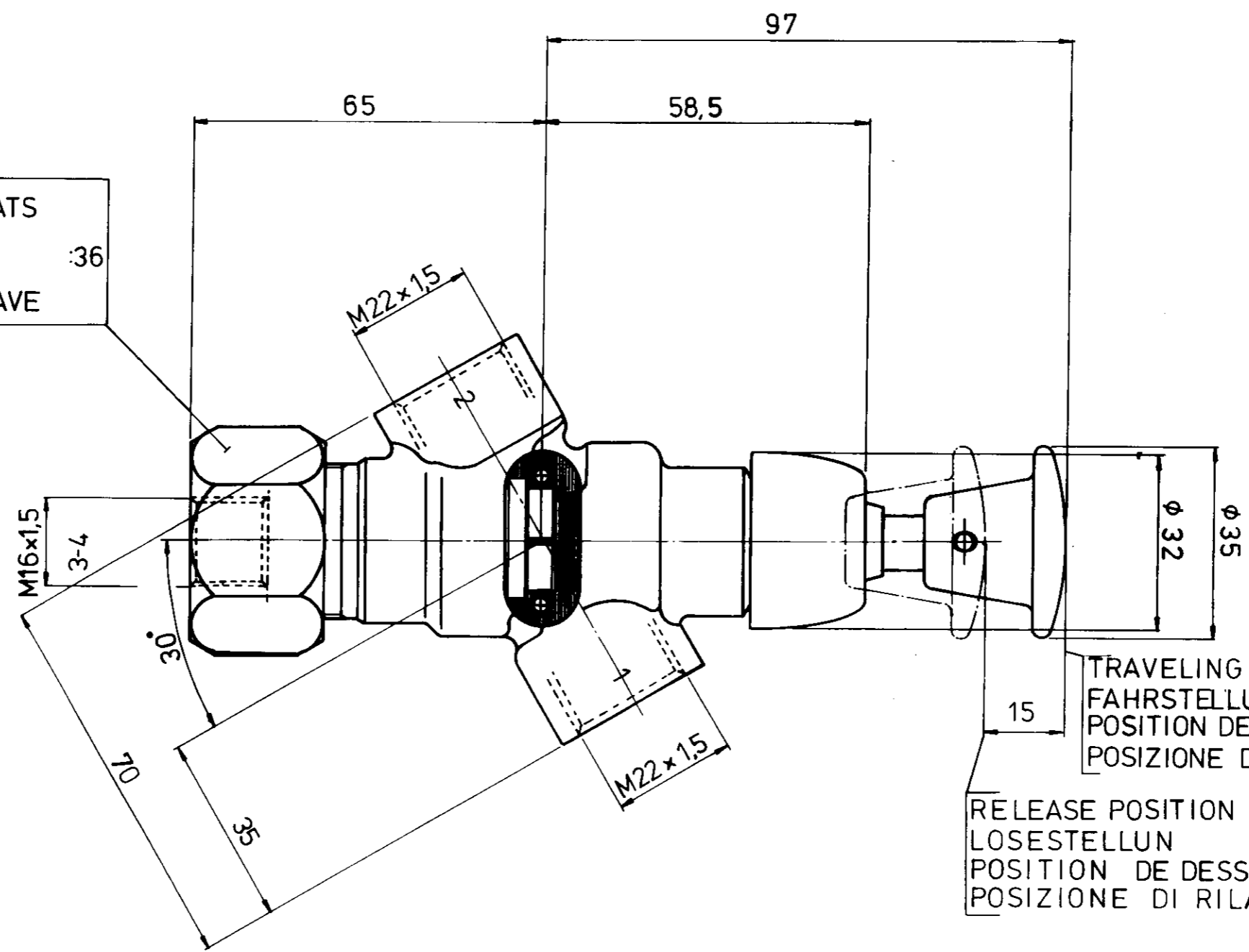
B B

A A

WIDTH ACCROSS FLATS
SCHLUESSELWEITE
SURPLAT
LARGHEZZA DI CHIAVE

36

- 1 FROM RESERVOIR
VORRATSLEITUNG
DU RESERVOIR
DEL SERBATOIO
- 2 DELIVERY
AUGESTEUERTER DRUCK
PRESSION DELIVRE
PRESSIONE EROGATA
- 3 EXHAUST
ENTLUEFTUNG
ECHAPPEMENT
SCARICO
- 4 CONTROL PORT
STEUERANSCHLUSS
ORIFICE DE COMMANDE
ORIFIZIO DI COMANDO



TRAVELING POSITION
FAHRSTELLUNG
POSITION DE MARCHÉ
POSIZIONE DI MARCIA

RELEASE POSITION
LOSESTELLUN
POSITION DE DESSERAGE
POSIZIONE DI RILASCIO

PORT 1,2 TORQUE
ANSCHLUSS1,2 ANZUGSMOMENT
ORIFICE 1,2 COUPLE DE SERRAGE
ORIFIZIO1,2 COPPIA DI SERRAGGIO
MAX 55 Nm

PORT 3-4 TORQUE
ANSCHLUSS 3-4 ANZUGSMOMENT
ORIFICE 3-4 COUPLE DE SERRAGE
ORIFIZIO 3-4 COPPIA DI SERRAGGIO
MAX 50 Nm

| | | | | |
|---|-----------------|--------------------|--------------------------------|---------------------|
| J H G F E D C B A | DATE | SIGNATURE | WABCO WESTINGHOUSE | |
| | 83-03-08 | <i>[Signature]</i> | TRAILER RELEASE VALVE | |
| | CHECKED | <i>[Signature]</i> | VALVE DE DESSERAGE DE REMORQUE | |
| | STANDARDIZATION | | VALVOLA DI FRENATURA RIMORCHIO | |
| 4 41 | 83-04-29 | MASS | SCALE | IDENTIFICATION CODE |
| CHANGE NO | LETT | DATE | Kg | 1 1 |
| REPLACEMENT FOR | SIZE | T R I | 463 034 002 0 | |
| | A 3 | 193 | CODE FOR FUNCTION | CODE FOR SHAPE |
| | | | 23 | 24 |
| | | | 605 | 25 |
| | | | 18 | SHEET |
| | | | | 1/2 |

COPYRIGHT BY WABCO WESTINGHOUSE GMBH HANNOVER