

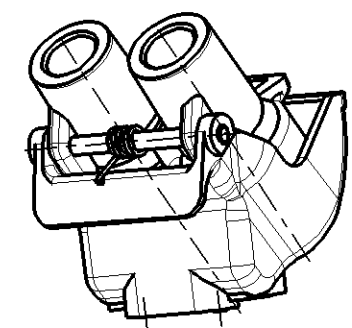
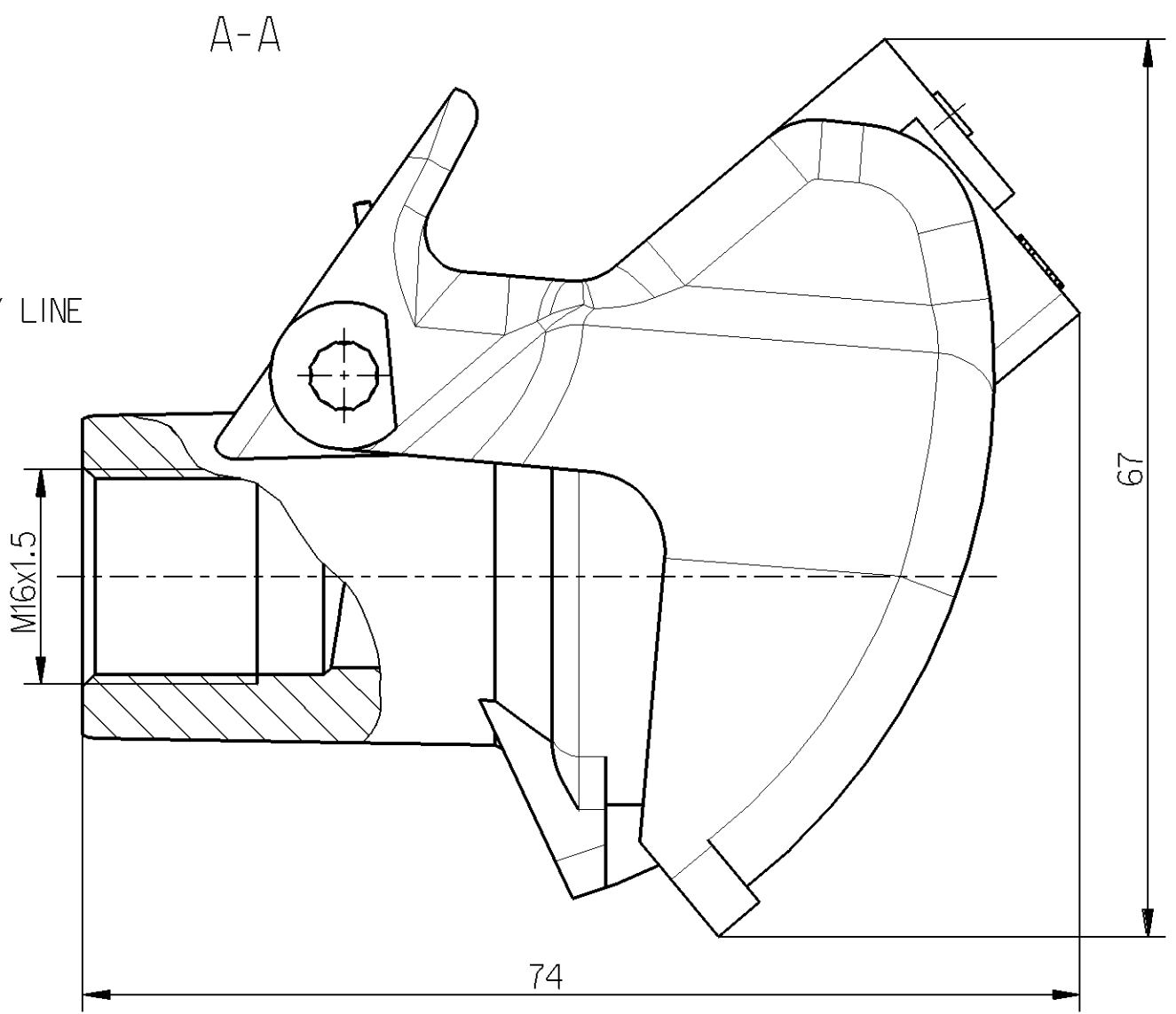
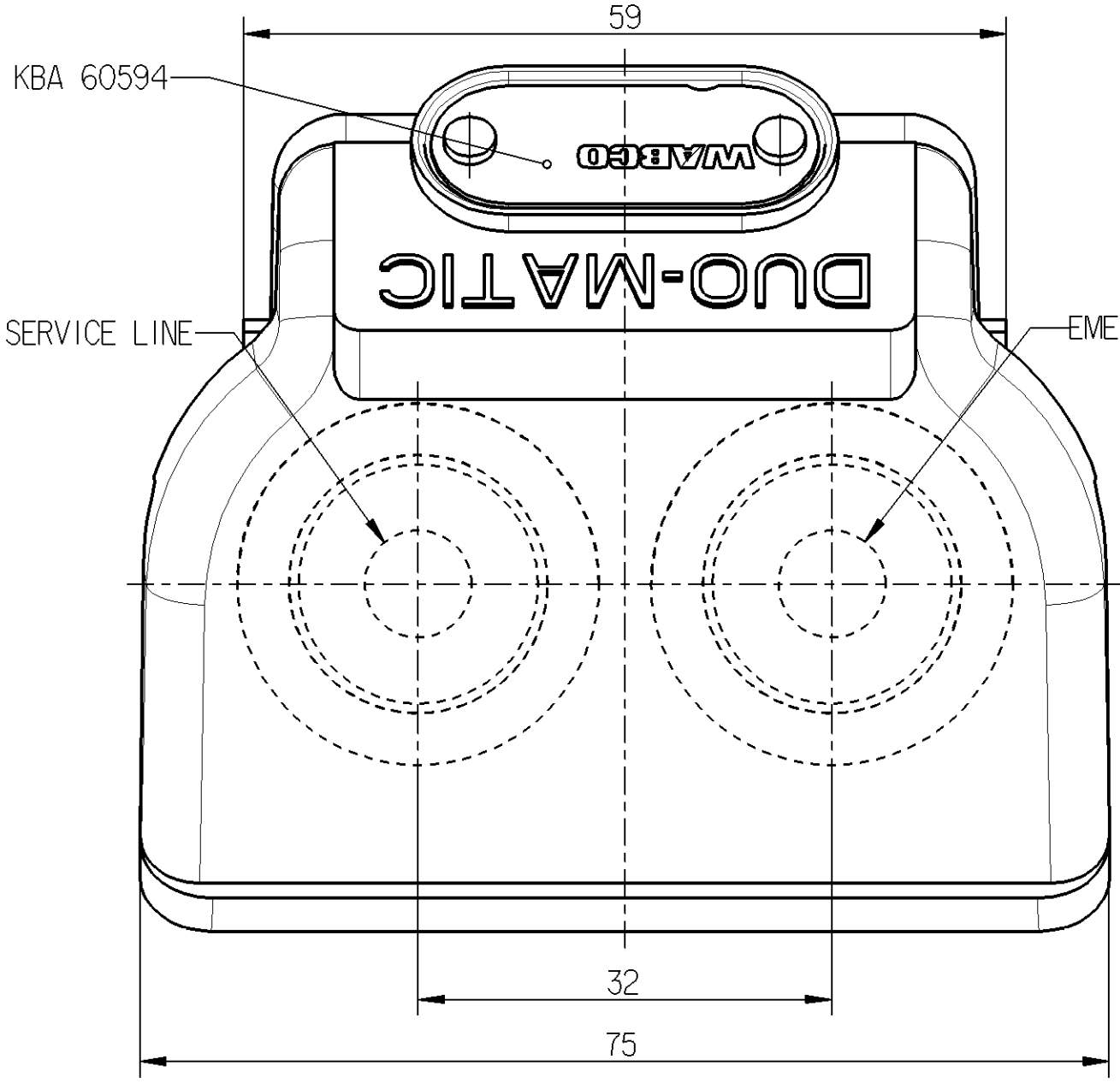
Non e permesso consegnare a terzi o riprodurre questo documento, ne utilizzare il contenuto o renderlo comunque noto a terzi senza autorizzazione esplicita. Ogni infrazione costituira un evidente abuso e comportera il risarcimento dei danni subiti. E' fatta riserva di tutti i diritti derivanti da brevetti o modelli.

It is forbidden without express permission to deliver this document or its contents to third parties, or to use or communicate the contents thereof, or to make the contents thereof known to third parties without express permission. Any infringement will constitute an evident abuse and result in a liability to the payment of damages. All rights are reserved in the event of the grant of patent or registration of a utility model or design. This document is the subject of copyright.

Tout communication ou reproduction de ce document, toute exploitation ou communication de son contenu sont interdites, sauf autorisation expresse. Tout manquement a cette regle constitue un abus evident et expose son auteur au versement de dommages et interets. Tous droits de propriete industrielle reserves, notamment en matiere de brevets et de modesles.

Verwertung dieser Unterlage, Verwertung und Mitteilung ihres Inhalts nicht ausdrucklich zugestanden. Zuwiderhandlungen stellen einen offensichtlichen Missbrauch dar und Alle Rechte fuer den Fall der Patenterteilung oder Gebrauchsmuster-Eintragung vorbehalten.

Further Technical Data: Date Signature



THERMAL RANGE OF APPLICATION:  
 THERMISCHER ANWENDUNGSBEREICH: -40°C. . . +80°C  
 GAMME D'UTILISATION THERMIQUE:  
 TEMPERATURA DI ESERCIZIO:

WORKING PRESSURE:  
 BETRIEBSDRUCK: MAX. 10 BAR  
 PRESSION DE SERVICE:  
 PRESSIONE DI ESERCIZIO:

MEDIUM: AIR  
 MEDIUM: LUFT  
 FLUIDE: AIR  
 FLUIDO: ARIA

110601	B	06.08.21
DCN-No.	Rev.	Date
State of Revision		

General Specification: JED-334-0		Copyright WABCO®		
Further Technical Data:		Date	Signature	
Doc. Code:	Sheet:	To		
General Tolerances JED-261				
Class 1)	Range of Nominal Dimensions ( ± mm)			
	≤ 50	> 50 ≤ 180	> 180 ≤ 400	> 400
Fine	0.5	1.0	1.5	2.0
Medium	X	1.0	2.0	3.0
Coarse		2.0	3.5	5.0
Tapped Holes acc. JED-152				
1) Tolerance Class Applied Crossmarked				

2006-08-08	Mikolajczyk
2006-10-18	Hladik
Expert	
BUCZYLKO	
Mass	Scale
0.217 KG	2:1
Size	TRI
A 3	540

<b>WABCO</b>		
QUICK COUPLING SCHNELLKUPPLUNG RACCORD RAPIDE GIUNZIONE RAPIDA		
Material No.	WABCO Id. No.: 4528050040	
452 805 004 0	Doc.Code	Language
	605	en/de fr/it
Function Code	CAD System	Prod.Type
	Pro/E	0 0 X
Replacement for		

dw: 4528050040...605 / Version: / state: / mail: 4528050040...A02