

GROUND COLOR: BLACK EXCEPT
 STOP KEY: RED
 GRUNDFARBE: SCHWARZ AUSSER
 STOPPTASTE: ROT
 COULEUR DE FOND: NOIR, A L'EXCEPTION DE
 TOUCHE STOP: ROUGE
 COLORE DE FONDO: NERO, A PARTE DI
 TASTO STOP: ROSSO

INDICATOR LAMPS: GREEN
 ANZEIGELAMPEN: GRUEN
 LAMPES TEMOIN: VERT
 SPIE LUMINOSE: VERDE

BACKLIGHTING: WHITE
 HINTERGRUNDBELEUCHTUNG: WEISS
 ECLAIRAGE DE FONDO: BLANC
 ILLUMINAZIONE DELLO SFONDO: BIANCO

SYMBOL: WHITE
 SYMBOL: WEISS
 SYMBOLE: BLANC
 SIMBOLI: BIANCO

ⓑ <2> STAMP: TOLERANCE OF POSITION $\pm 0.1 / \pm 2^*$
 AUFDRUCK: LAGETOLERANZ $\pm 0.1 / \pm 2^*$
 MARQUAGE: TOLERANCE DE POSITION $\pm 0.1 / \pm 2^*$
 STAMPIGLIATURA: TOLLERANZA DI POSIZIONE $\pm 0.1 / \pm 2^*$

SURFACE GRAINED ACCORDING TO:
 OBERFLAECHE GENARBT GEMAESS: JED-533-035 (VDI 3400 REF. 24) *
 SURFACE GRAINEE SELON: JED-533-038 (VDI 3400 REF. 33) **
 SUPERFICIE GRANITA SECONDO:

VOLTAGE:
 SPANNUNG: 24V $\pm 25\%$ DC
 VOLTAGE:
 VOLTAGGIO:

THERMAL RANGE OF APPLICATION:
 THERMISCHER ANWENDUNGSBEREICH: $-40^{\circ}\text{C} \dots +70^{\circ}\text{C}$
 CLASSE DE TEMPERATURE EN UTILISATION:
 CAMPO TERMICO DI APPLICAZIONE:

TYPE OF PROTECTION:
 SCHUTZART: IP 64
 MODE DE PROTECTION:
 TIPO DI PROTEZIONE:

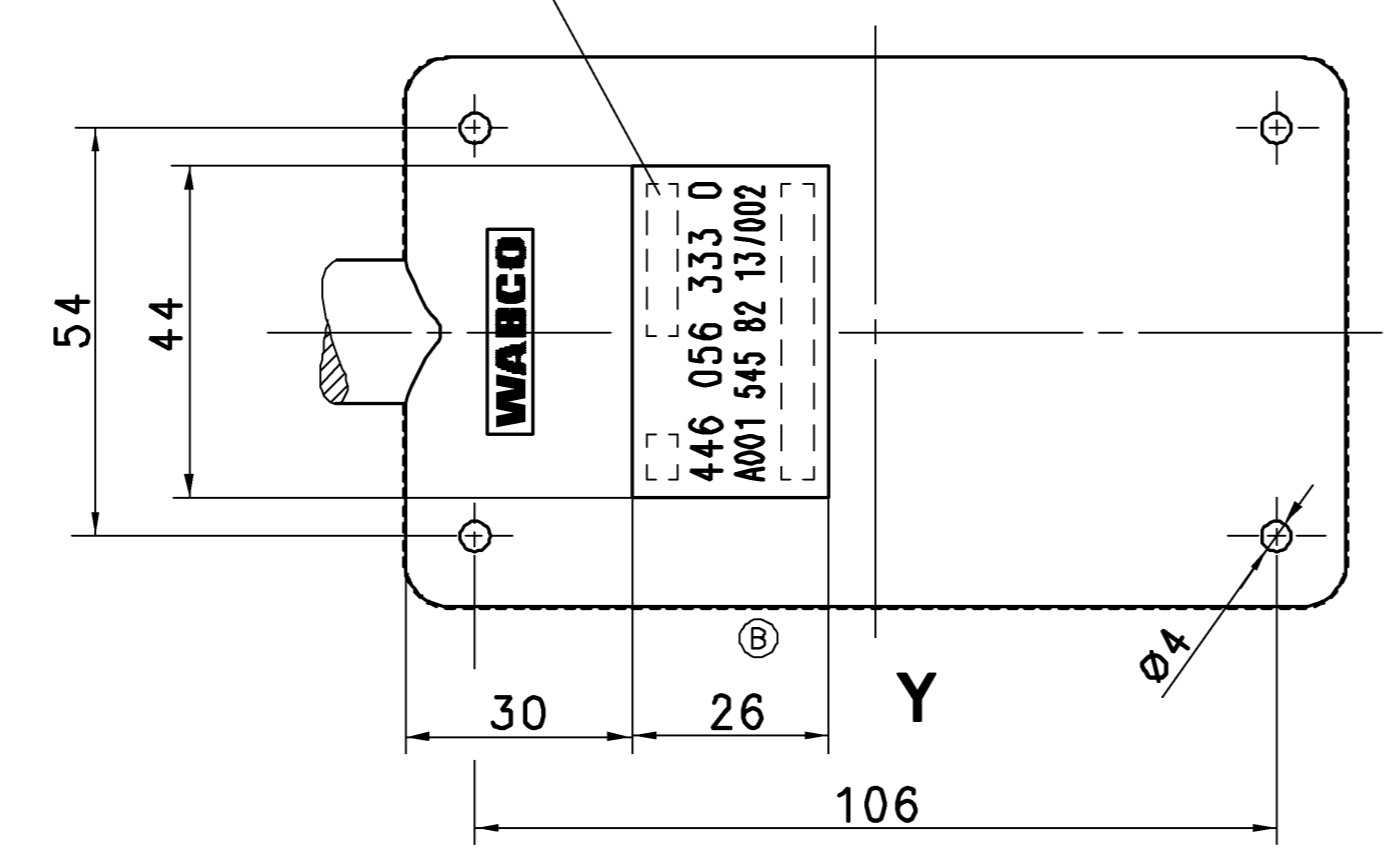
FURTHER TECHNICAL DATA SEE PRODUCT SPECIFICATION
 WEITERE TECHNISCHE DATEN SIEHE PRODUKTSPEZIFIKATION
 POUR AUTRES DONNEES TECHNIQUES VOIR PRODUCT SPECIFICATION
 PER ULTERIORI DATI TECNICI VERDERE SPECIFICA DI PRODOTTO

WORKING LENGTH (STRECKED)
 ** ARBEITSLAENGE (GESTRECKT)
 LONGUEUR DE TRAVAIL (CONNECTE)
 LUNGHEZZA DI LAVARO (STESO)

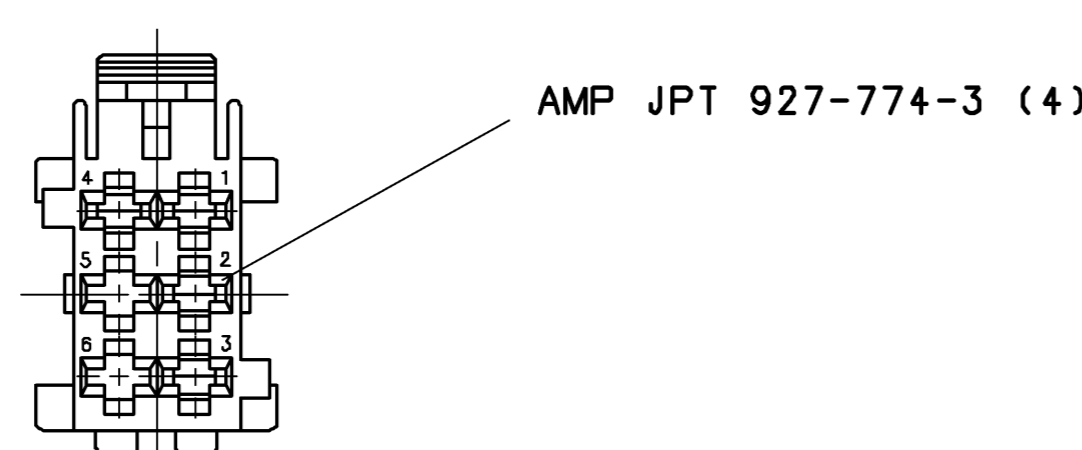
MAX. 700 MM ***

MAX. 2000 MM

DATE OF MANUFACTURE:
 HERSTELLDATUM: JED-226
 DATE DE FABRICATION:
 DATA DI FABRIZIONE:



X
 2:1



- 1 +UB KL. 15
- 2 GROUND MASSE KL. 31
- 3 CLOCK TAKT
- 4 DATA DATEN

General Specification: JED-334-0		Copyright WABCO		WABCO	
Further Technical Data:		Date:	07-09-07	Design:	PFENNIG
Doc. Code:	Sheet: To	07-09-07 HARTMANN			
General Tolerances JED-261					
Range of Nominal Dimensions (\pm mm)					
Class 1)	≤ 50	> 50	> 180	> 180	> 400
Fine	0.5	1.0	1.5	2.0	$\pm 3^*$
Medium	1.0	2.0	3.0	4.0	
Coarse	2.0	3.5	5.0	6.5	
Tapped Holes acc.		Mass	Scale	Material No.	
1) Tolerance Class Applied Crossmarked		0.30	1:1	446 056 333 0	
		kg	2:1	Doc. Code	Language
		Size	CAD System	114415	B
				Techn. Resp.	6530_E
				Replacement For	
				100mm	

This document is a reproduction of the original and is not to be used for any other purpose than the one for which it was prepared. It is the property of WABCO and its use is restricted to the specific application for which it was prepared. Any other use is prohibited. WABCO reserves the right to change the design of its products without notice.