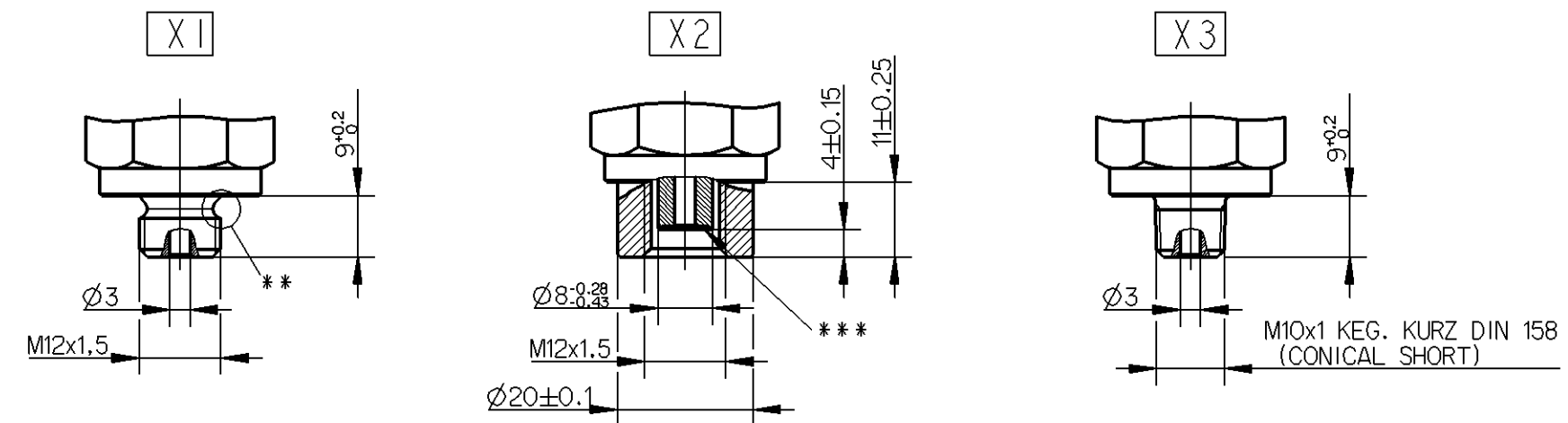
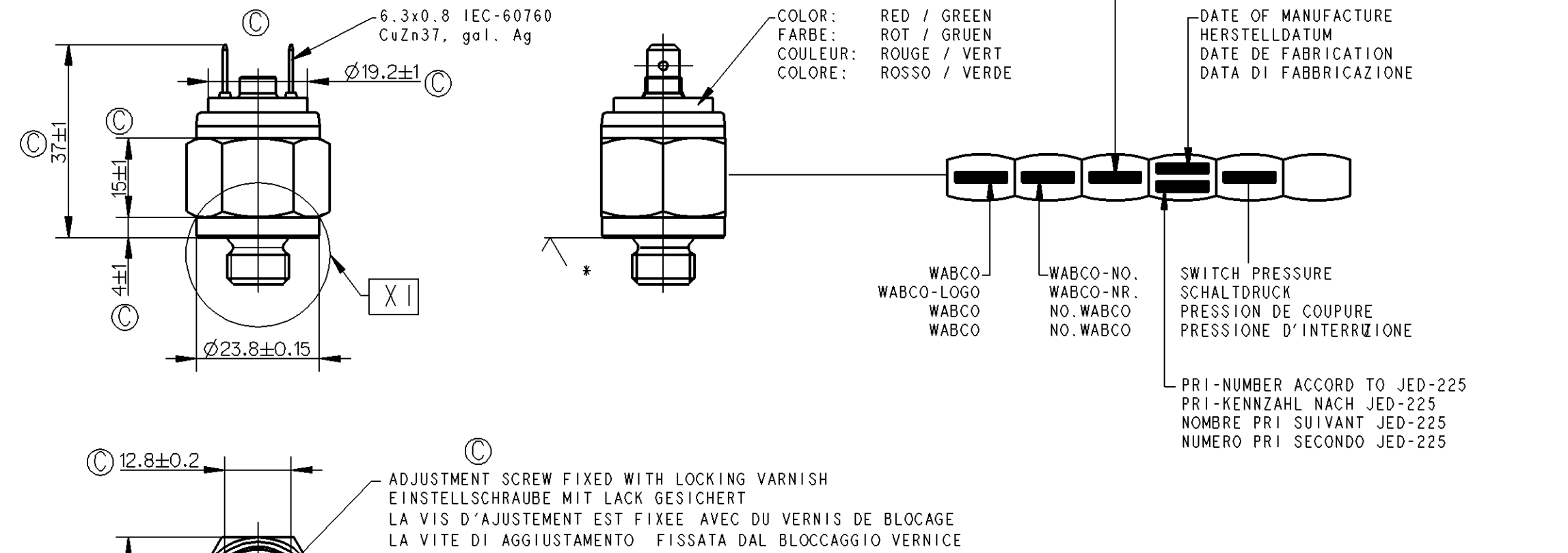


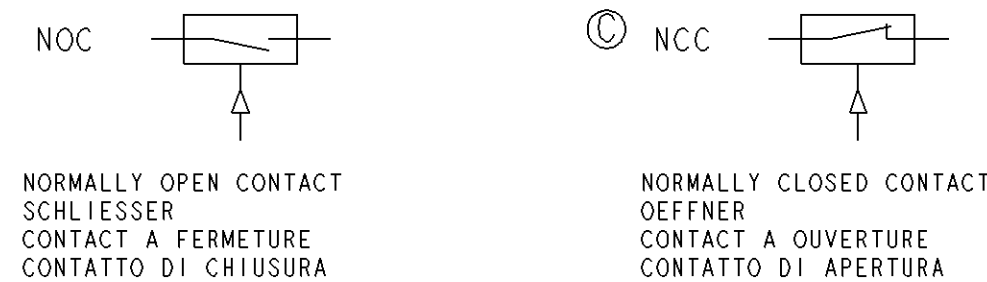
WABCO-NO. WABCO-NR. NO. WABCO NO. WABCO	SWITCH PRESSURE SCHALDRUCK PRESSION DE COUPURE PRESSIONE D'INTERRUZIONE	TYPE OF SWITCH /COLOR SCHALTERTYP /FARBE TYPE DE CONTACTEUR /COULEUR TIPO DI INTERRUOTORE /COLORE	THREAD GEWINDE FILETAGE FILETTATURA
441 014 001 0	2.0 ±0.2 bar	NOC / RED	X1
441 014 002 0	1.0 ± 0.2 bar	NOC / RED	X3
441 014 004 0	5.5 ±0.6 bar	NCC / GREEN	X1
441 014 005 0	2.0 ±0.2 bar	NOC / RED	X3
441 014 006 0	2.0 ±0.2 bar	NCC / GREEN	X1
441 014 007 0	3.0 ±0.3 bar	NOC / RED	X3
441 014 008 0	4.2 ±0.4 bar	NCC / GREEN	X3
441 014 009 0	4.0 ±0.4 bar	NOC / RED	X3
441 014 010 0	0.3 ±0.1 bar	NCC / GREEN	X1
441 014 012 0	3.5 ±0.4 bar	NCC / GREEN	X1
441 014 013 0	4.1 ±0.4 bar	NCC / GREEN	X1
441 014 014 0	4.5 ±0.5 bar	NCC / GREEN	X1
441 014 015 0	5.0 ±0.5 bar	NCC / GREEN	X1
441 014 017 0	4.0 ±0.4 bar	NOC / RED	X1
441 014 018 0	1.2 ±0.2 bar	NCC / GREEN	X1
441 014 019 0	0.15 ±0.1 bar	NOC / RED	X1
441 014 020 0	2.0 ±0.2 bar	NCC / GREEN	X3
441 014 021 0	0.5 ±0.15 bar	NOC / RED	X1
441 014 022 0	6.0 ±0.6 bar	NOC / RED	X1
441 014 023 0	2.5 ±0.3 bar	NOC / RED	X1
441 014 024 0	1.0 ±0.2 bar	NOC / RED	X1
441 014 025 0	6.0 ±0.6 bar	NCC / GREEN	X1
441 014 026 0	4.5 ±0.5 bar	NOC / RED	X1
441 014 029 0	5.0 ±0.5 bar	NOC / RED	X1
441 014 032 0	5.2 ±0.5 bar	NCC / GREEN	X1
441 014 040 0	3.0 ±0.3 bar	NOC / RED	X1
441 014 061 0	5.7 ±0.6 bar	NCC / GREEN	X1
441 014 072 0	6.6 ±0.6 bar	NCC / GREEN	X1
441 014 073 0	5.5 ±0.6 bar	NOC / RED	X1
441 014 083 0	0.3 ±0.1 bar	NCC / GREEN	X2
441 014 100 0	0.15 ±0.1 bar	NOC / RED	X2
441 014 101 0	4.5 ±0.5 bar	NCC / GREEN	X2
441 014 102 0	5.5 ±0.6 bar	NCC / GREEN	X2
441 014 104 0	0.5 ±0.15 bar	NOC / RED	X2
441 014 105 0	5.7 ±0.6 bar	NCC / GREEN	X2



\* SEALING SURFACE  
DICHTFLAECHE  
SURFACE D' ETANCHEITE  
SUPERFICIE DI TENUTA

\*\* THREAD UNDERCUT:  
GEWINDEFREISTICH: DIN 3852 -A  
RAINURE DE FILETAGE:  
GOLA DI SCARICO:

\*\*\* FITTING DIMENSIONS OF MATING COMPONENT ACCORDING TO:  
ANSCHLUSSMASSE AM GEGENSTUECK ENTSPRECHEND: DIN 2353  
LES DIMENSIONS DE LIAISON DU PENDANT SONT SUIVANT:  
DIMENSIONI DI ATTACCO DEL PEZZO CORRISPONDENTE SECONDO:



DEGREE OF PROTECTION: SCHUTZART: DIN 40050

BOY: GEHAUSE: IP 60

ELECTRIC TERMINALS: ELEKTRISCHE ANSCHLUESSE: IP 00

BORNES ELECTRIQUES: MORSETTI ELETTRICI:

SWITCH WITH PROTECTIVE SLEEVE (897 750 342 4) AND CABLE OF Ø 5-0.5:  
SCHALTER MIT SCHUTZHUELLE (897 750 342 4) UND KABEL MIT Ø 5-0.5: IP 65  
INTERRUPTEUR AVEC GAINNE DE PROTECTION (897 750 342 4) ET CABLE D'UN Ø 5-0.5:  
INTERRUPTORE CON GUAINA DI PROTEZIONE (897 750 342 4) E D'UN CAVO DI UN Ø5-0.5:

WORKING PRESSURE: BETRIEBSDRUCK: max. 12 bar

EXCESS PRESSURE: UEBERDRUCK: 16 bar

BURSTING PRESSURE: BERSTDRUCK: 30 bar

PRESSION D'UTILISATION: SURPRESSION:

PRESSIONE DI ESERCIZIO: SOVRAPRESSIONE:

PRESSIONE DI SCOPPIO:

WORKING TEMPERATURE: BETRIEBSTEMPERATUR: -40°C.....+80°C

TEMPERATURE D'UTILISATION: TEMPERATURA DI ESERCIZIO:

TORQUE: ANZUGSMOMENT: max. 30 Nm (M12x1.5) / max. 18 Nm (M10x1)

COUPLE DE SERRAGE: COPPIA DI SERRAGGIO:

NOMINAL VOLTAGE: NENNSPANUNG: 12 V / 24 V DC

TENSION NOMINALE: TENSIONE NOMINALE:

SWITCHING CAPACITY: SCHALTLEISTUNG: max. 30 W (BEI OHMSCHER LAST) / max. 5 W (BEI RELAIS LAST)

POUVOIR DU COUPRE: CAPACITA DELL' INTERRUZIONE:

SURFACE PROTECTION ACCORDING TO: OBERFLÄ CHENSCHUTZ NACH: JED-256-5

PROTECTION DE SURFACE SELON: PROTEZIONE DELLA SUPERFICIE CONFORME A:

General Specification: JED-334-0		Copyright WABCO®		<b>WABCO</b>	
Further Technical Data: 441 014 401 0		Date	Signature	PRESSURE SWITCH	
Doc. Code: 035	Sheet: 1 To X	2010-03-17	Biester	DRUCKSCHALTER	
General Tolerances JED-261		2010-03-17	Heinrich	INTERRUPTEUR DE PRESSION PNEUMATIQUE	
Range of Nominal Dimensions ( ± mm)		Expert		INTERRUPTORE A PRESSIONE PNEUMATICO	
Class 1)	≤ 50	> 50 ≤ 180	> 180 ≤ 400	> 400	±3°
Fine	0.5	1.0	1.5	2.0	
Medium	1.0	2.0	3.0	4.0	
Coarse	2.0	3.5	5.0	6.5	
Tapped Holes acc. JED-152		Mtss	Scale	Material No.	Date of first issue: 2006-06-06
1) Tolerance Class Applied Crossmarked		0.064 KG	1:1	441 014 401 0	Doc.Code Language Sheet
		Size	CAD System	053 ML 1/1	
		A 2	Pro/E	ECN-No.	Revision
				151928	10x C
				Techn. Resp.	Replacement for
				884 058 402 0	

100mm