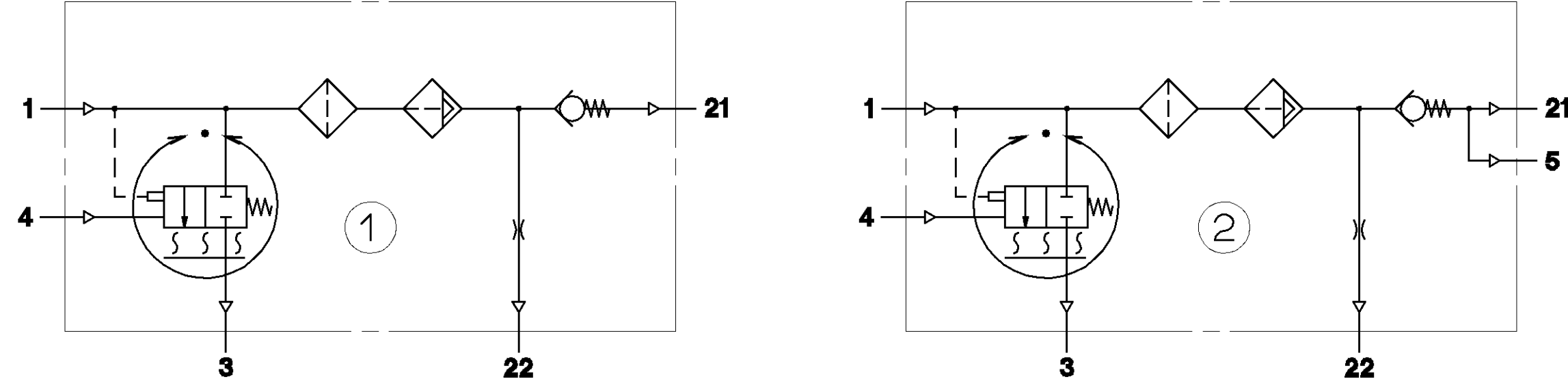
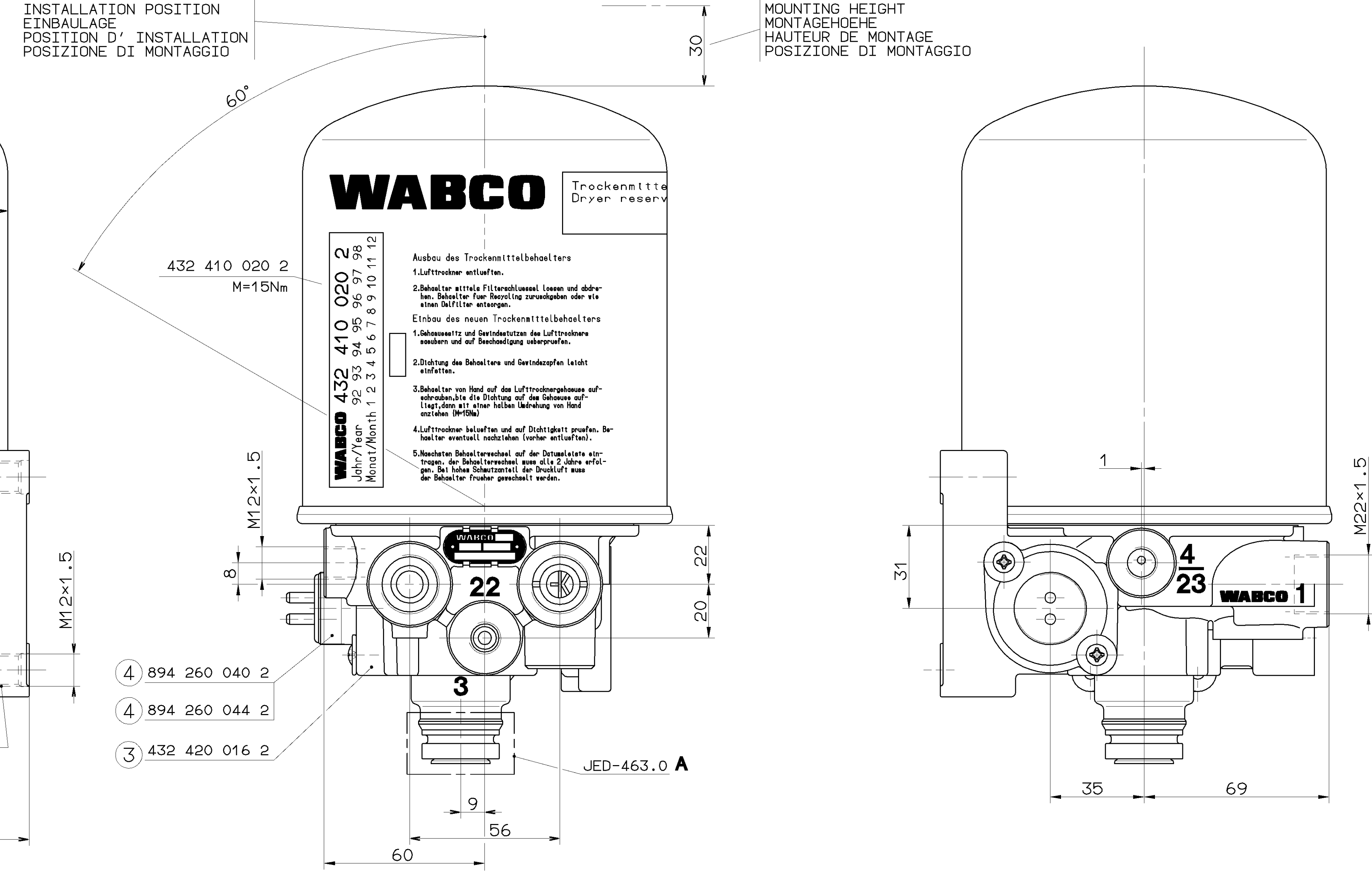
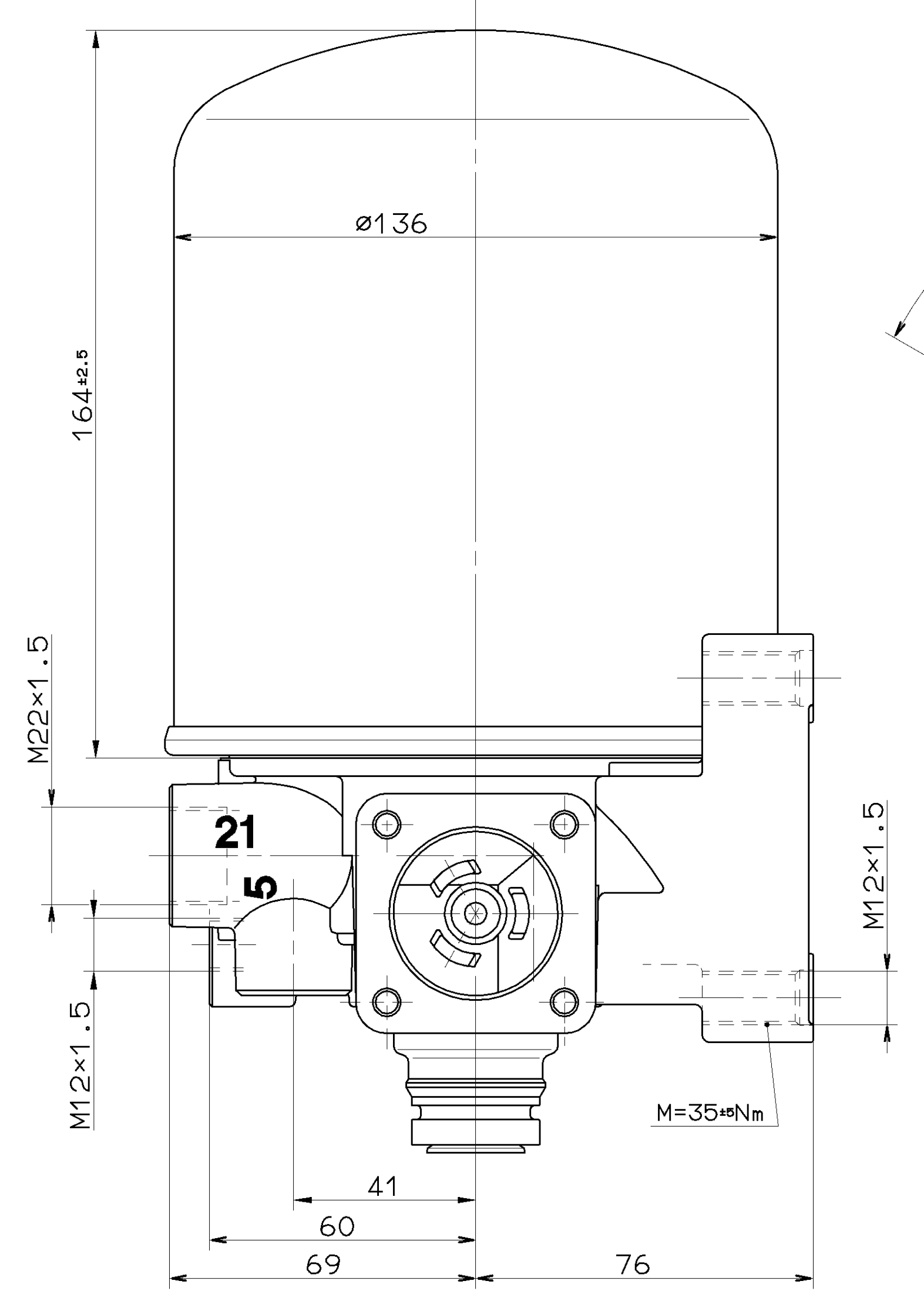
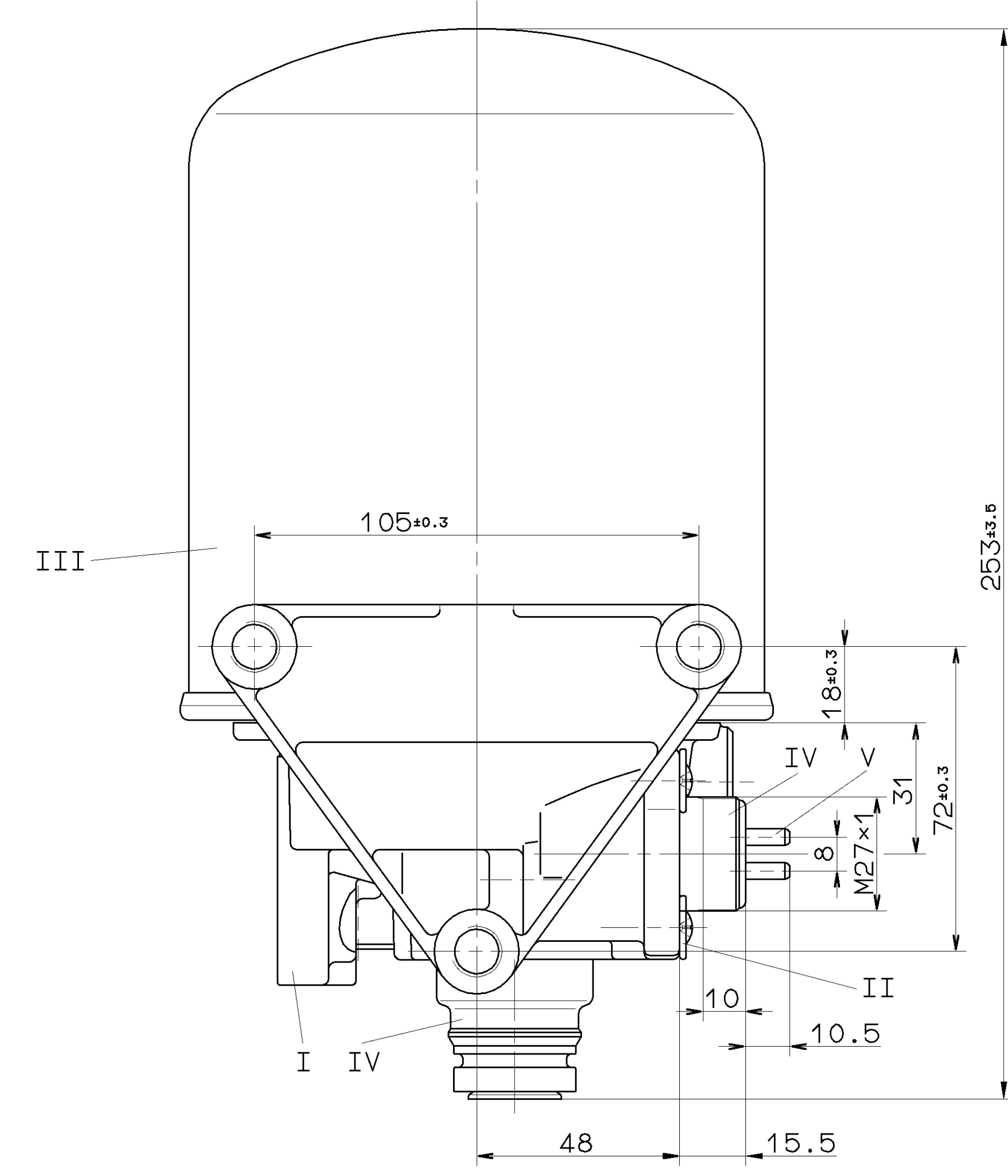


I	JED-259
II	JED-256
III	JED-471 SCHWARZ/BLACK
IV	KUNSTSTOFF
V	JED-570.656



IDENTIFICATION		①	②	③	④	⑤	BOTTOM	DRYER RESERVOIR	(kg)
WABCO	CUSTOMERS NO. KUNDEN-NR. NO CLIENT CLIENTE			BODY GERÄTGEHÄUSE CORPS CORPO	HEATING HEIZUNG CHAUFFAGE RISCALDAMENTO	SILENCER GERÄUSCHDÄMPFER SILENCIEUX SILENZIATORE	BODEN FOND FONDO	TRÖCKENMITTELBEHALTER CARTOUCHE DU DESSICATEUR CARTUCCIA ESSICANTE	MASS MASSE MASSE MASSE
432 420 000 0		×		432 420 016 2	894 260 040 2 24V==100W		A	432 410 020 2	3.90
432 420 002 0		×		432 420 016 2			A	432 410 020 2	3.87
432 420 003 0		×		432 420 016 2	894 260 044 2 12V==100W		A	432 410 020 2	3.90
432 420 008 0		×		432 420 016 2	894 260 040 2 24V==100W	432 407 012 0	A	432 410 020 2	4.04
432 420 110 0		×	×	432 420 021 2	894 260 040 2 24V==100W	432 407 012 0	A	432 410 020 2	4.04



THERMAL RANGE OF CONTINUOUS APPLICATION:  
THERMISCHER DAUERANWENDUNGSBEREICH: -40°C...+65°C  
PLAGE DE TEMPERATURE EN UTILISATION CONTINUE: -40°C...+65°C  
COMPO DI APPLICAZIONE CONTINUA:

RESISTANCE TO HEAT:  
WÄRMEBESTÄNDIGKEIT: MAX. +80°C  
RESISTANCE A LA CHALEUR: MAX. +80°C  
RESISTANZA AL CALORE:

MEDIUM: COMPRESSED AIR  
MEDIUM: DRUCKLUFT  
FLUIDE: AIR COMPRIE  
FLUIDO: ARIA COMPRESSA

WORKING PRESSURE:  
BETRIEBSDRUCK: P<sub>0</sub> max. = 13bar  
PRESSION DE SERVICE: P<sub>0</sub> max. = 13bar  
PRESSIONE D' ESERCIZIO:

MAX. PERMISSIBLE FREQUENCY  
MAX. ZULÄSSIGE FREQUENZ: 50 Hz  
MAX. ADMISSIBLE FREQUENZE  
MAX. AMMISSIBILE FREQUENZA

MAX. PERMISSIBLE ACCELERATION:  
MAX. ZULÄSSIGE BESCHLEUNIGUNG: ±10×g  
ACCELERATION MAX. ADMISSIBILE:  
ACCELERAZIONE MAX. AMMESSA:

INSTALLATION POSITION AS DRAWN  
EINBAULAGE WIE GEZEICHNET  
POSITION D' INSTALLATION SUIVANT DESSIN  
POSIZIONE DI MONTAGGIO COME DISEGNATO

TORQUE FOR CONNECTIONS: M12x1.5; M<sub>max.</sub> = 21 Nm  
ANZUGSMOMENT FUER EINSCHRAUBSTUTZEN: M14x1.5; M<sub>max.</sub> = 25 Nm  
COUPLE DE SERRAGE DES RACCORDS: M22x1.5; M<sub>max.</sub> = 53 Nm  
COPPIA DI SERRAGGIO DEI RACCORDI: M22x1.5; M<sub>max.</sub> = 53 Nm

COMBINED UNLOADER:  
DRUCKREGLER: CUT OUT PRESSURE  
REGULATEUR DE PRESSION: ABSCHALTDRUCK ≤13bar  
GRUPPO DI REGOLAZIONE: PRESSIONE D' APERT.

HEATING:  
HEIZUNG: CHAUFFAGE: RISCALDAMENTO:

CUT-IN TEMPERATURE  
EINSCHALT-TEMPERATUR: 7° ±6°C  
TEMPERATURE DE FERMETURE  
TEMPERATURA DI CHIUSURA

BATTERY VOLTAGE:  
BATTERIESPANNUNG: 24±½ V DC  
TENSION DE BATTERIE:  
TENSIONE DI BATTERIA:

POWER: 100 W WITHOUT CURRENT  
LEISTUNG: 100 W STROMLOS  
PUISSANCE: 100 W SANS COURANT  
POTENZA: 95.8 W WITH BEI AVEC CON 24 V DC

APPLIED ACROSS THE HEATER CONTACTS  
DIREKT AN DEN HEIZUNGSKONTAKTEN  
APPLIQUEE SUR LES CONTACTS DE CHAUFFAGE  
APPLICATA SULLE CONTATTI DI RISCALDAMENTO

BOTTOM BODEN FOND FONDO	PERMITTED SILENCER FREIGELEGEBENER GERÄUSCHDÄMPFER SILENCIEUX PERMIS SILENZIATORE AMMESSO
A	432 407 012 0

GENERAL SPECIFICATION: JED-254		DATE: 09/01/96		SIGNATURE: [Signature]	
FURTHER TECHNICAL DATA:		DATE: 09/01/96		SIGNATURE: [Signature]	
DES. CODE:	SHEET: 10	GENERAL TELENUMBER: 96-02-13 336110		WABCO	
RANGE OF NOMINAL DIMENSIONS (A = 1)		96-02-13 336110		AIR DRYER LUFTTROCKNER DESSICATEUR D' AIR ESSICCATORE D' ARIA	
CLASS 1)	250 310 360 420 480	96-02-13 336110		PRODUCT IDENTIFICATION NO.:	
FINE	0,5 1,0 1,5 2,0	96-02-13 336110		432 420 910 0	
MEDIUM	1,0 2,0 3,0 4,0	96-02-13 336110		DOC. CODE: 653	
COARSE	2,0 3,5 5,0 6,5	96-02-13 336110		SHEET: 1/1	
TAPPED HOLES ACC. ISO 4039 / JED-192	Ø30-Ø40	96-02-13 336110		SHAPE CODE: 432 420 910 0	
TOLERANCE CLASS APPLIED DIMENSIONS		96-02-13 336110		REPLACEMENT FOR DE 87-56-04	
96-02-13 336110		96-02-13 336110		96-02-13 336110	