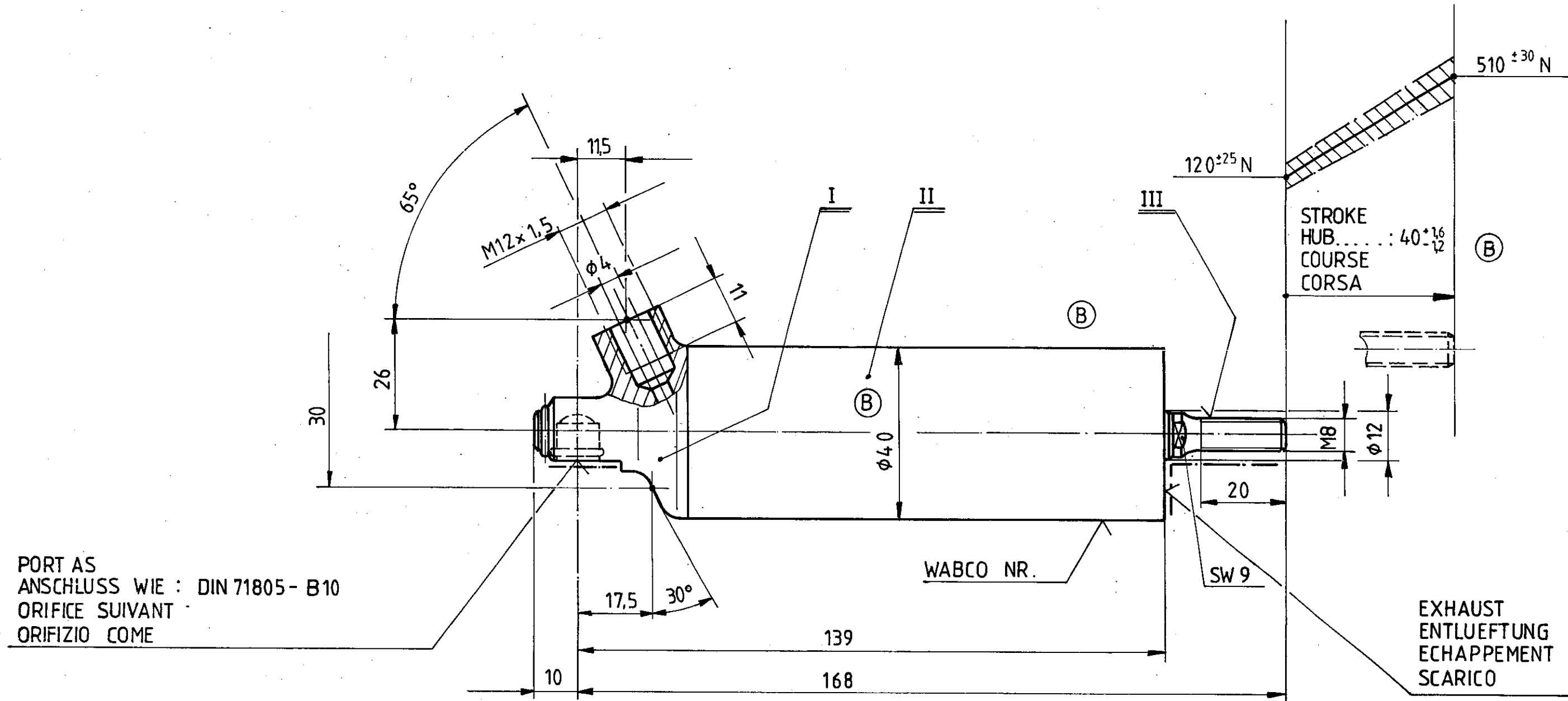


	MATERIAL MATERIE MATERIALE	SURFACE PROTECTION OBERFLAECHENSCHUTZ PROTECTION DE SURFACE PROTEZIONE SUPERFICI
I	Ms	DIN 5096 - Cu / Ni 12 Crf
II	Al	ELOXIERT
III	X 12 Cr Mo	

SPRING DIAGRAM
FEDERDIAGRAMM
DIAGRAMME DE RESSORT
DIAGRAMMA DI MOLLA

TORQUE
ANZUGSMOMENT.....: 23 ± 2 Nm
COUPLE DE SERRAGE
COPPIA DI SERRAGGIO

TWIST-OFF TORQUE
ABDREHMOMENT.....: ≥ 30 Nm



PORT AS
ANSCHLUSS WIE : DIN 71805 - B10
ORIFICE SUIVANT
ORIFIZIO COME

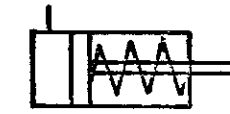
EXHAUST
ENTLUEFTUNG
ECHAPPEMENT
SCARICO

THERMAL RANGE OF CONTINUOUS APPLICATION FROM -35°C TO $+80^{\circ}\text{C}$
THERMISCHER ANWENDUNGSBEREICH -35°C BIS $+80^{\circ}\text{C}$
GAMME D'APPLICATION THERMIQUE DE -35°C A $+80^{\circ}\text{C}$
COMPO DI APPLICAZIONE TERMICA DE -35°C A $+80^{\circ}\text{C}$

WORKING PRESSURE
BETRIEBSDRUCK.....: MAX. $p_e = 11,2$ bar
PRESSION DE SERVICE
PRESSIONE DI ESERCIZIO

MEDIUM.....: COMPRESSED AIR
MEDIUM.....: DRUCKLUFT
FLUIDE.....: AIR COMPRIME
FLUIDO.....: ARIA COMPRESSA

FREE FROM PAINT
LACKFREI
SANS PEINTURE
SENZA VERNICE



FURTHER TECHNICAL DATA SEE		L	COPYRIGHT		WABCO
IDENTIFICATION No.:		K	DATE	SIGNATURE	
CODE FOR DOCUMENT: 605 SHEET: TO		J	91-07-26	2. Pistit	ASR - CYLINDER ASR - STELLZYLINDER $\phi 35 \times 40$ ASR - CYLINDRE ASR - CILINDRO
GENERAL TOLERANCES		H	CHECKED		
RANGE OF NOMINAL DIMENSIONS (2 mm)		G	91-07-30		
CLASS		F	STANDARDIZATION		
		E	91-08-23		PRODUCT IDENTIFICATION NO.
		D	MASS	SCALE	421 442 017 0
		C	kg	1:1	CODE FOR DOCUMENT
		B	4 8 667	140	605
		A	91-07-26		1/1
TAPPED HOLES ACC. ISO 4039 / JED-152			SIZE	T.R.1	REPLACEMENT FOR
TOLERANCE CLASS APPLIED CROSSMARKED			A 2	140	621 442 017 0
DCN-NO. REV. DATE					OF 90-07-19